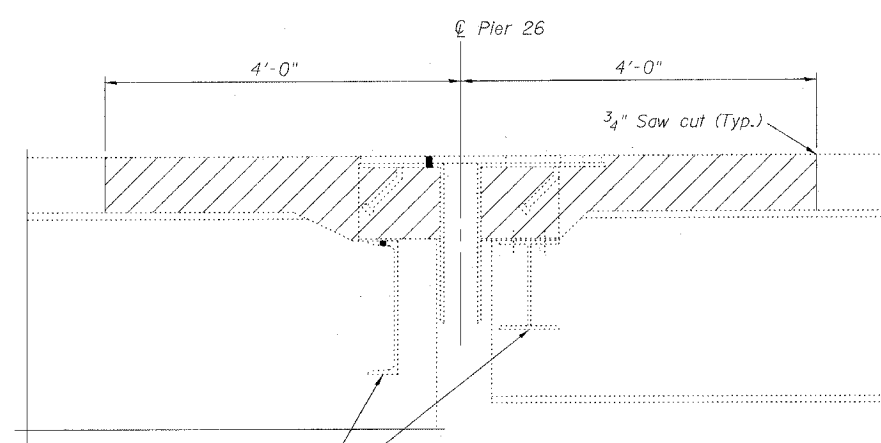
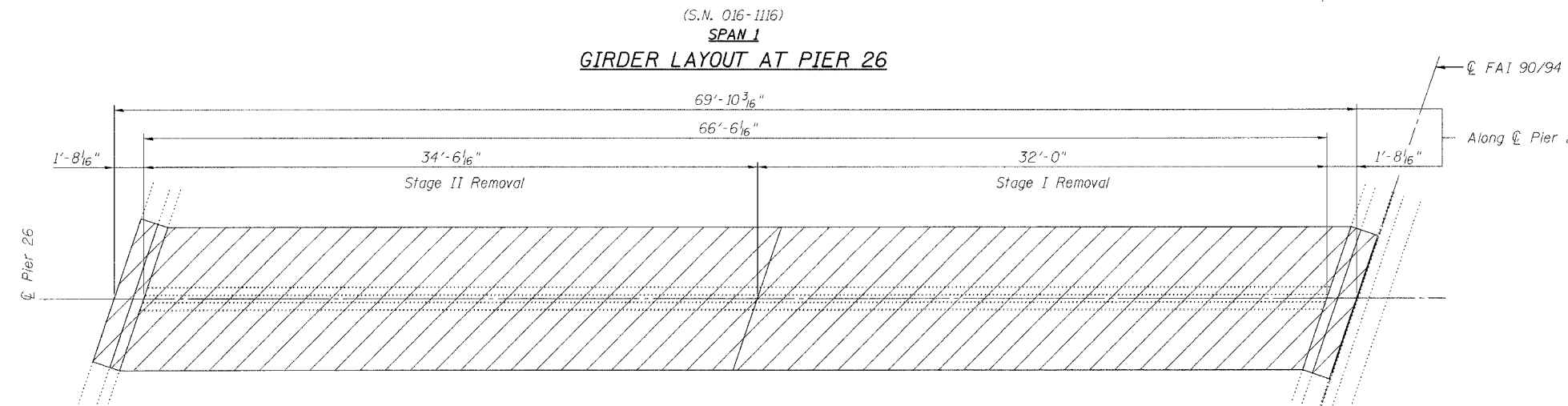
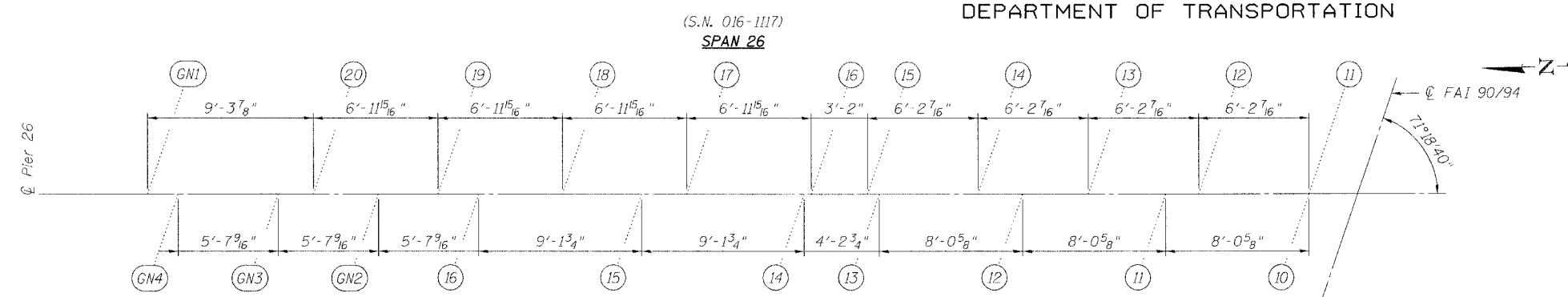


STATE OF ILLINOIS  
DEPARTMENT OF TRANSPORTATION

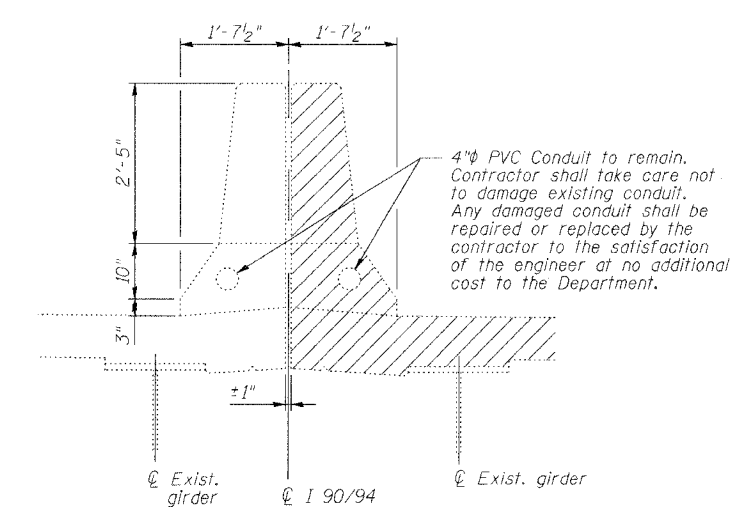
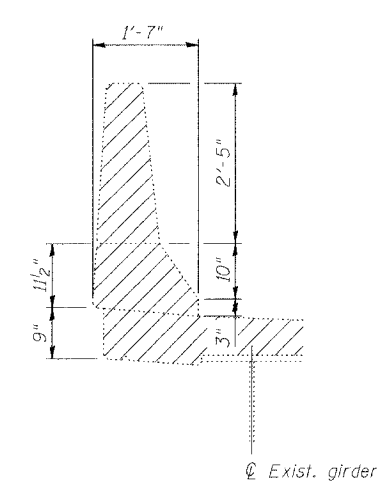
ROUTE NO.	SECTION	COUNTY	DISTRICT	SHEET	SHEET NO. 2 8 SHEETS
FAI 90/94	*	COOK	93	66	
FED. ROAD DIST. NO.	ILLINOIS	FED. AID PROJECT			

\* 2005 - 008F  
Contract #62919



Note:  
Any reinforcement bars that are damaged during concrete removal operations shall be repaired or replaced using an approved bar splicer or anchorage system. Cost included with "Concrete Removal".

Existing finger plates, stools, drainage trough and hardware shall be removed. Cost included with "Concrete Removal".



Notes:  
Hatched Area indicates "Concrete Removal". Existing transverse bars in the deck are placed at right angles to  $\perp$  Roadway. Existing transverse bars extending into removal areas shall be cut to miss the new finger joint, cleaned and incorporated into the new construction.  
Longitudinal reinforcement extending into removal areas shall be cleaned, straightened and incorporated into the new construction except as noted on Section A-A on Sheet 5.

REVISIONS	
NAME	DATE

ILLINOIS DEPARTMENT OF TRANSPORTATION  
**FINGER PLATE EXPANSION JOINT REMOVAL DETAILS**  
F.A.I. ROUTE 90/94 NORTHBOUND (DAN RYAN EXPRESSWAY) OVER 28th ST. TO S. STEWART ST.  
COOK COUNTY  
S.N. 016-1117 - PIER 26

SCALE: VERT. HORIZ.  
DATE: 2/17/05

DRAWN BY: HEBERLING  
DESIGNED BY: SANFORD  
CHECKED BY:

GREENE & BRADFORD, INC.  
OF SPRINGFIELD  
CONSULTING ENGINEERS  
PROFESSIONAL ENGINEERS  
ILLINOIS LICENSE NO. 04286-W03-REM  
PROJECT 04286-W03  
6/17/05-MML

FILE NAME = \$FILE\$  
PLOT SCALE = \$PLOTSCALE\$  
PLOT TIME = \$PLOTTIME\$  
OPERATOR = \$OPERATOR\$