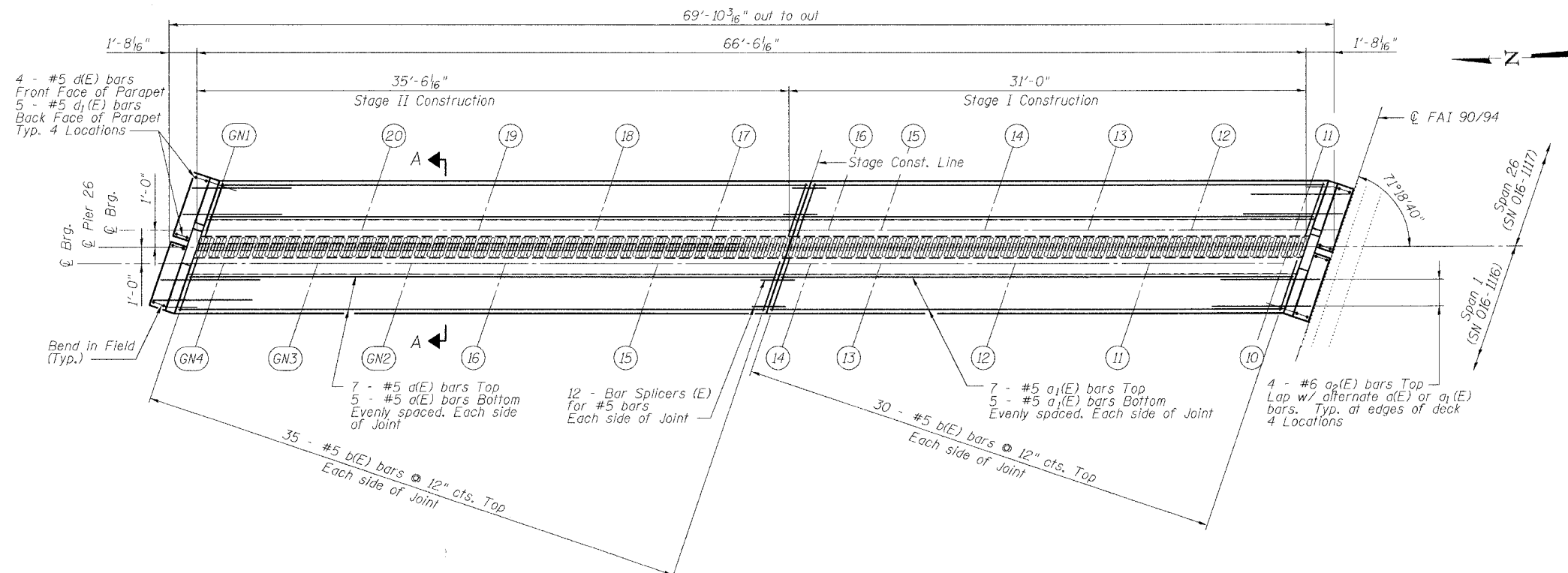


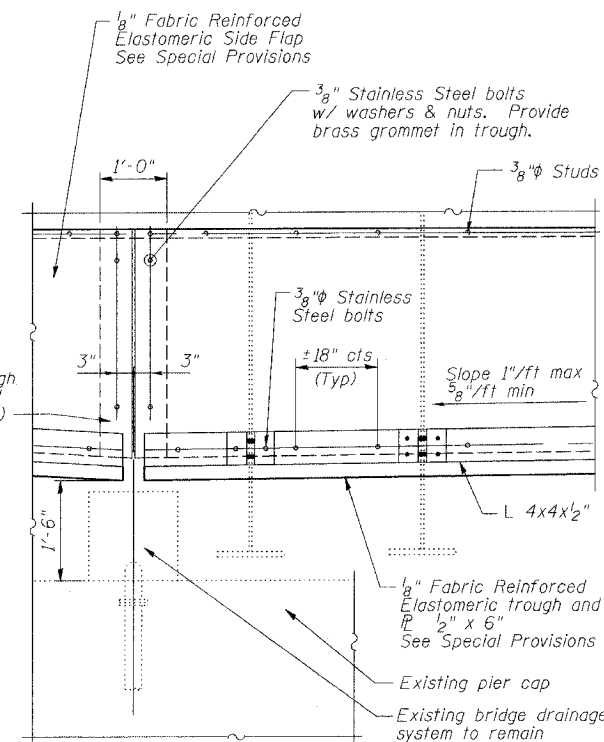
STATE OF ILLINOIS
DEPARTMENT OF TRANSPORTATION

ROUTE NO. FAI 90/94	SECTION *	COUNTY COOK	TOTAL SHEETS 93	SHEET NO. 67	SHEET NO. 3 8 SHEETS
FED. ROAD DIST. NO.		ILLINOIS	FED. AID PROJECT		

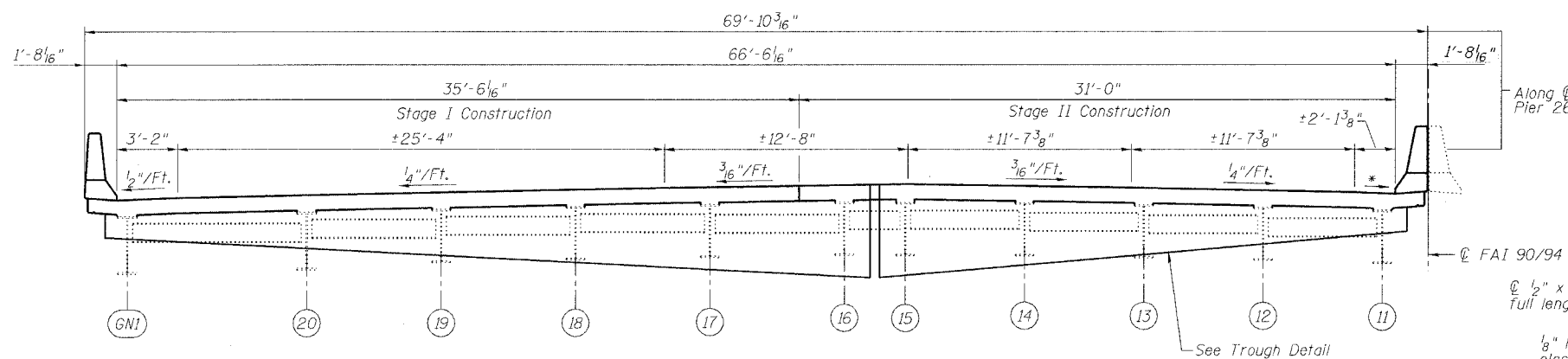
* 2005 - 008F
Contract #62919



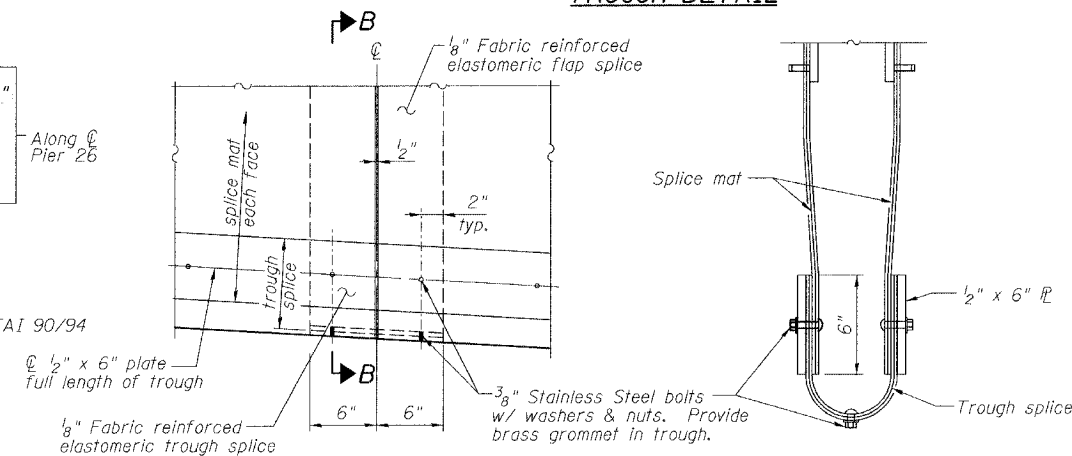
JOINT RECONSTRUCTION PLAN



TROUGH DETAIL



ELEVATION (LOOKING EAST)
(Showing Span 26 Configuration)



TROUGH SPlice DETAIL

SECTION B-B

Notes:

1. For Parapet Details and Superstructure Bill of Material, see Sheet 5 of 8.
2. For Section A-A, see Sheet 4 of 8.
3. Deck cross slopes shown are at right angles to \bar{C} Rowy.

REVISIONS	
NAME	DATE

ILLINOIS DEPARTMENT OF TRANSPORTATION
PIER 26 JOINT DETAILS
F.A.I. ROUTE 90/94 NORTHBOUND (DAN RYAN EXPRESSWAY)
OVER 28th ST. TO S. STEWART ST.
COOK COUNTY
S.N. 016-1117 - PIER 26

SCALE: VERT. _____
HORIZ. _____
DATE: 2/17/05
DRAWN BY: HEBERLING
DESIGNED BY: SANFORD
CHECKED BY: _____
COMPUTER FILE NO.
04286-W03-PJ1
PROJECT 04286-W03
6/17/05-MML

FILE NAME = sfiles
L = sfiles
PLOT DATE = 6/21/2005
PLOT TIME = 3:02:43 PM
OPERATOR = michelle