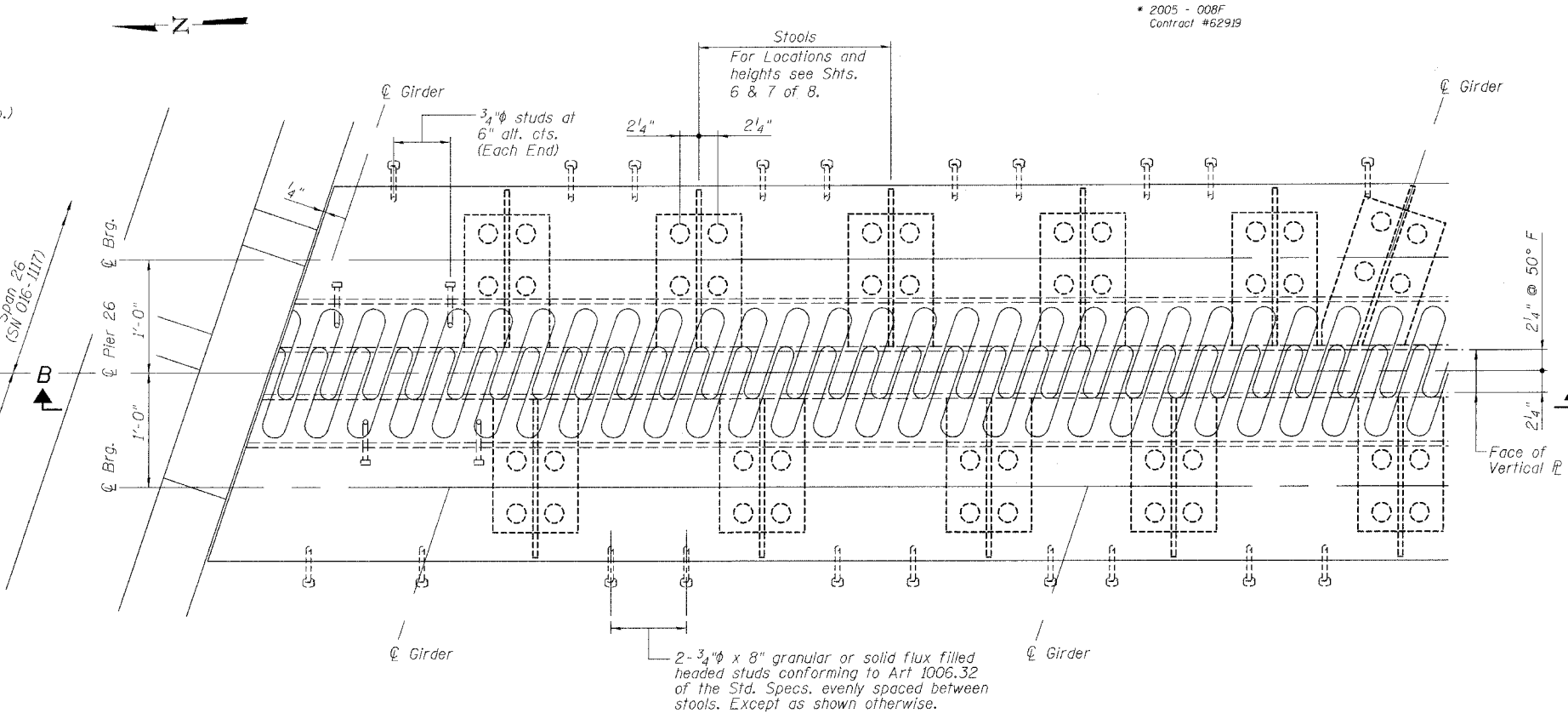
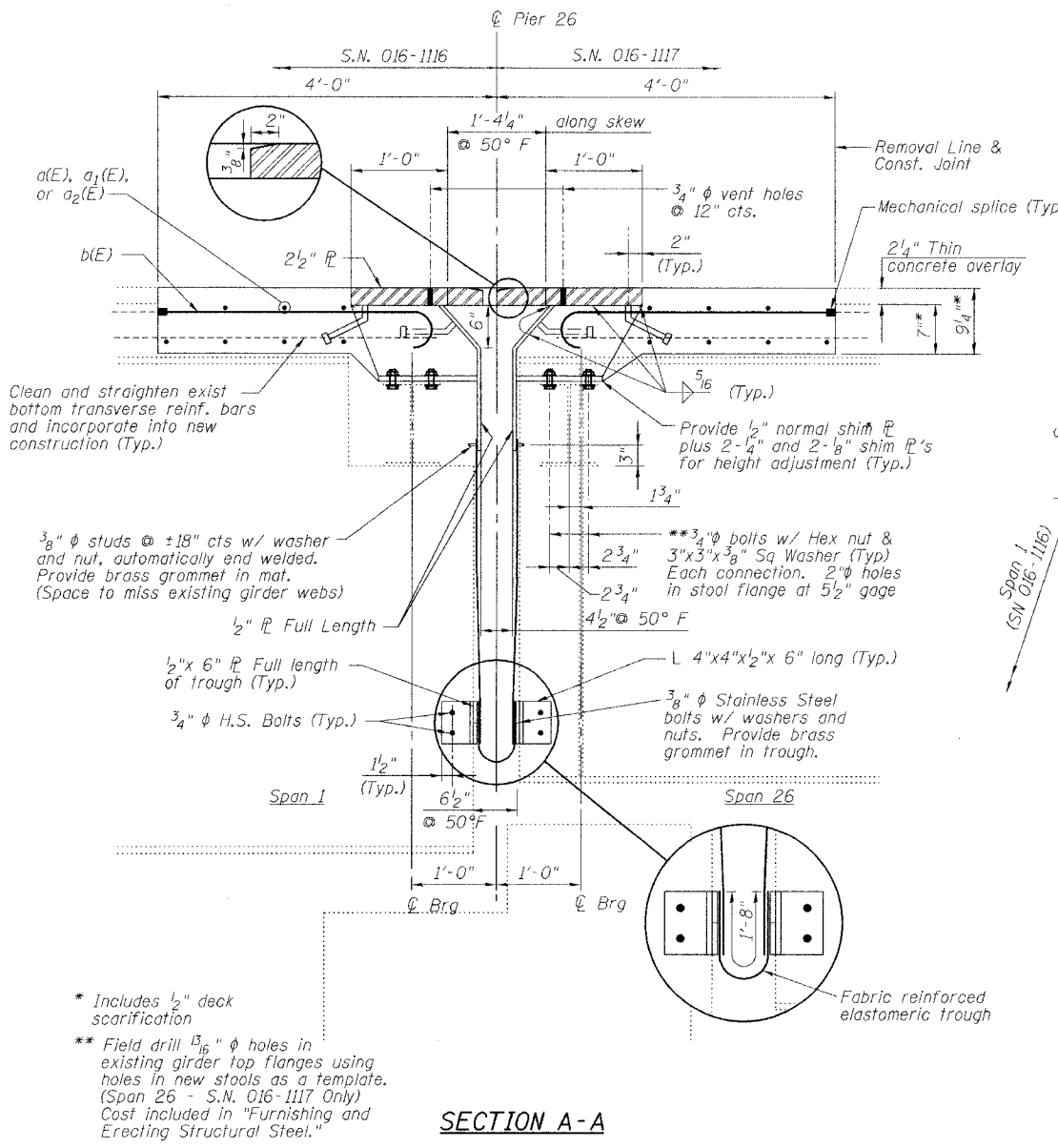


STATE OF ILLINOIS
DEPARTMENT OF TRANSPORTATION

ROUTE NO.	SECTION	COUNTY	TOTAL SHEETS	SHEET NO.	SHEET NO. 4
FAI 90/94	*	COOK	93	68	8 SHEETS
FED. ROAD DIST. NO.	ILLINOIS	FED. AID PROJECT			

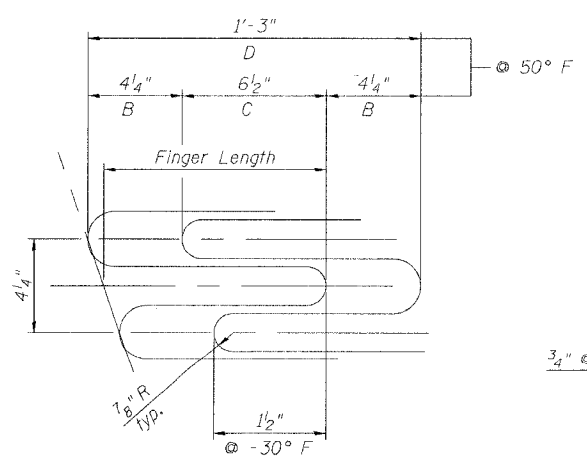
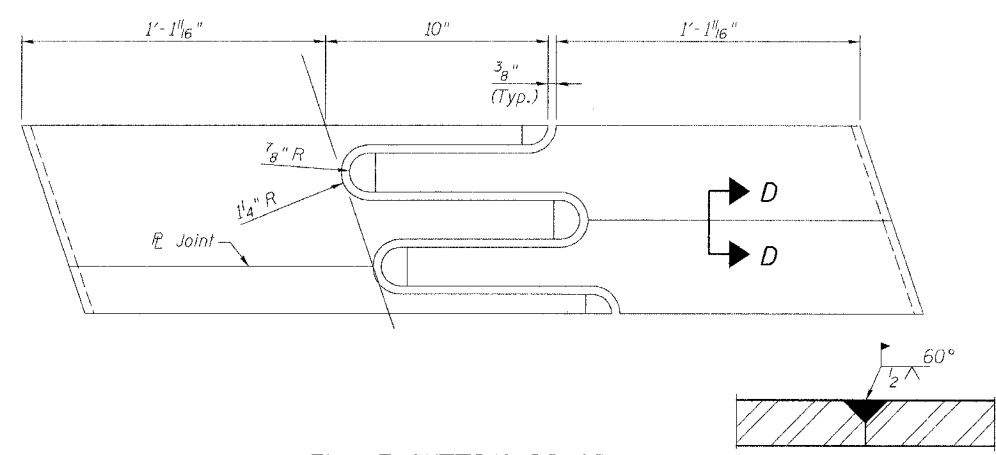
* 2005 - 008F
Contract #62919



PLAN

NOTES

- The Contractor shall bolt the Stools of the Fingerplate Joint Assembly to the top of existing girders on the Span 26 side only, as shown.
- Stainless steel bolts, washers and nuts shall meet the requirements of ASTM A193.
- The furnishing of all necessary hardware, stainless steel bolts, studs and washers, plates and angles shall be included with "Furnishing Structural Steel".
- For Section B-B, see Sheet 5 of 8.



ILLINOIS DEPARTMENT OF TRANSPORTATION
PIER 26 JOINT DETAILS
F.A.I. ROUTE 90/94 NORTHBOUND (DAN RYAN EXPRESSWAY)
OVER 28th ST. TO S. STEWART ST.
COOK COUNTY
S.N. 016-1117 - PIER 26

REVISIONS	
NAME	DATE

SCALE: VERT. DRAWN BY: HEBERLING
HORIZ. DESIGNED BY: SANFORD
DATE: 2/17/05 CHECKED BY: -

GREENE & BRADFORD, INC.
OF SPRINGFIELD
CONSULTING ENGINEERS
REGISTERED PROFESSIONAL ENGINEERS
PROFESSIONAL SEAL NO. 04286-W03
1001 W. 11th St., Springfield, IL 62761-1001

COMPUTER FILE NO.
04286-W03-PPJ
PROJECT 04286-W03
6/17/05-MML

FILE NAME = \$FILE\$
PLOT SCALE = \$PLOTSCALE\$
PLOT TIME = \$PLOTTIME\$
PLOT OPERATOR = \$PLOTOPERATOR\$