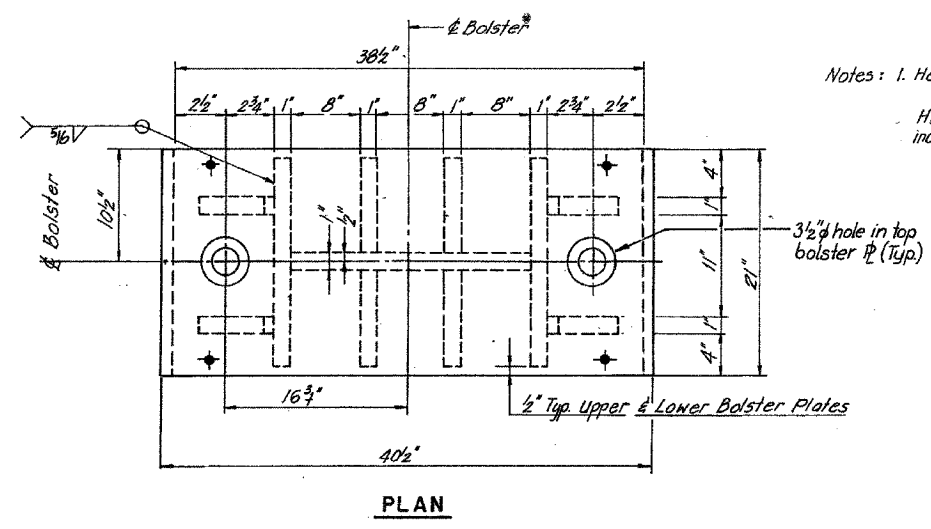
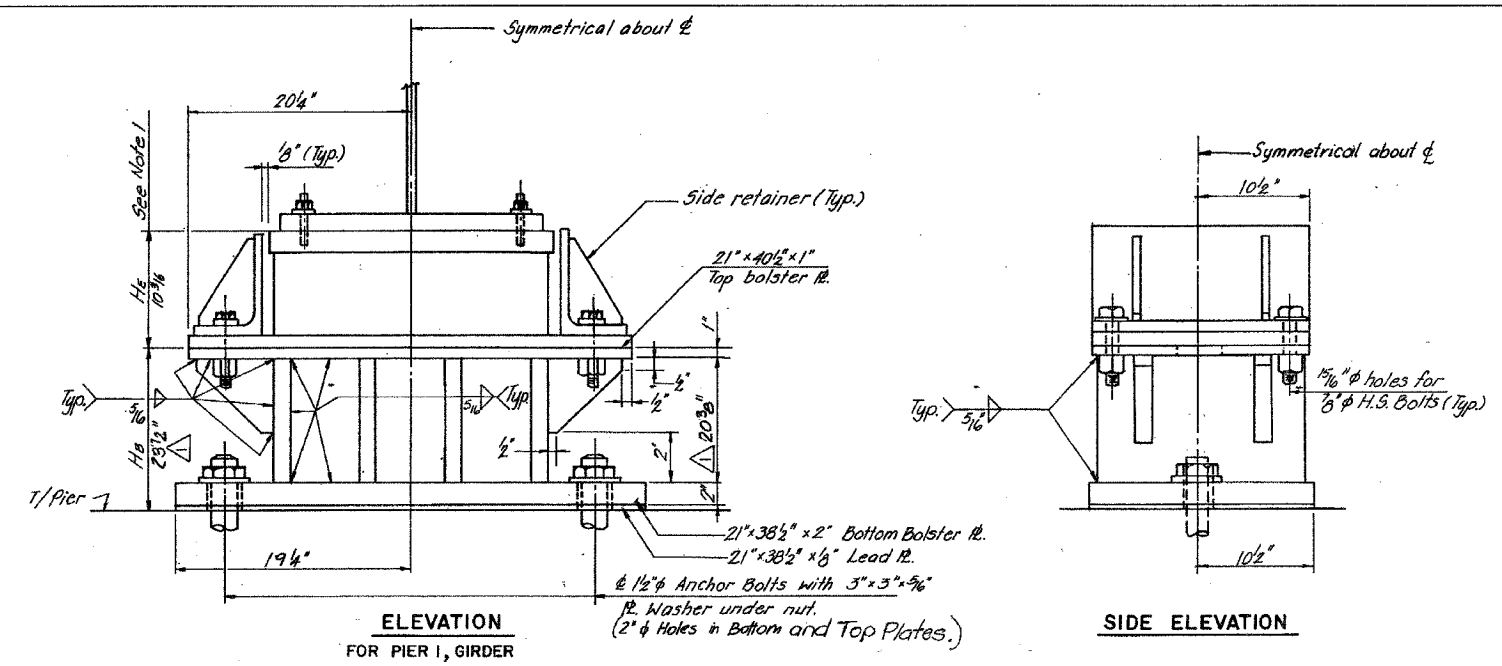
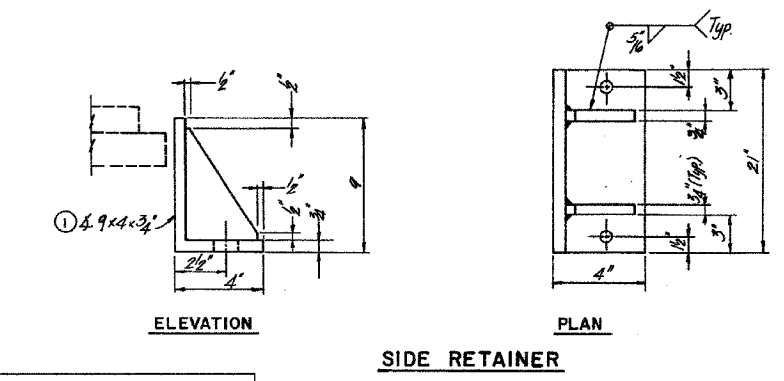


F.A.I.	SECTION	COUNTY	TOTAL SHEETS	SHEET NO.
94/90	2005-008F	COOK	93	93
STA.		TO STA.		
FED. ROAD DIST. NO.	ILLINOIS	FED. AID PROJECT		
62919				



Notes: 1. H<sub>a</sub> - Height of Bearing Assembly  
H<sub>b</sub> - Height of Bolster Assembly including 8" Lead Plate.



① Equivalent welded Plates will be allowed in lieu of rolled Angles with Stiffeners. ⚠

**BOLSTER SCHEDULE**

STRUCTURE NO.	PIER LOCATION	GIRDER NO.	NO. REQ'D	BRG. TYPE	REMARKS
016-1116	1	4N-2AN-2AN-1	3	II	

ALL MATERIALS SHOWN ON THIS SHEET ARE FURNISHED UNDER A SEPARATE SUPPLY CONTRACT (SECTION 1988-004 I), UNLESS NOTED OTHERWISE.

SHEET BRG 35 OF 51

STATE OF ILLINOIS  
DEPARTMENT OF TRANSPORTATION  
E.A.J. ROUTE 90/94 (DAN RYAN EXPRESSWAY)  
SECTION 1985-0775-R - COOK COUNTY  
N.S. MAINLINE RECONSTRUCTION  
BEARINGS - STRUCTURE NO. 016-1116  
BOLSTER DETAILS

Scale: None  
Date: AUGUST, 1988  
Drawn By: D.C.  
Checked By: J.S.  
ENVIRODYNE ENGINEERS INC.  
Chicago, Illinois

REVISIONS	NAME	DATE

ILLINOIS DEPARTMENT OF TRANSPORTATION  
F.A.I. 94/90 (DAN RYAN EXPRESSWAY)  
FABRICATION CONTRACT  
NB DAN RYAN ELEVATED BRIDGE  
REPAIR FROM 15TH TO 28TH STREETS  
EXISTING PLAN INFORMATION SN 016-1116

SCALE: NTS  
DATE: 5/23/2005  
DRAWN BY: BDC  
CHECKED BY: BLU

FOR INFORMATION ONLY

⚠ 12-1-88

BOWMAN, BARRETT & ASSOCIATES INC.  
CONSULTING ENGINEERS  
130 EAST RANDOLPH STREET SUITE 2656 CHICAGO, ILLINOIS 60601  
JOB NO. 640