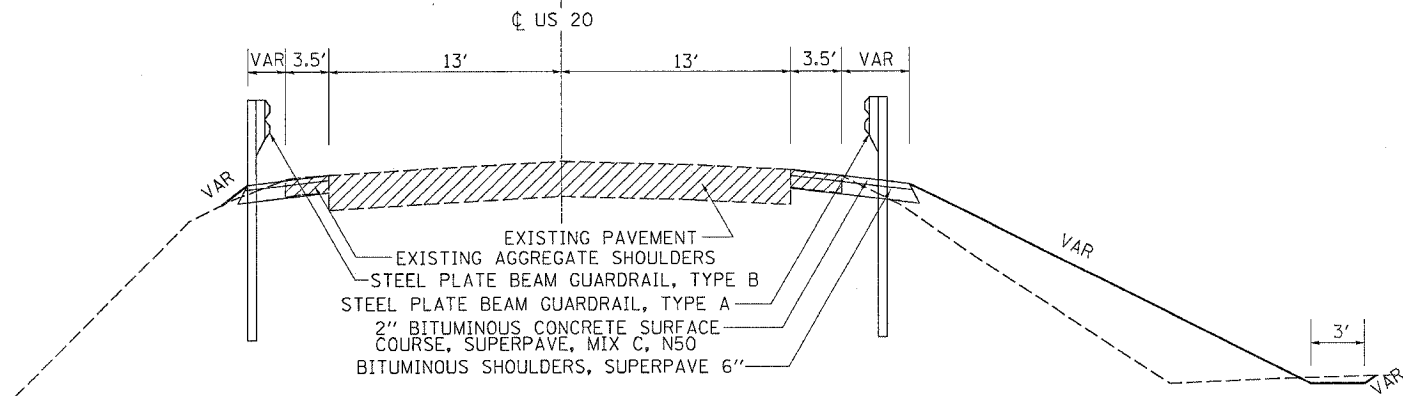


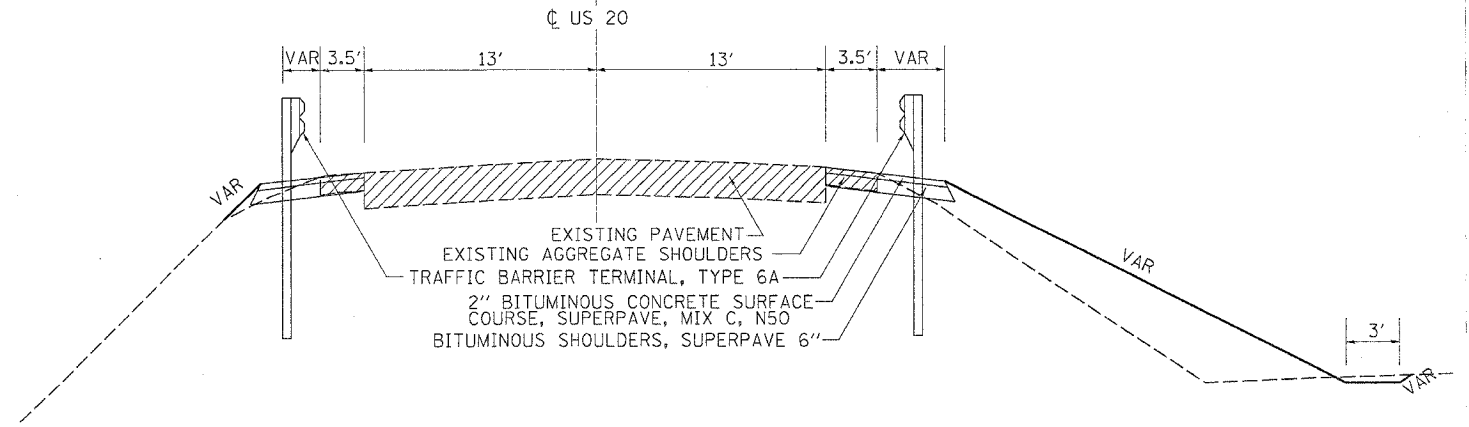
F.A.P. RTE.	SECTION	COUNTY	TOTAL SHEETS	SHEET NO.
301	22BR-1	STEPHENSON	30	7
STA.		TO STA.		
FED. ROAD DIST. NO.		ILLINOIS FED. AID PROJECT		

TYPICAL SECTIONS

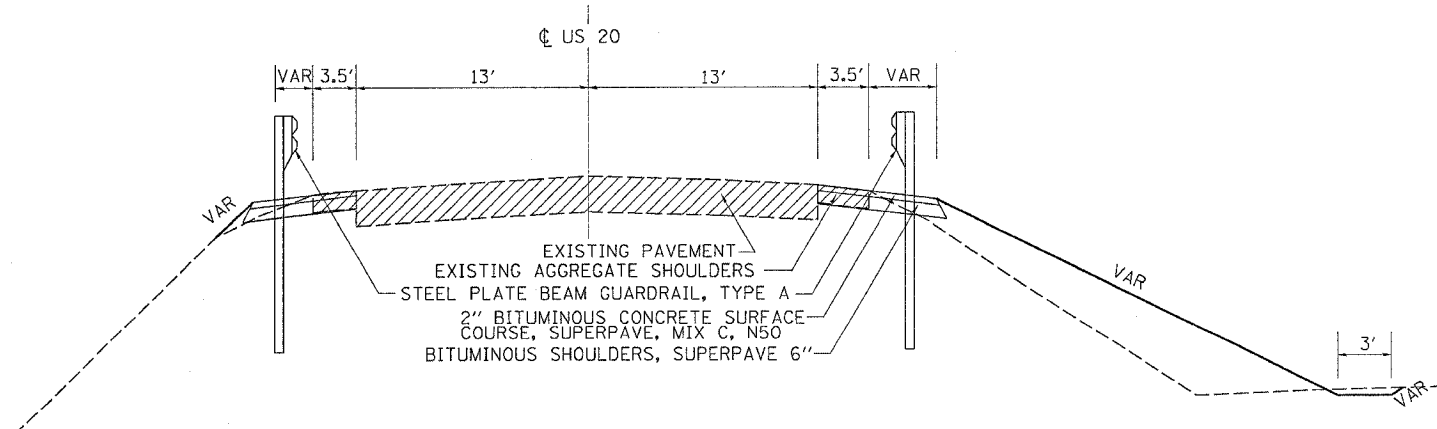
US 20
STA 8+19 TO STA 9+83



US 20
STA 9+83 TO STA 10+16
STA 10+87 TO STA 11+20

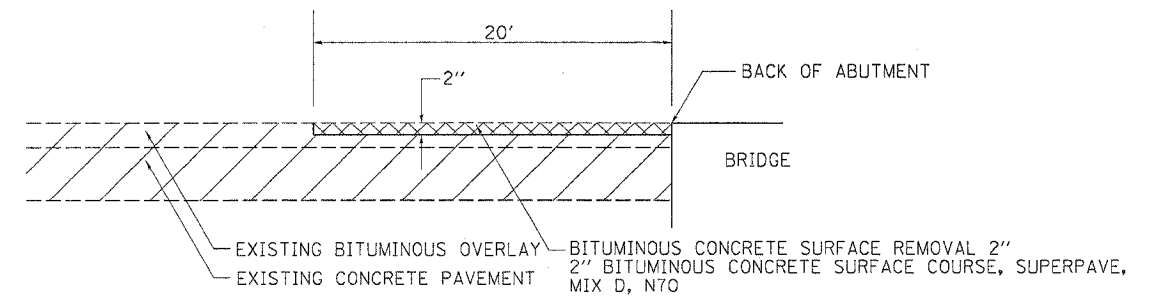


US 20
STA 11+20 TO STA 14+12



BITUMINOUS SURFACE REMOVAL - BUTT JOINT

STA 9+96 TO STA 10+16
STA 10+87 TO STA 11+07



• BITUMINOUS SURFACE COURSES CALCULATED AT 112 LB/SY/IN

PLOT DATE = Wed Jul 96 10:52:29 2003
 FILE NAME = c:\p\projects\22BR-1\22BR-1.dgn
 PLOT SCALE = 50.0000 / IN.
 USER NAME = meg111