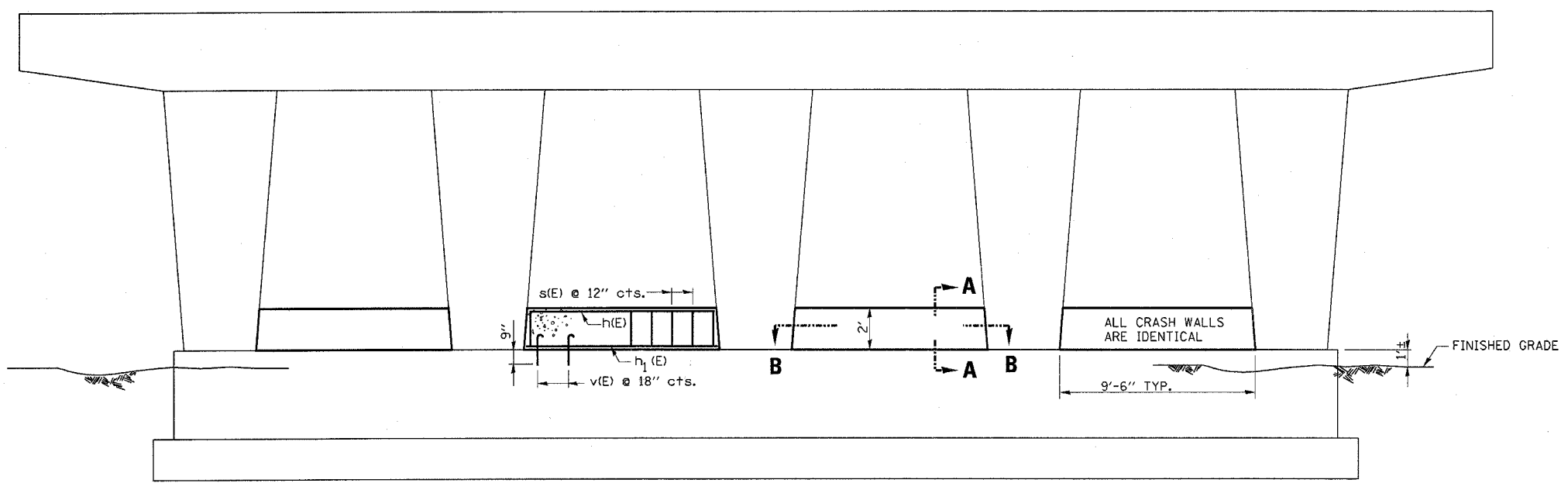
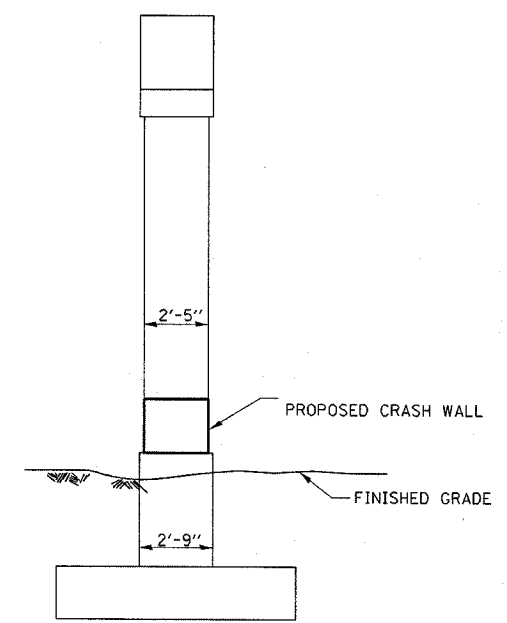


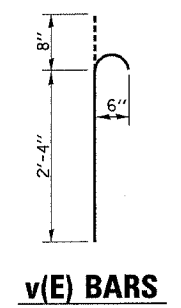
F.A.I. RTE.	SECTION	COUNTY	TOTAL SHEETS	SHEET NO.
80	(50-4HBR)	LOGSALLE	4	3
STA. TO STA.		FED. ROAD DIST. NO. 4 ILLINOIS FED. AID PROJECT		



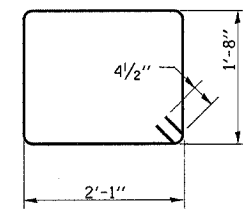
**ELEVATION VIEW**



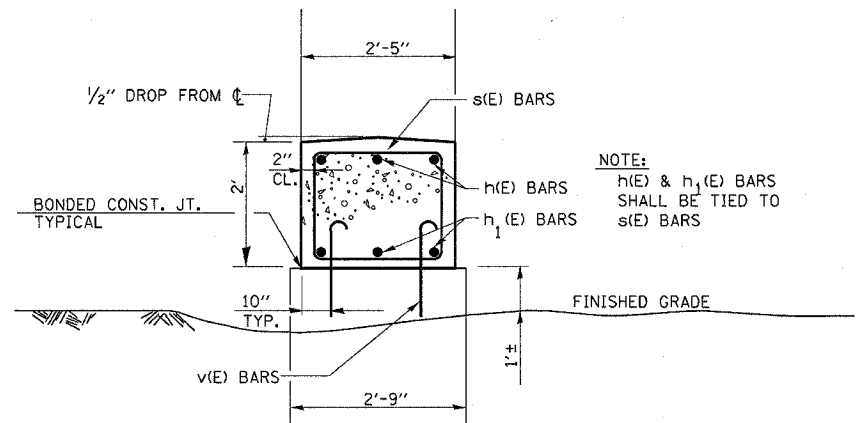
**END VIEW**



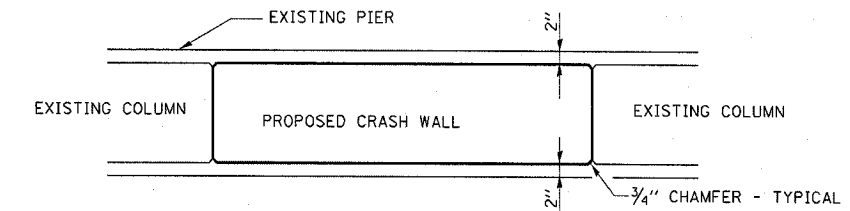
**v(E) BARS**



**s(E) BARS**



**SECTION A-A**



**SECTION B-B**

\* EPOXY GROUTING TO BE DONE IN ACCORDANCE WITH ARTICLE 584 OR THE STANDARD SPECIFICATIONS. COST INCLUDED WITH REINFORCEMENT BARS, EPOXY COATED.

**NOTES**

- ALL EXPOSED EDGES SHALL HAVE A 3/4 " CHAMFER.
- \* V (E) BARS SHALL BE EPOXY GROUTED AND EXTEND A MIN. OF 9" INTO THE EXISTING CONCRETE IN 1" Ø HOLES.
- CONTRACTOR SHOULD EXERCISE CARE NOT TO DAMAGE THE EXISTING REINFORCEMENT WHILE DRILLING HOLES.

**SCHEDULE OF QUANTITIES**

LOCATION	BAR	NUMBER	SIZE	LENGTH (ft-in)	REINFORCED BARS EPOXY COATED (pounds)	CONCRETE STRUCTURE (cubic yds)
SN 050-0216	v (E)	48	#6	3'-0"	219	
	h (E)	12	#5	8'-10"	112	
	h <sub>1</sub> (E)	12	#5	9'-2"	116	
	s (E)	40	#4	8'-3"	223	
TOTAL					670	6.8

REVISIONS	
NAME	DATE

ILLINOIS DEPARTMENT OF TRANSPORTATION  
**CRASH WALL BARRIER  
 DETAILS AND SCHEDULE  
 SN. 050-0216**

DRAWN BY MWW CHECKED BY