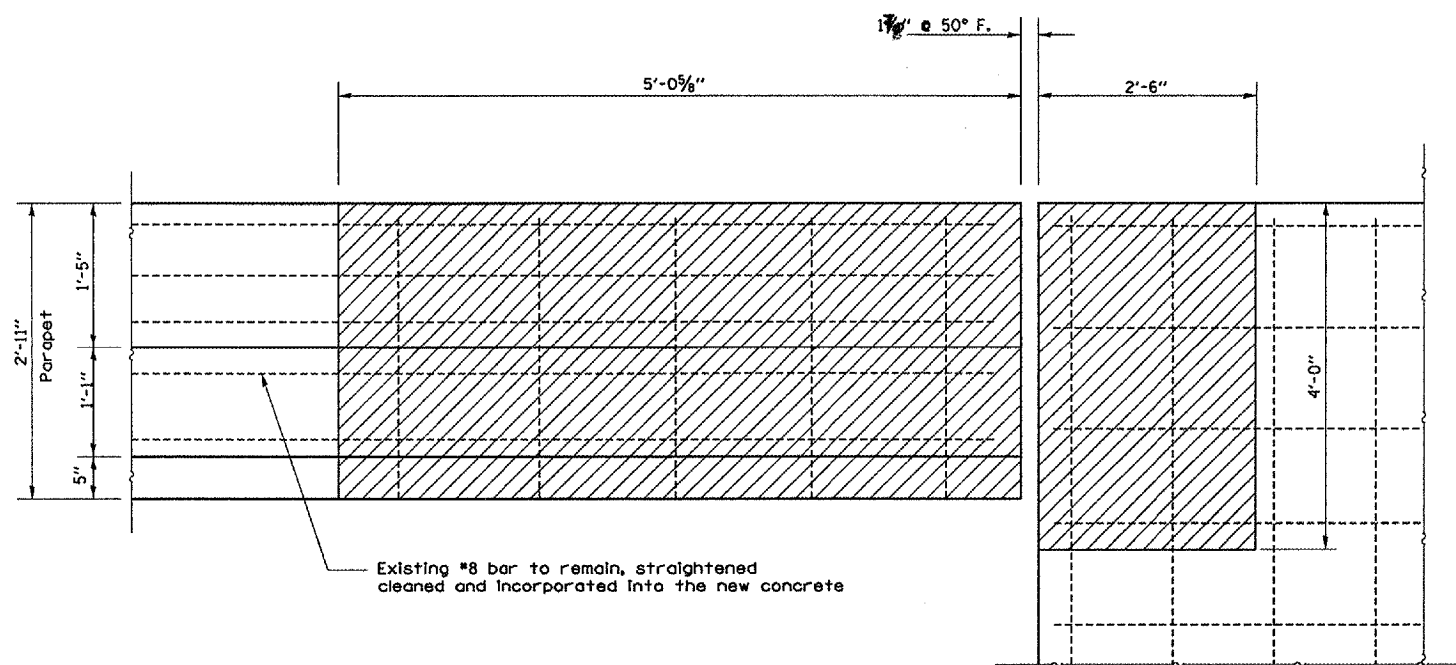
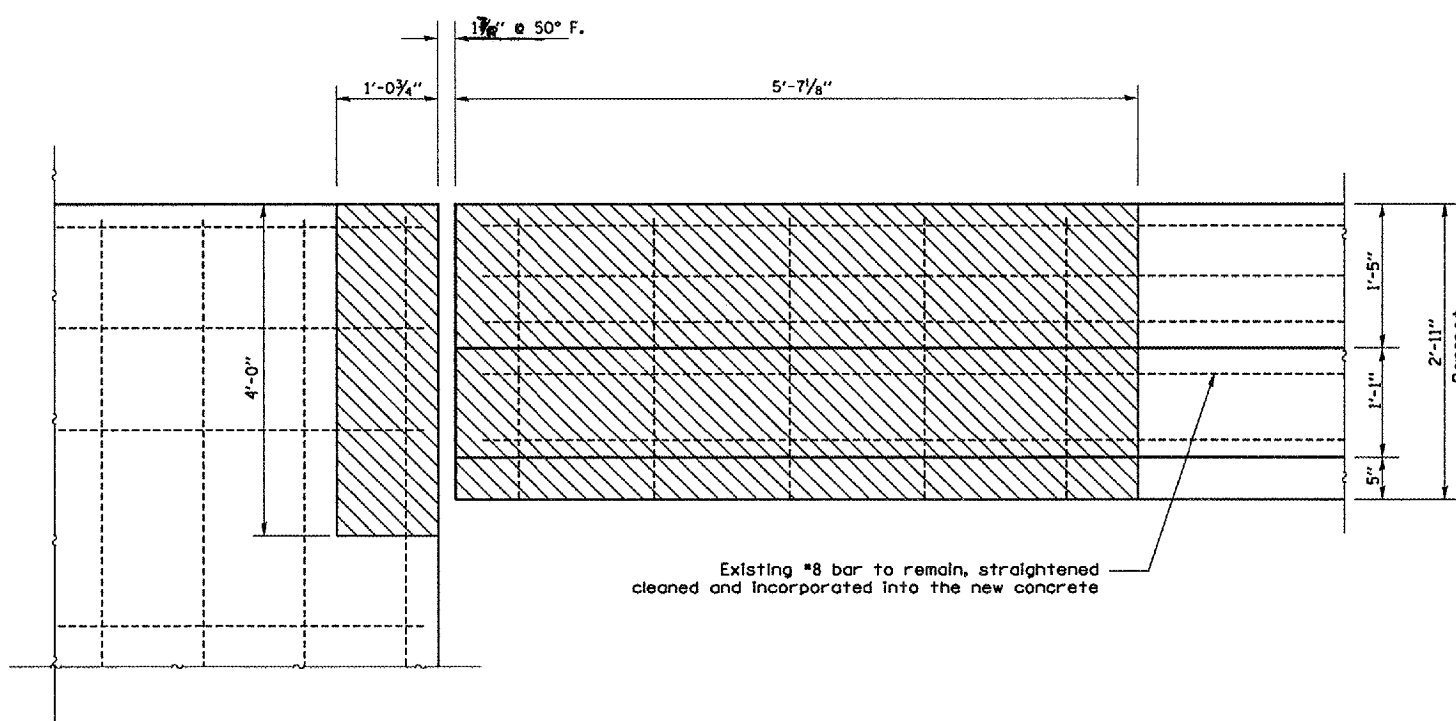


F.A.I. RTE.	SECTION	COUNTY	TOTAL SHEETS	SHEET NO.
412	(50-5B)I-1	LASALLE	29	7
FED. ROAD DIST. NO. ILLINOIS		STATE AID PROJECT		

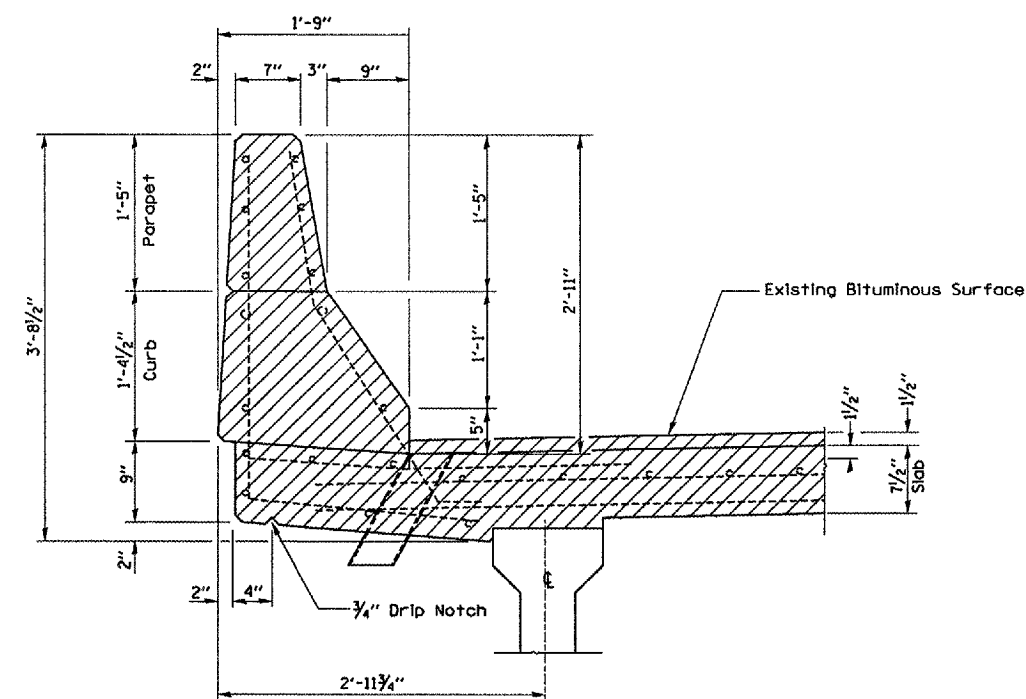


ELEVATION AT WEST PARAPET

CONCRETE REMOVAL



ELEVATION AT EAST PARAPET



Minimum Bar Lap

- #4 1'-8"
- #5 2'-2"
- #6 2'-7"
- #7 3'-5"
- #8 4'-6"

SECTION B-B

@ Rt <'s

SHEET 2 OF 2

REVISIONS	
NAME	DATE

ILLINOIS DEPARTMENT OF TRANSPORTATION
CONCRETE REMOVAL-NORTH ABUT. PARAPET DETAILS
 S.N. 050-0174
 F.A.I. 412 NORTHBOUND
 OVER C. & N.W. RAILROAD
 SECTION (50-5B)I-1
 STA. 1216+43.45
 DATE 04/24/2005
 DRAWN BY RW
 CHECKED BY

MARCH 30, 2005
 C:\PROJECTS\CMA\06\CM303\DATA\LS.DGN