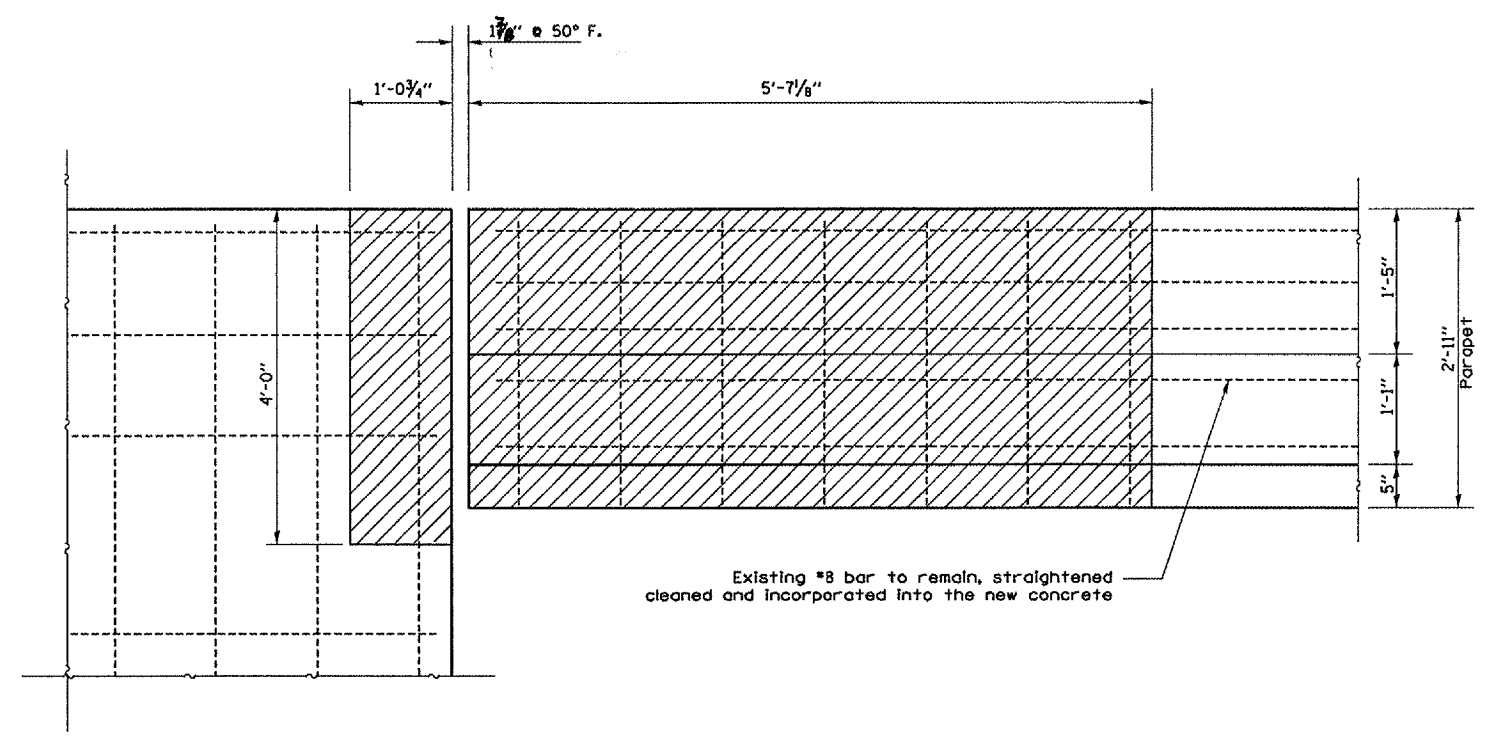
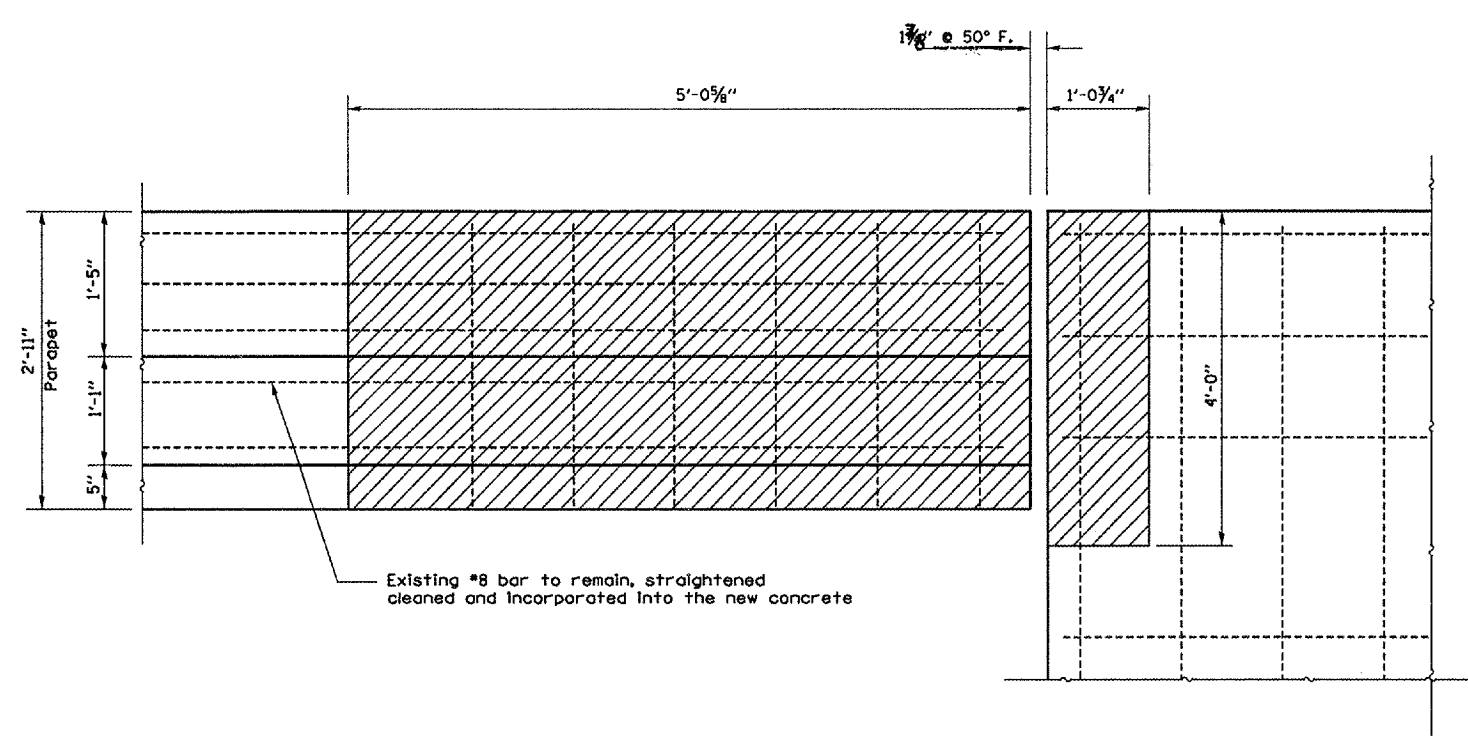


F.A.I. RTE.	SECTION	COUNTY	TOTAL SHEETS	SHEET NO.
412	(50-5B)I-1	LASALLE	29	9
FED. ROAD DIST. NO. ILLINOIS		STATE AID PROJECT		

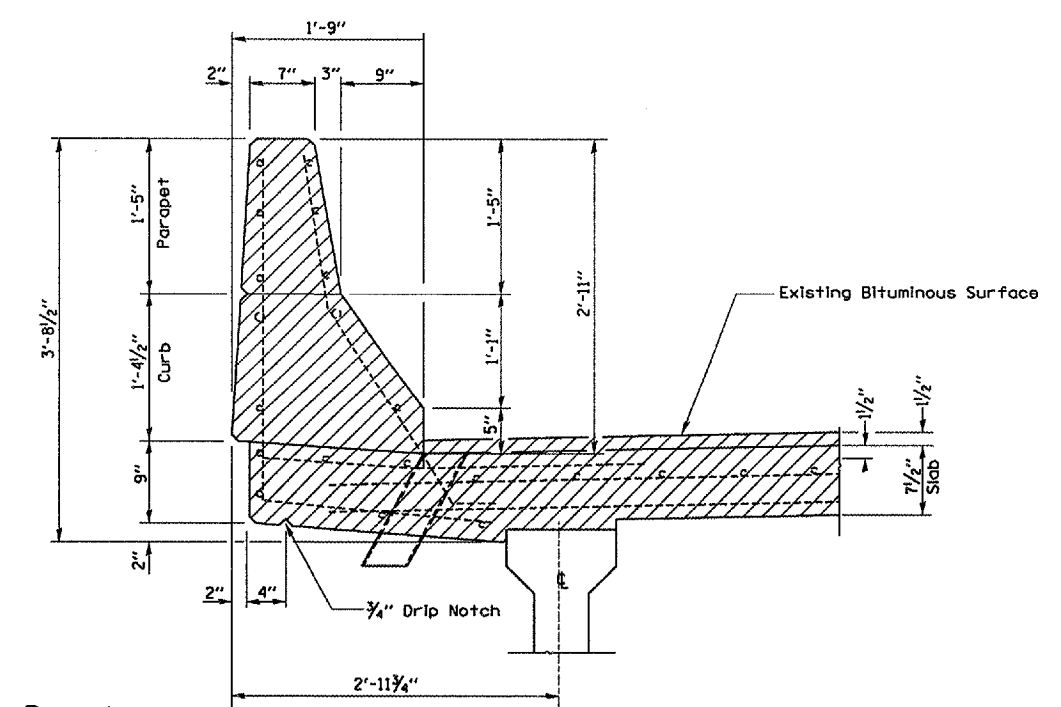


ELEVATION AT WEST PARAPET

CONCRETE REMOVAL



ELEVATION AT EAST PARAPET



SECTION B-B  
@ Rt <'s

Minimum Bar Lap

- #4 1'-8"
- #5 2'-2"
- #6 2'-7"
- #7 3'-5"
- #8 4'-6"

REVISIONS	
NAME	DATE

ILLINOIS DEPARTMENT OF TRANSPORTATION  
**CONCRETE REMOVAL-SOUTH ABUT. PARAPET DETAILS**  
 S.N. 050-0174  
 F.A.I. 412 NORTHBOUND  
 OVER C. & N.W. RAILROAD  
 SECTION (50-5B)I-1  
 STA. 1216+43.45  
 DATE 04/24/2005  
 DRAWN BY RW  
 CHECKED BY

MARCH 30, 2005  
C:\PROJECTS\DMA\1006\CM303\DETAILS.DGN