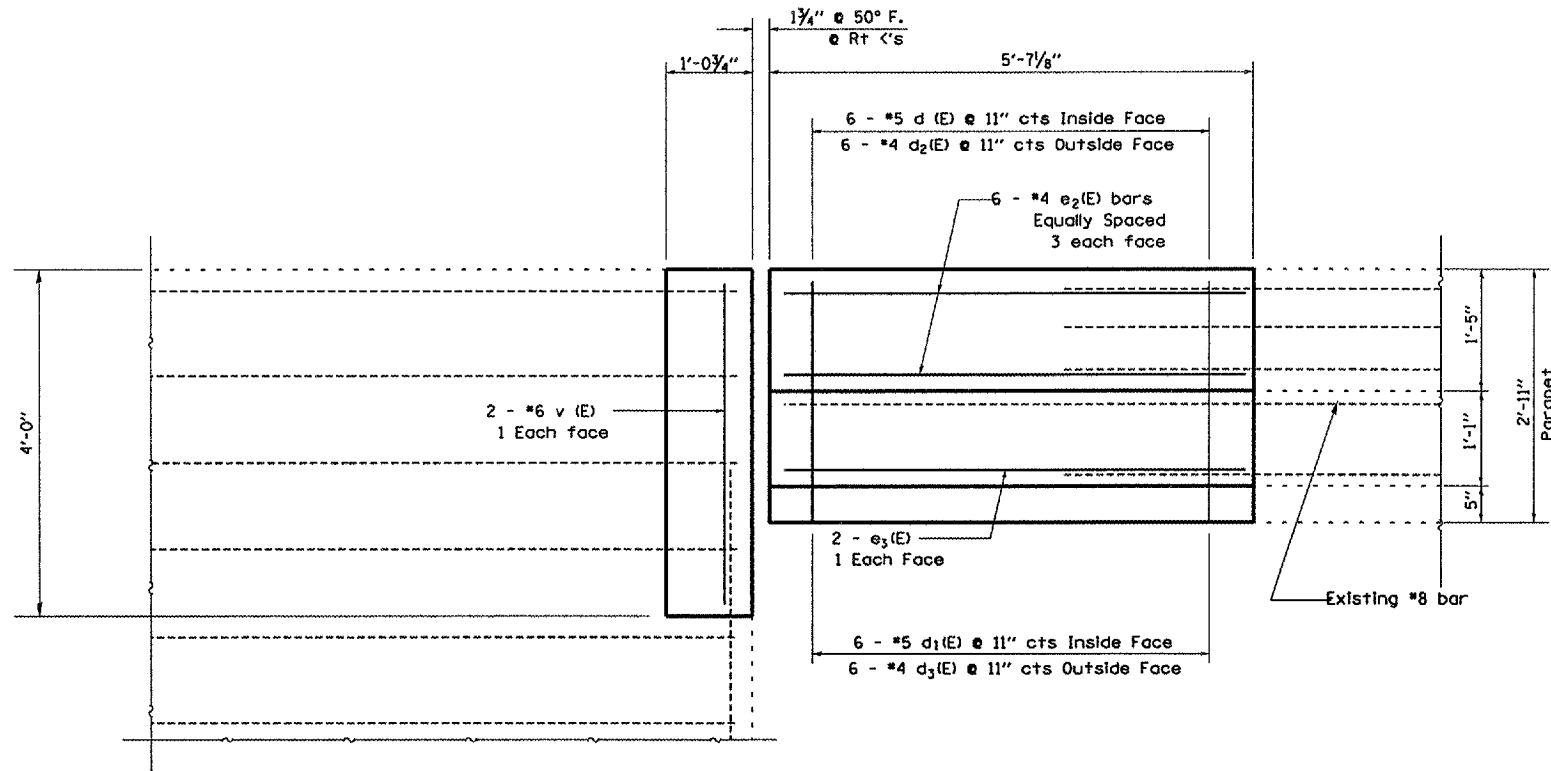
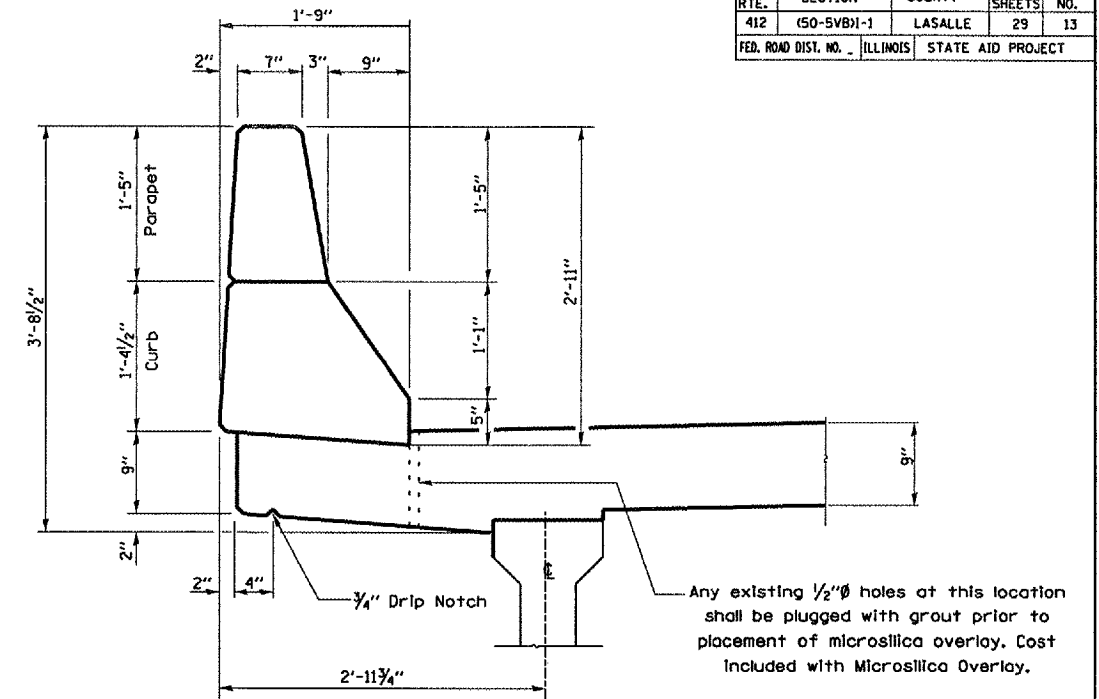


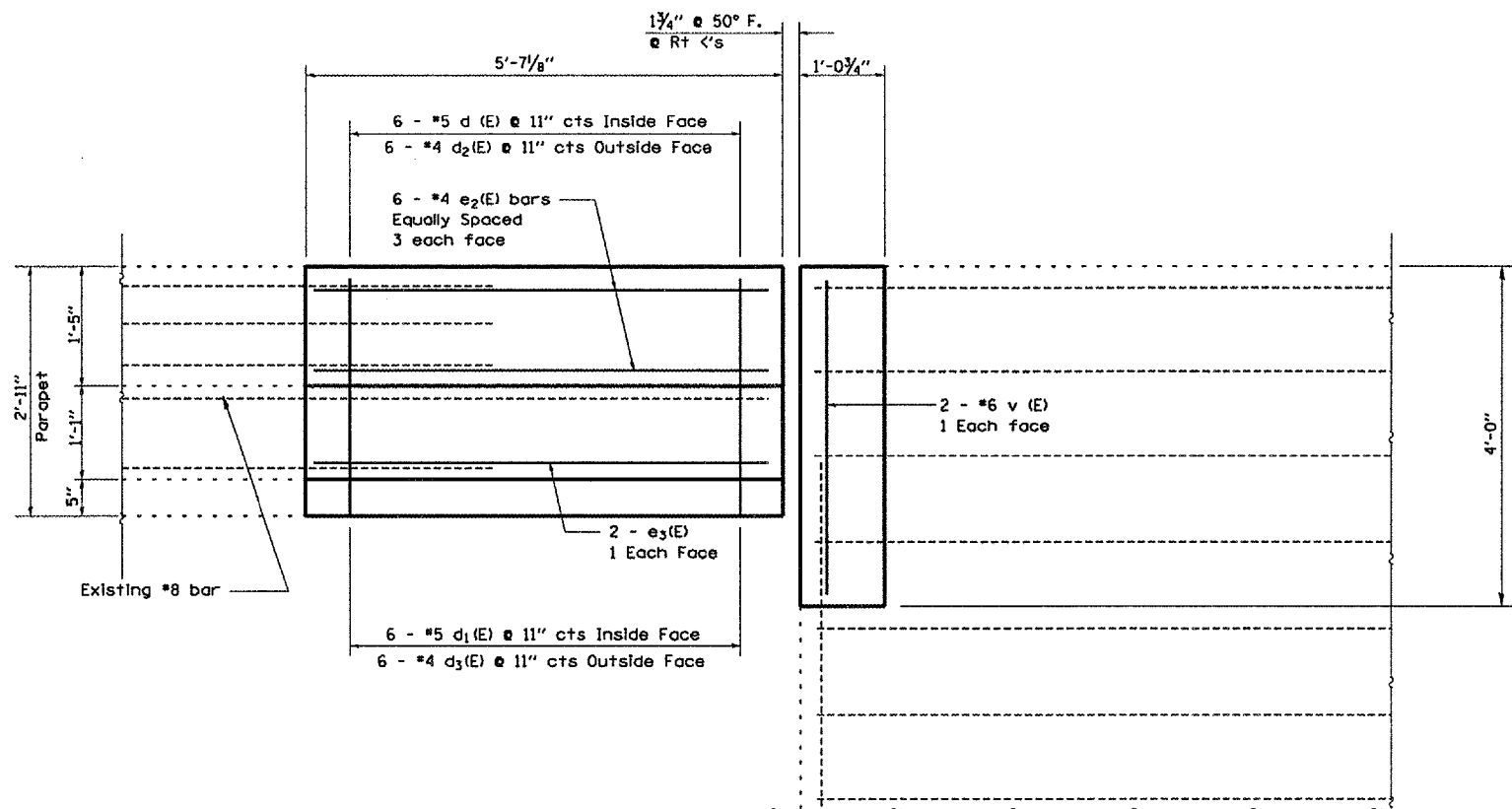
F.A.I. RTE.	SECTION	COUNTY	TOTAL SHEETS	SHEET NO.
412	(50-5B)I-1	LASALLE	29	13
FED. ROAD DIST. NO. ILLINOIS		STATE AID PROJECT		



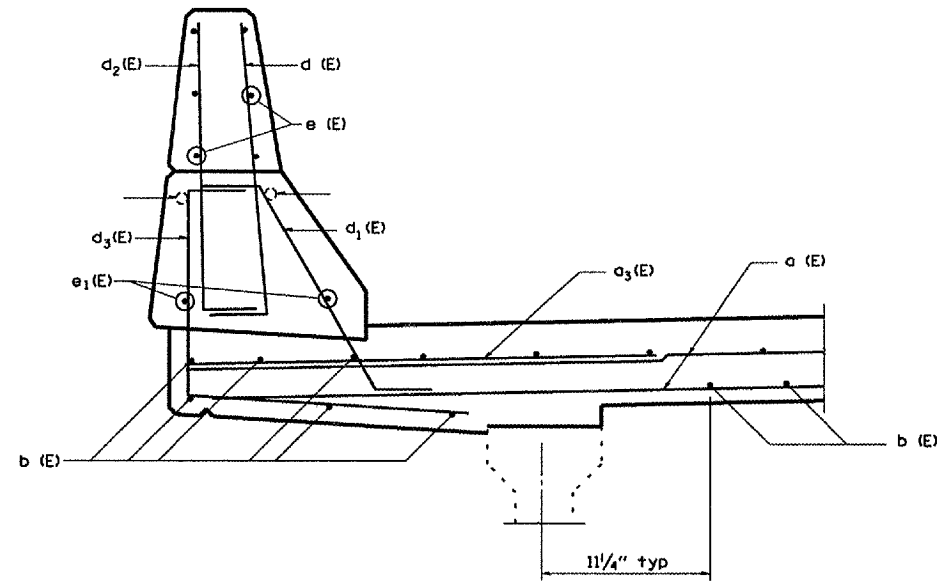
ELEVATION AT WEST PARAPET



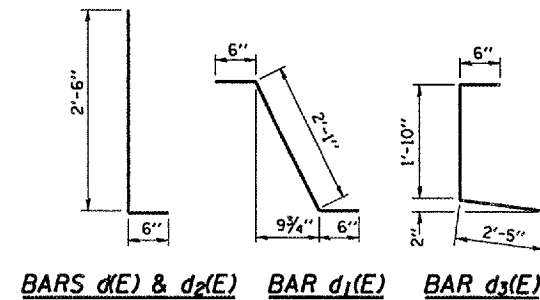
SECTION B-B  
DIMENSIONS



ELEVATION AT EAST PARAPET



SECTION B-B  
REINFORCEMENT



REVISIONS	
NAME	DATE

ILLINOIS DEPARTMENT OF TRANSPORTATION  
**RECONSTRUCTION - SOUTH ABUT.**  
**PARAPET DETAILS**  
 S.N. 050-0174  
 F.A.I. 412 NORTHBOUND  
 OVER C. & N.W. RAILROAD  
 SECTION (50-5B)I-1  
 STA. 1216 + 43.45  
 DATE 04/24/2005  
 DRAWN BY RW  
 CHECKED BY

MARCH 30, 2005  
 C:\PROJECTS\CMA IN06\CM303\DETAILS.DGN