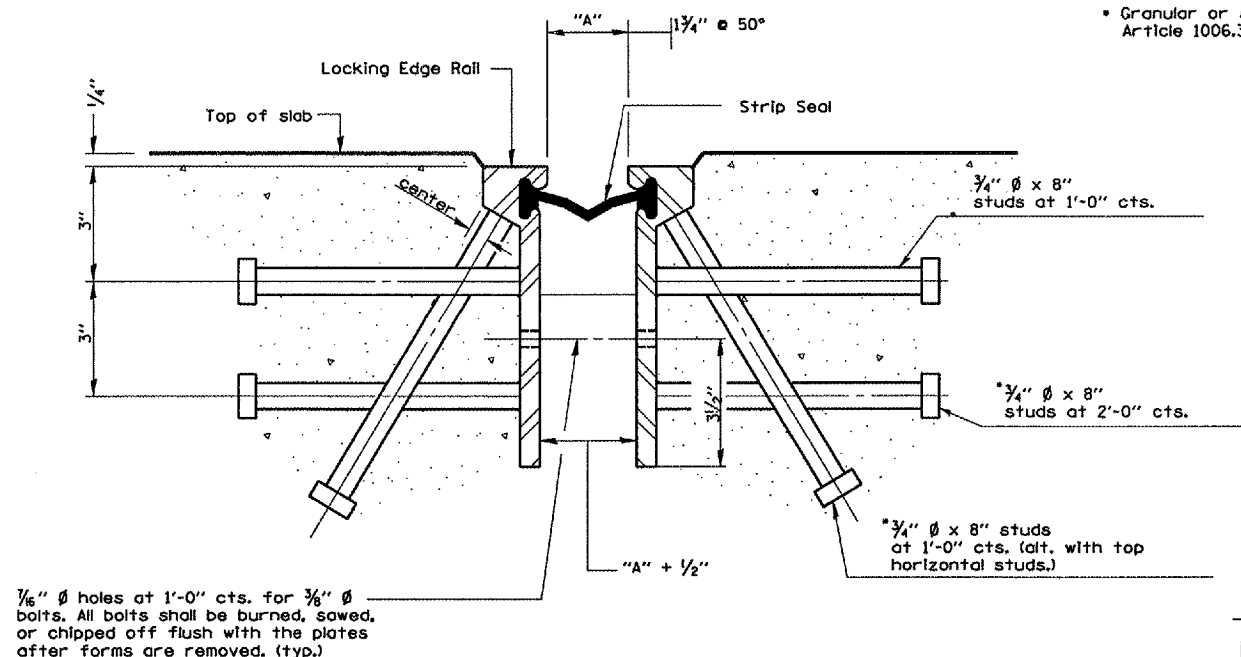
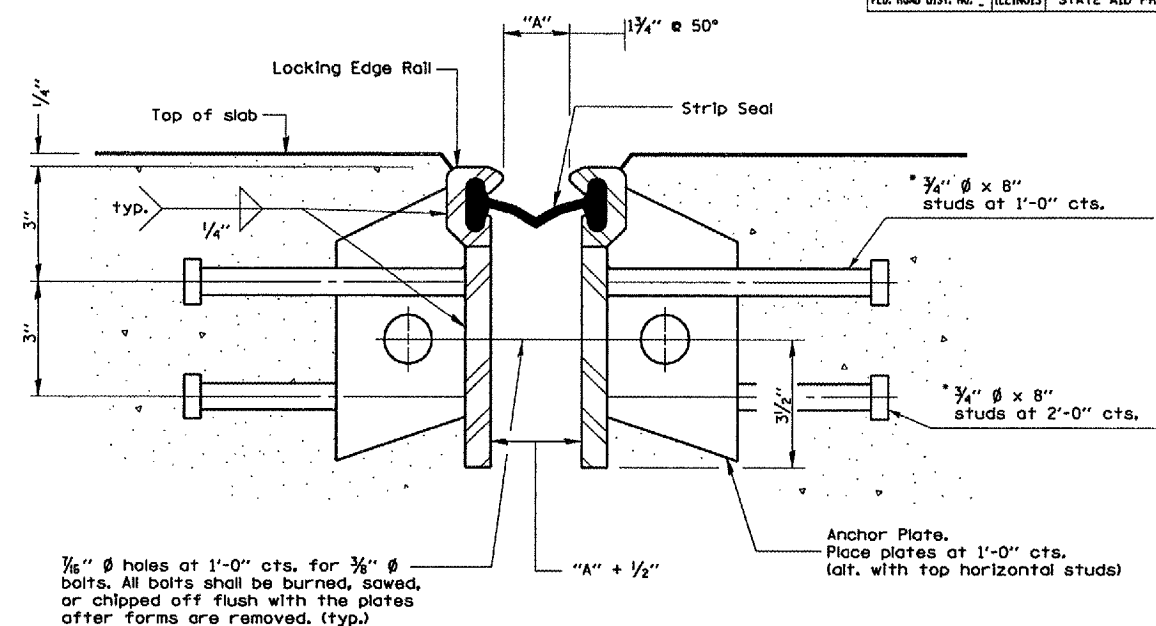


F.A.I. RTE.	SECTION	COUNTY	TOTAL SHEETS	SHEET NO.
412	(50-5B)I-1	LASALLE	29	14
FED. ROAD DIST. NO.		ILLINOIS STATE AID PROJECT		

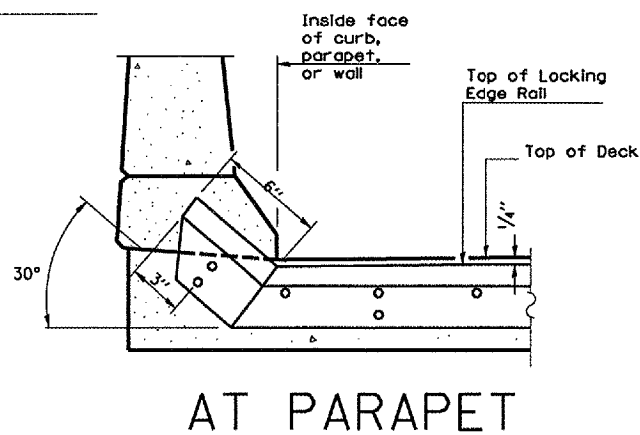
* Granular or solid flux filled headed studs conforming to Article 1006.32 of the Std. Specs., automatically end welded.



SECTION THRU ROLLED RAIL EXP. JOINT
(424 Studs Required)



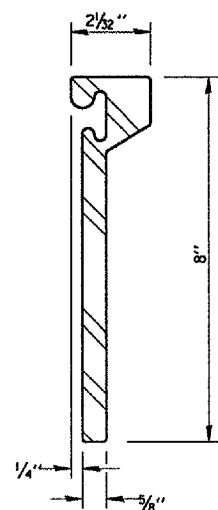
SECTION THRU WELDED RAIL EXP. JOINT
(256 Studs Required)
(172 Anchor Plates Required)



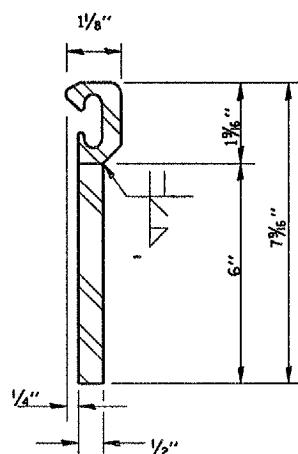
AT PARAPET

GENERAL NOTES

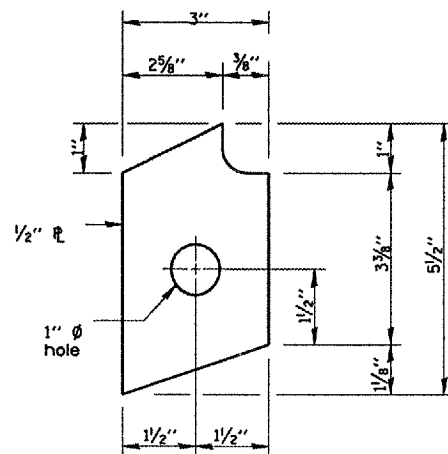
The strip seal shall be made continuous and shall have a minimum thickness of 1/4". The configuration of the strip seal shall match the configuration of the Locking Edge Rails.
The height and thickness of the Locking Edge Rails shown are minimum dimensions. The actual configuration of the Locking Edge Rails and matching strip seal may vary from manufacturer to manufacturer. Flanged edge rails will not be allowed.
Locking Edge Rails may be spliced at slope discontinuities and stage construction joints.
The manufacturer's recommended installation methods shall be followed.
The joint opening and deck dimensions detailed on the superstructure are based on a preformed joint seal. If the contractor elects to use the alternate strip seal joint, the opening and deck dimensions shall be modified according to the dimensions detailed on this sheet. Required modifications shall be made at no additional cost to the State.



ROLLED (EXTRUDED) RAIL
LOCKING EDGE RAILS



WELDED RAIL



ANCHOR
(for welded rail)

REVISIONS	
NAME	DATE

ILLINOIS DEPARTMENT OF TRANSPORTATION
**STRIP SEAL EXPANSION
JOINT DETAILS**
S.N. 050-0174
F.A.I. 412 NORTHBOUND
OVER C. & N.W. RAILROAD
SECTION (50-5B)I-1
STA. 1216 + 43.45

DATE 04/24/2005

DRAWN BY RW
CHECKED BY