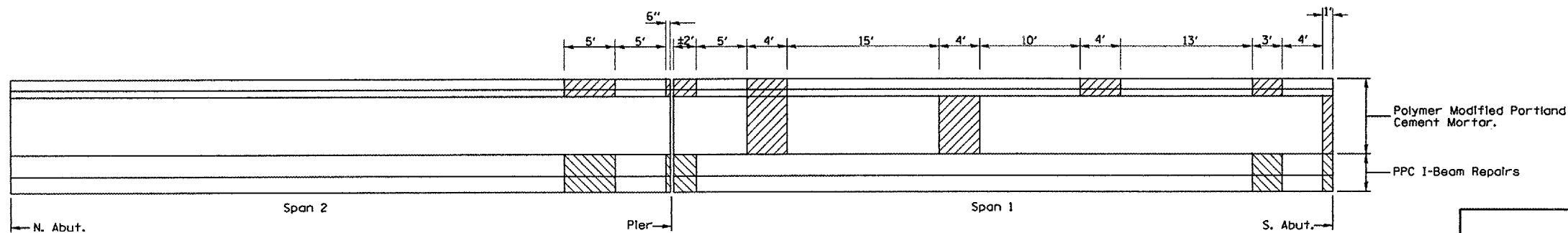


F.A.I. RTE.	SECTION	COUNTY	TOTAL SHEETS	SHEET NO.
412	(50-5B)I-1	LASALLE	29	15
FED. ROAD DIST. NO.	ILLINOIS	STATE AID PROJECT		



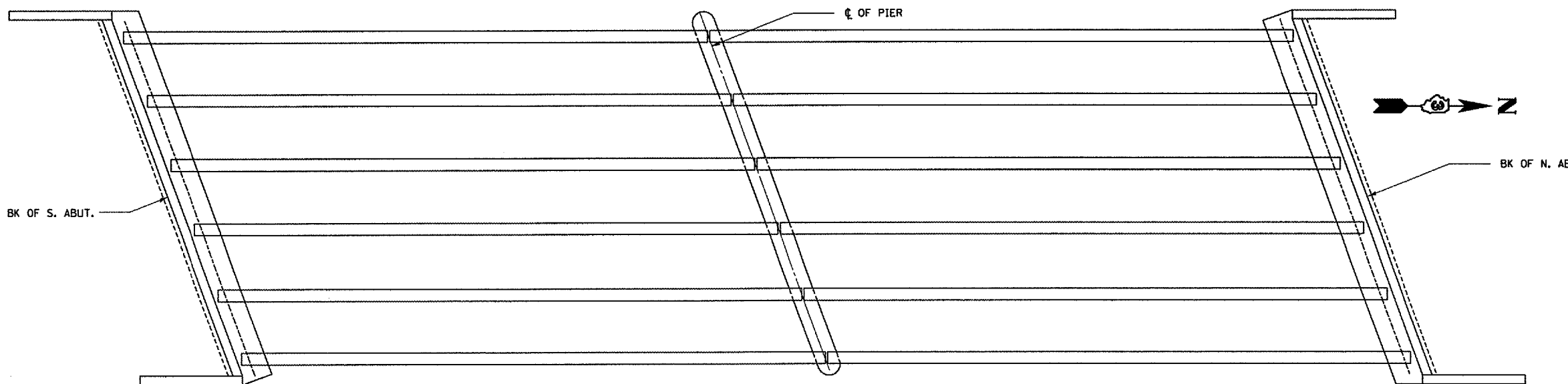
ELEVATION

WEST FASCIA BEAM
EXTERIOR FACE
LOOKING EAST

 POLYMER MODIFIED PORTLAND CEMENT MORTAR
 PPC I-BEAM REPAIR

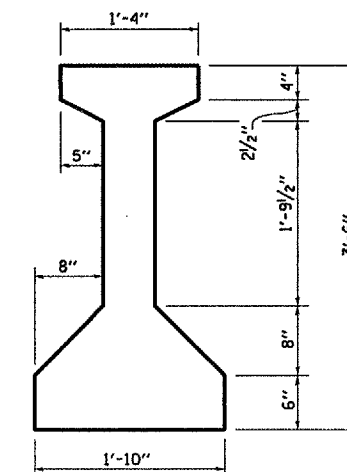
BILL OF MATERIAL

Item	Unit	Total
PPC I-Beam Repairs	L.S.	1
Polymer Modified Portland Cement Mortar	Sq. Ft.	29

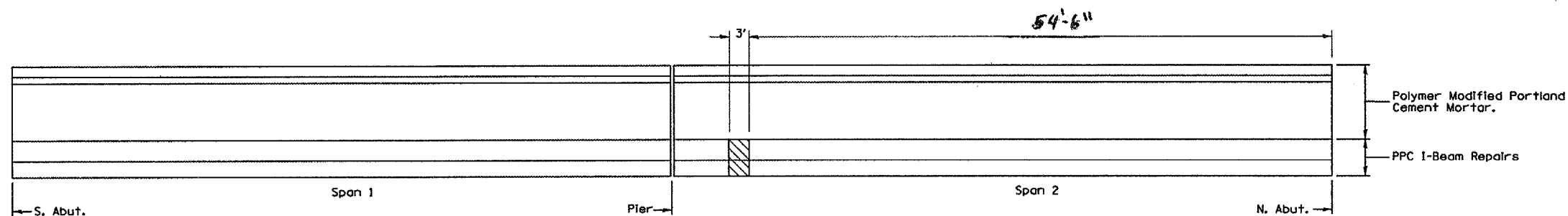


ELEVATION

EAST FASCIA BEAM
EXTERIOR FACE
LOOKING WEST



42" PPC BEAM



REVISIONS	
NAME	DATE

ILLINOIS DEPARTMENT OF TRANSPORTATION

PPC DECK BEAM REPAIR

S.N. 050-0174
F.A.I. 412 NORTHBOUND
OVER C. & N.W. RAILROAD
SECTION (50-5B)I-1
STA. 1216 + 43.45

DATE 04/24/2005

DRAWN BY RW
CHECKED BY

MARCH 30, 2005
C:\PROJECTS\CMA IN06\CM303\DETAILS.DGN