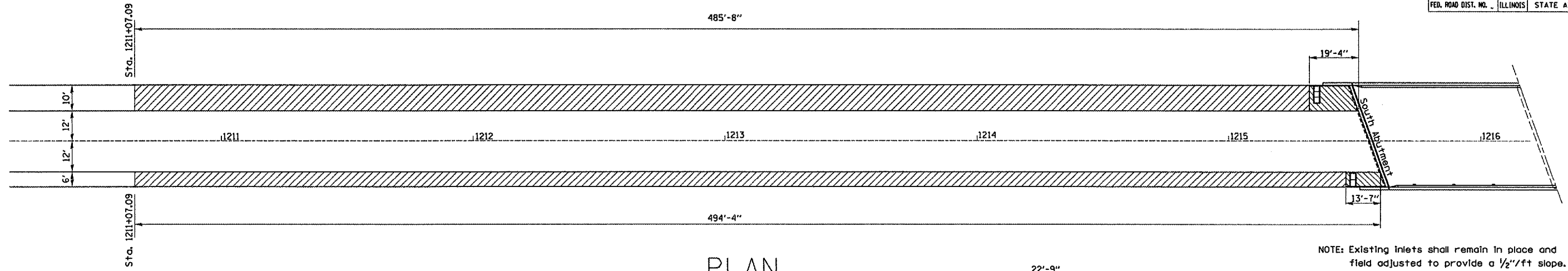
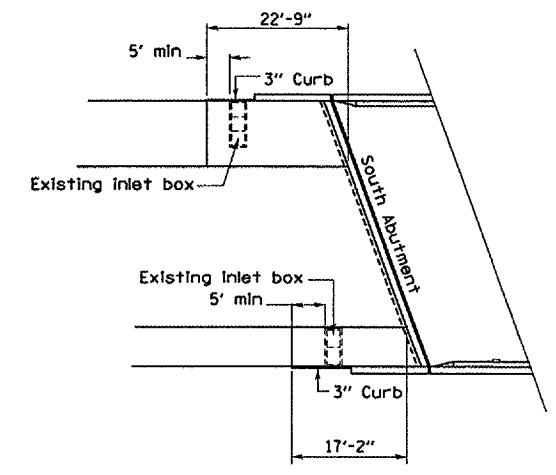


F.A.I. RTE.	SECTION	COUNTY	TOTAL SHEETS	SHEET NO.
412	(50-5B)I-1	LASALLE	29	24
FED. ROAD DIST. NO.		ILLINOIS	STATE AID PROJECT	



PLAN

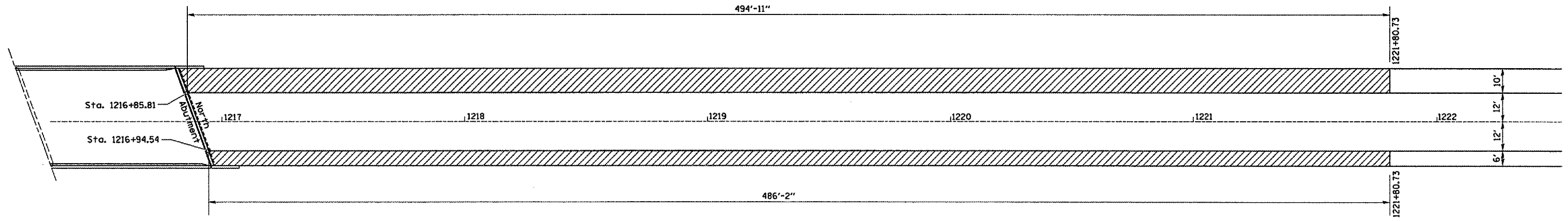
NOTE: Existing inlets shall remain in place and field adjusted to provide a 1/2"/ft slope.



PROPOSED PLAN
BRIDGE APPROACH SHOULDER
See Standards 483001 & 609001 for detail not shown



- BITUMINUS SHOULDER REMOVAL & PCC SHOULDER 10"
- BRIDGE APPROACH SHOULDER REMOVAL & PCC BRIDGE APPROACH SHOULDER PAVEMENT



PLAN

REVISIONS	
NAME	DATE

ILLINOIS DEPARTMENT OF TRANSPORTATION
PRE-STAGING DETAILS
F.A.I. 412 NORTHBOUND
OVER C. & N.W. RAILROAD
SECTION (50-5B)I
STA. 1216 + 43.45
DATE 04/24/2005
DRAWN BY RW
CHECKED BY

MARCH 30, 2005
C:\PROJECTS\CMA\NOB\CM303\DETA\ILS.DGN