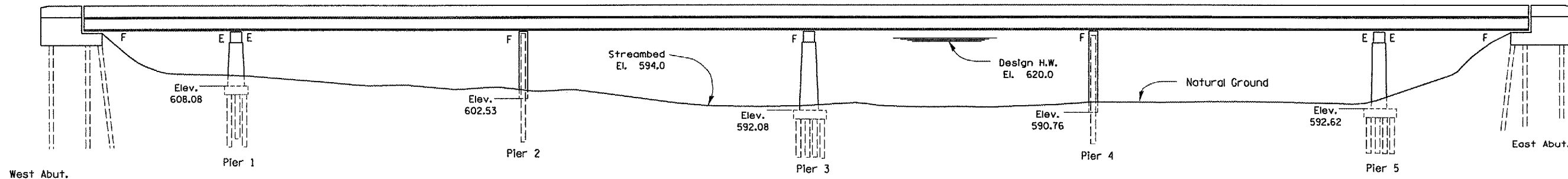
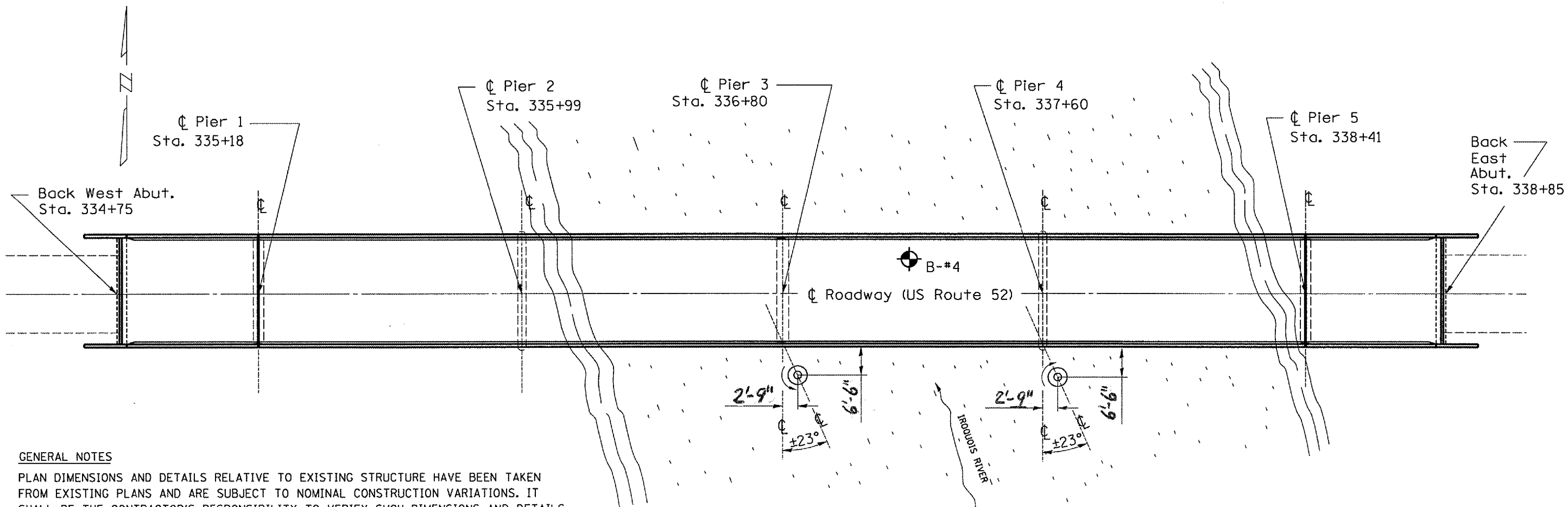


CONTRACT NO. 66572			
F.A.P. RTE.	SECTION	COUNTY	TOTAL SHEET NO.
681	(118BC,BR1)	IRROUOIS	12 4
FED. ROAD DIST. NO.	ILLINOIS	STATE AID PROJECT	



ELEVATION

WATERWAY INFORMATION									
DRAINAGE AREA = 1646 SQ. MI.					LOW GRADE EL. = 624.0 @ STA. 327+00				
FLOOD	FREQ. YEARS	D. C.F.S.	OPENING EXIST.	SO. FT. PROP.	NAT. H.W.E.	HEAD - FT. EXIST. PROP.		HEADWATER EL. EXIST. PROP.	
DESIGN	50	23.06	5655	5340	620	-	0.13	-	620.13
BASE	100	25.3	5990	5672	620.9	-	0.16	-	621.06



GENERAL NOTES

PLAN DIMENSIONS AND DETAILS RELATIVE TO EXISTING STRUCTURE HAVE BEEN TAKEN FROM EXISTING PLANS AND ARE SUBJECT TO NOMINAL CONSTRUCTION VARIATIONS. IT SHALL BE THE CONTRACTOR'S RESPONSIBILITY TO VERIFY SUCH DIMENSIONS AND DETAILS IN THE FIELD AND MAKE NECESSARY APPROVED ADJUSTMENTS PRIOR TO WORK OR THE ORDERING OF MATERIALS. SUCH VARIATIONS SHALL NOT BE CAUSE FOR ADDITIONAL COMPENSATION FOR A CHANGE IN THE SCOPE OF THE WORK. HOWEVER, THE CONTRACTOR WILL BE PAID FOR THE QUANTITY ACTUALLY FURNISHED AT THE UNIT PRICE BID FOR THE PROJECT.

DEBRIS DEFLECTION DEVICES ARE TO BE INSTALLED UPSTREAM FROM PIERS P-3 AND P-4.

**PLAN
S.N. 038-0103**

- COUNTER-CLOCKWISE ROTATION
- CLOCKWISE ROTATION

REVISIONS	
NAME	DATE

ILLINOIS DEPARTMENT OF TRANSPORTATION
PLAN AND ELEVATION
 S.N. 038-0103
 FAP ROUTE 681 (US 52)
 SECTION (118BC,BR1)
 STA. 336+80

DATE 04/01/2005

DRAWN BY RLW