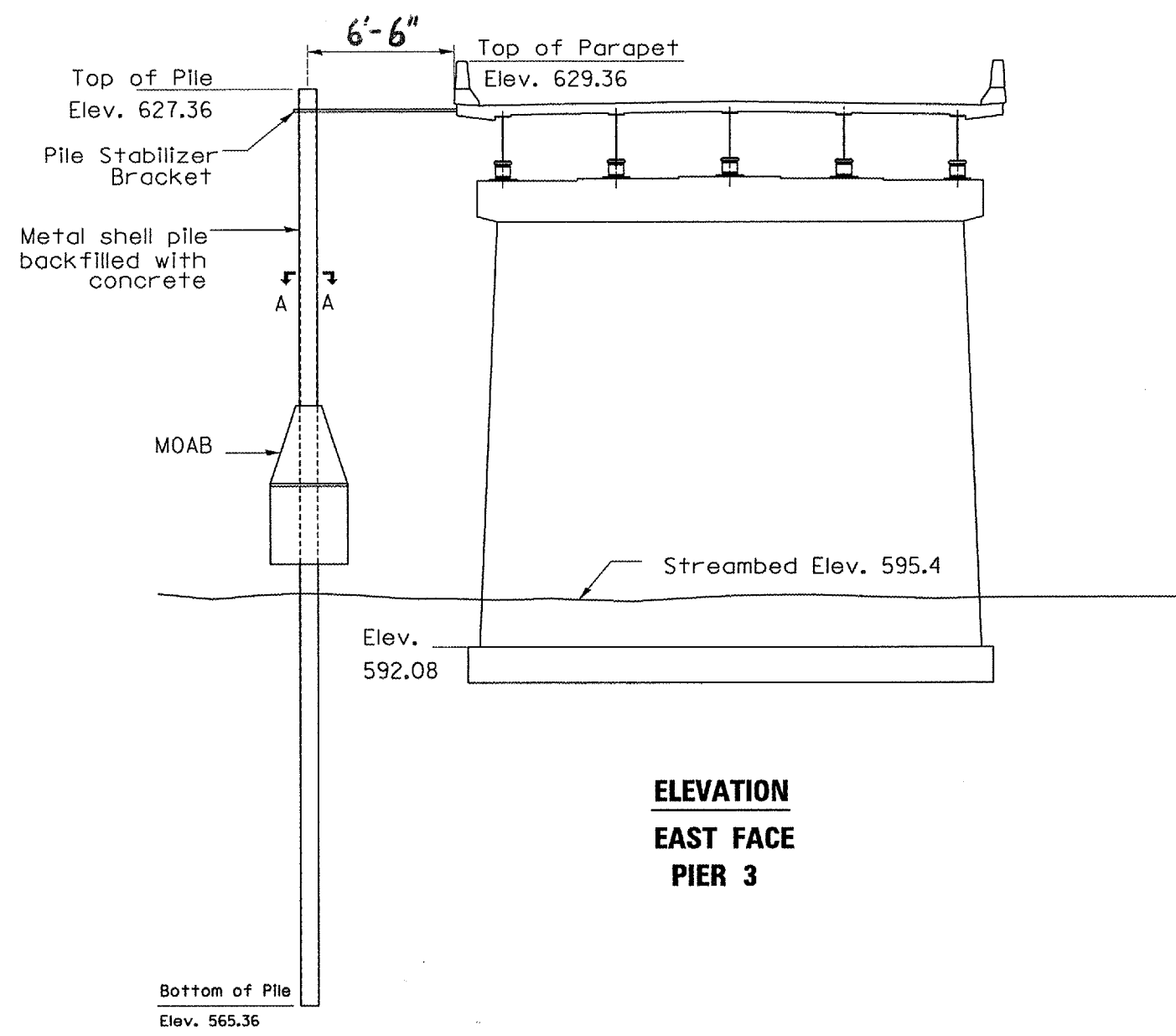
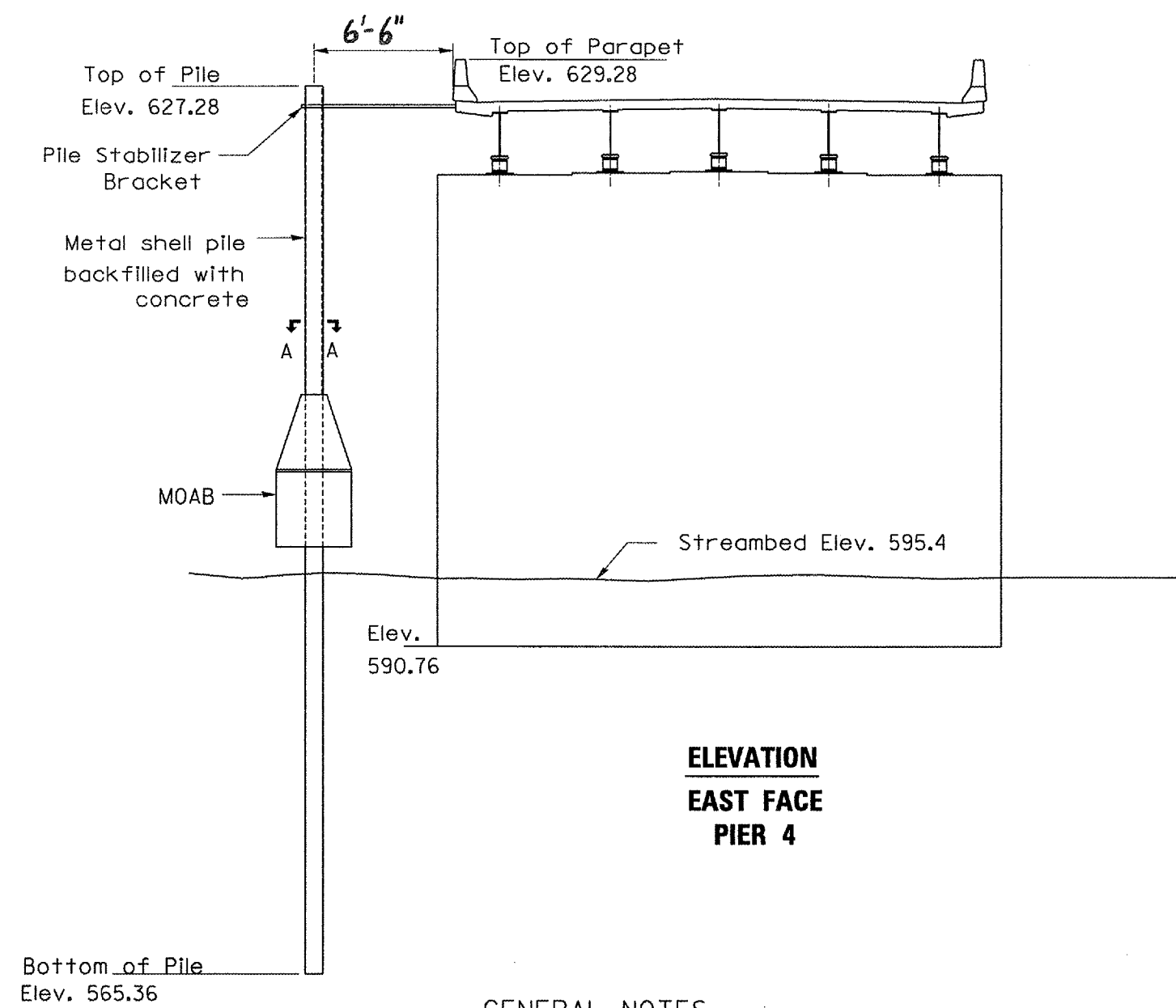


CONTRACT NO. 66572				
F.A.P. RTE.	SECTION	COUNTY	TOTAL SHEETS	SHEET NO.
681	(118BC,BR1)	IROQUOIS	12	5
FED. ROAD DIST. NO.	ILLINOIS	STATE AID PROJECT		



**ELEVATION  
EAST FACE  
PIER 3**



**ELEVATION  
EAST FACE  
PIER 4**

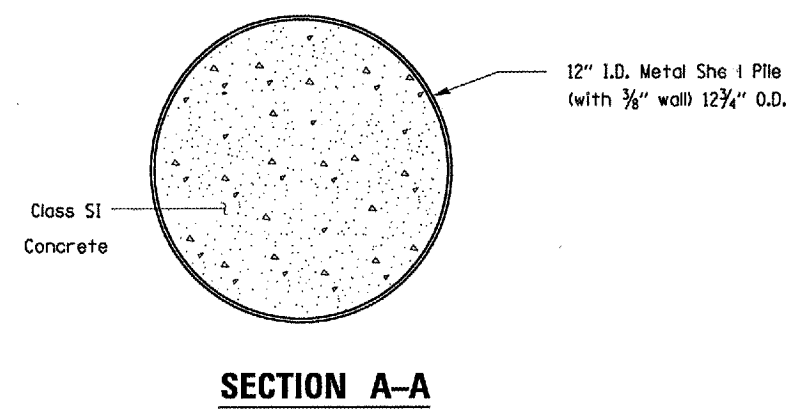
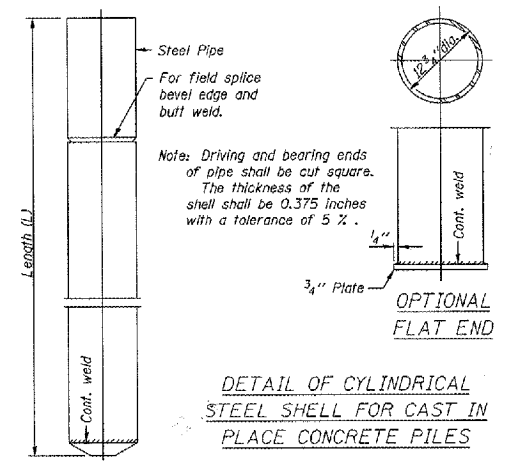
**GENERAL NOTES**

Steel Piling to be driven at the locations and to the elevation shown on plan details.

Steel piling shall be driven according to Section 512 of the Standard Specifications and backfilled with Class SI Concrete.

MOAB, Bracket and installation on piles provided by DEBRIS FREE, INC. OJAI, CA.

The Contractor shall submit a procedure and proposed equipment placement for driving the piles to the Engineer for approval. This shall include a means, such as crane mats, for distributing the load to the bridge deck and preventing damage to the concrete.



**SECTION A-A**

REVISIONS	
NAME	DATE

ILLINOIS DEPARTMENT OF TRANSPORTATION  
**PIER DETAILS**  
 S.N. 038-0103  
 FAP ROUTE 681 (US 52)  
 SECTION (118BC,BR1)  
 STA. 336 + 80  
 DATE 04/01/2005 DRAWN BY RLW

DATE: 04/01/2005  
 C:\PROJECTS\118BC\BR1\DETAILS.DWG