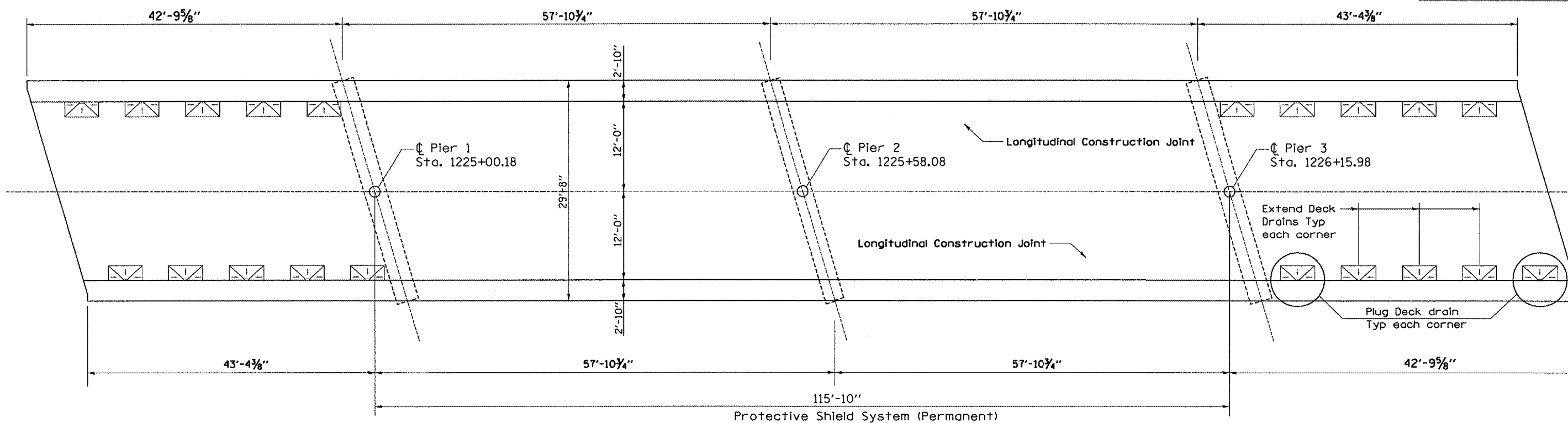
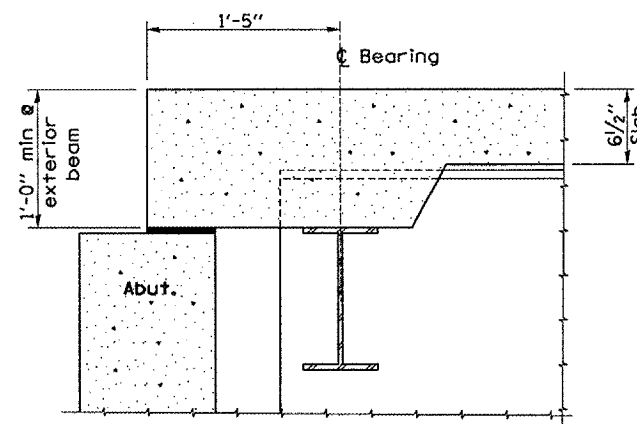


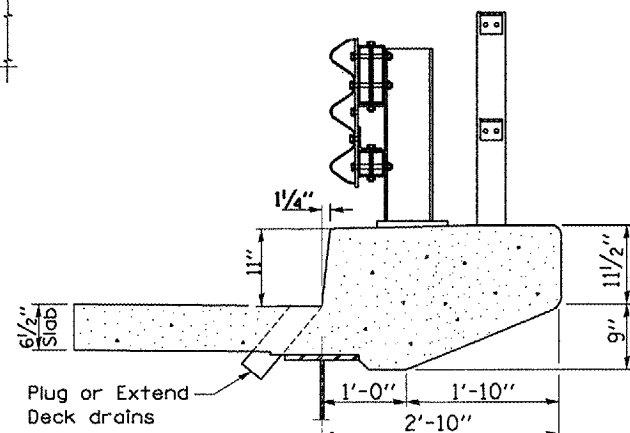
F.A.I. RTE.	SECTION	COUNTY	TOTAL SHEETS	SHEET NO.
57	146-2HB11	KANKAKEE	10	7
STA. 1224+55.93 TO STA. 1226+60.23				



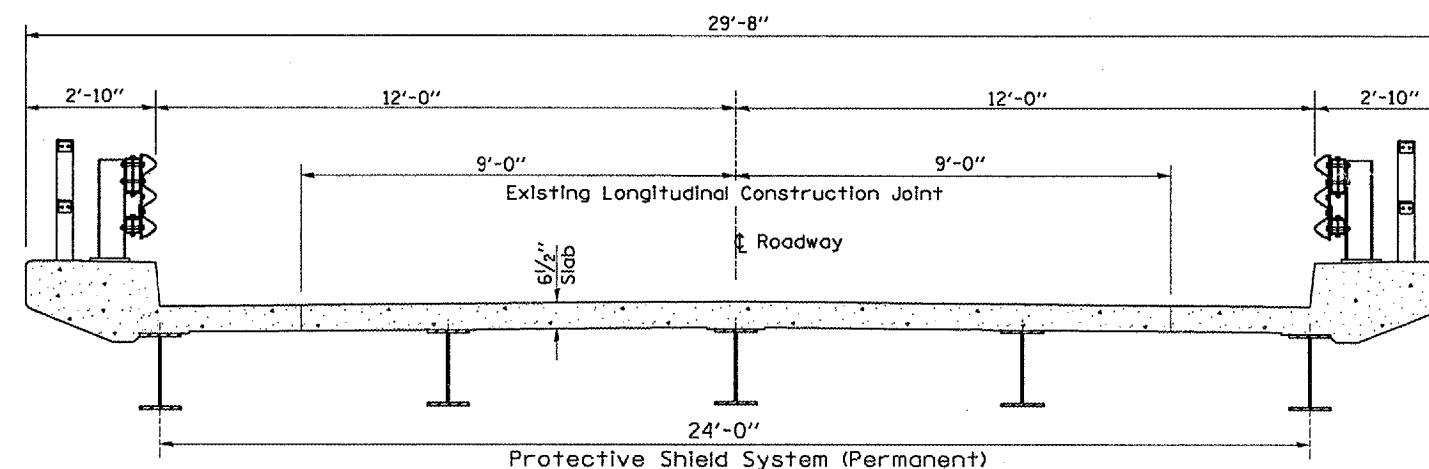
PLAN



EXISTING SECTION AT ABUT.



EXISTING SECTION AT CURB



EXISTING CROSS SECTION

REVISIONS	
NAME	DATE

ILLINOIS DEPARTMENT OF TRANSPORTATION
SUPERSTRUCTURE DETAILS
 F.A.I. ROUTE 57 SECTION (46-2HB)I
 KANKAKEE COUNTY
 S.N. 046-0088
 STA. 225 + 59.91

DATE 04/12/05
 DRAWN BY RLW
 CHECKED BY

DATE: 04/12/05
 FILE NAME: c:\projects\main06\cm304\details.dgn