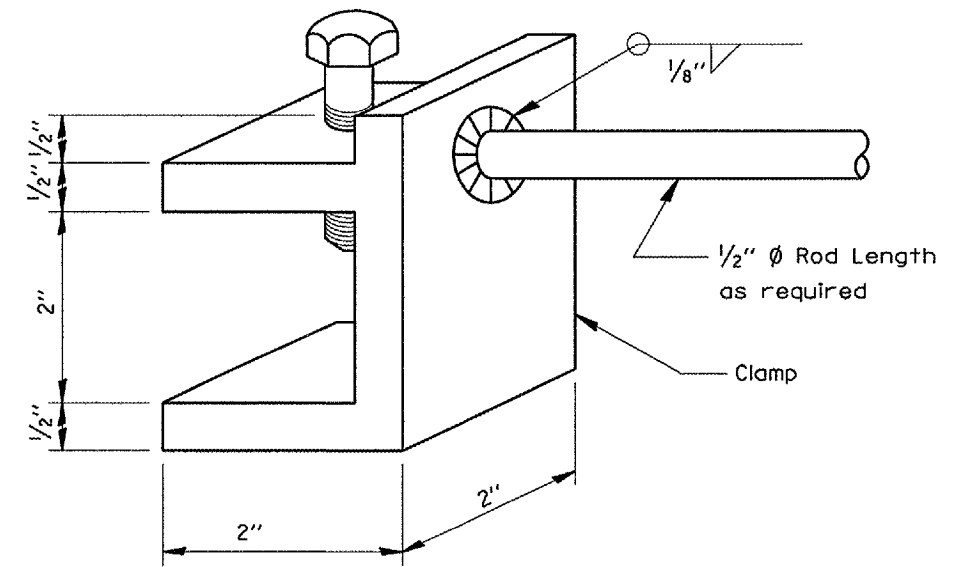
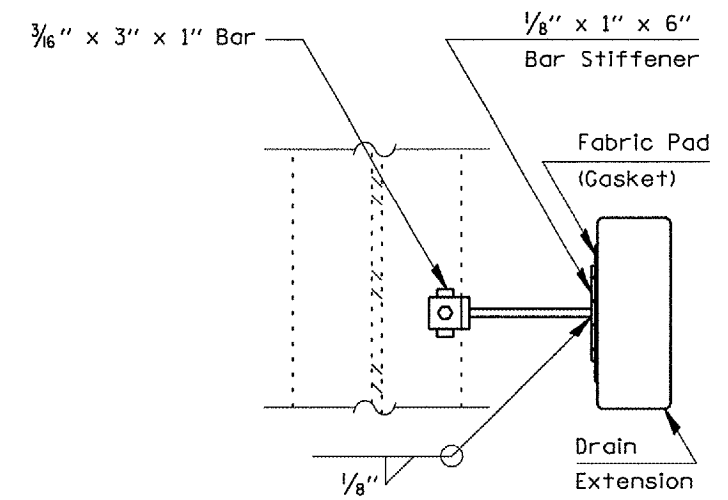
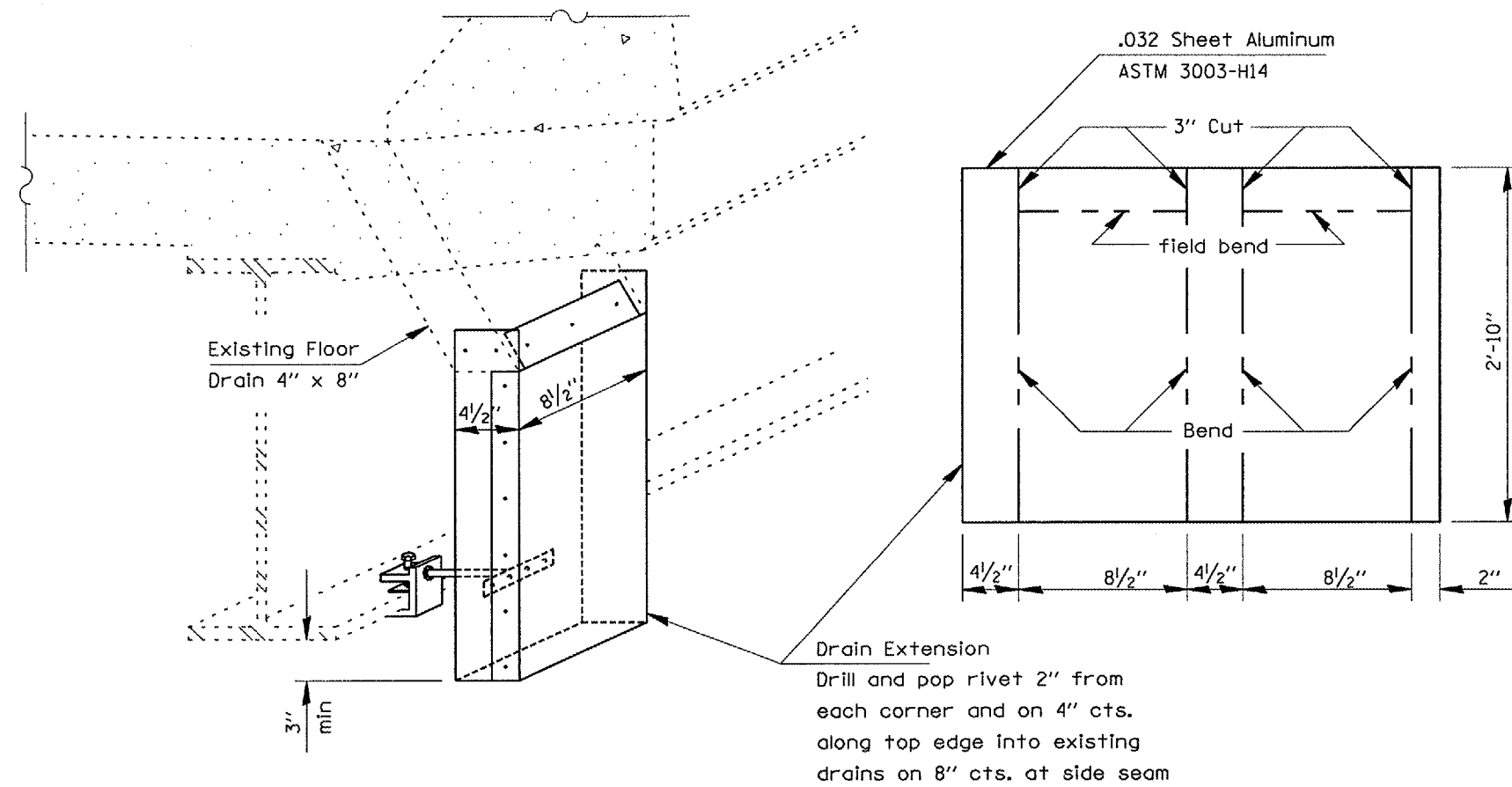


F.A.I. RTE.	SECTION	COUNTY	TOTAL SHEETS	SHEET NO.
57	(46-2HB)I	KANKAKEE	10	9
STA. 1224+55.93 TO STA. 1226+60.23				



STEEL CLAMP

Notes: Pop rivet the 1/8" x 1" bar to drain extension. Weld or securely attach rod to both the clamp and bar stiffener. Use 3/16" stainless steel pop rivets of sufficient length.

Clamp shown in approximate dimensions. Similar commercially available may be substituted.

- * Field measure cut to fit existing drain.
- An aluminum extrusion drain extension of similar dimensions may be substituted.

REVISIONS	
NAME	DATE

ILLINOIS DEPARTMENT OF TRANSPORTATION
DECK DRAIN EXTENSION DETAILS
 F.A.I. ROUTE 57 SECTION (46-2HB)I
 KANKAKEE COUNTY
 S.N. 046-0088
 STA. 225+59.91

DATE 04/12/05

DRAWN BY RLW
 CHECKED BY