

F.A.I. RTE.	SECTION	COUNTY	TOTAL SHEETS	SHEET NO.
57	(46-2HB)I	KANKAKEE	113	1

STATE OF ILLINOIS
DEPARTMENT OF TRANSPORTATION
DIVISION OF HIGHWAYS

**PROPOSED
HIGHWAY PLANS**

**FAI ROUTE 57 (I-57)
SECTION (46-2HB)I**

KANKAKEE COUNTY

C - 93 - 081 - 05

BRIDGE REPAIR

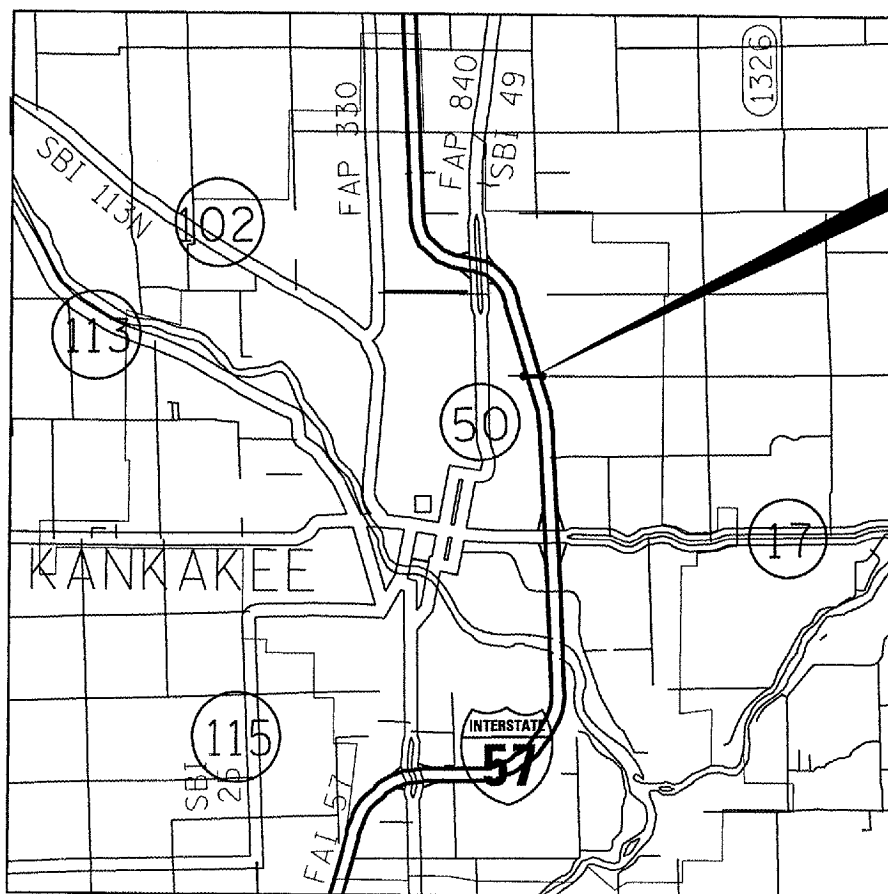
S.N. 046-0088

INDEX OF SHEETS

1. COVER SHEET
2. GENERAL NOTES
3. SUMMARY OF QUANTITIES
4. SCHEDULES
5. SCHEDULES
6. GENERAL PLAN AND ELEVATION
7. SUPERSTRUCTURE DETAILS
- 7A. PERMANENT PROTECTIVE SHIELD DETAILS
8. DECK SLAB REPAIR SURVEY
9. DECK DRAIN EXTENSION DETAILS
10. DECK DRAIN ELIMINATION DETAILS

STANDARDS

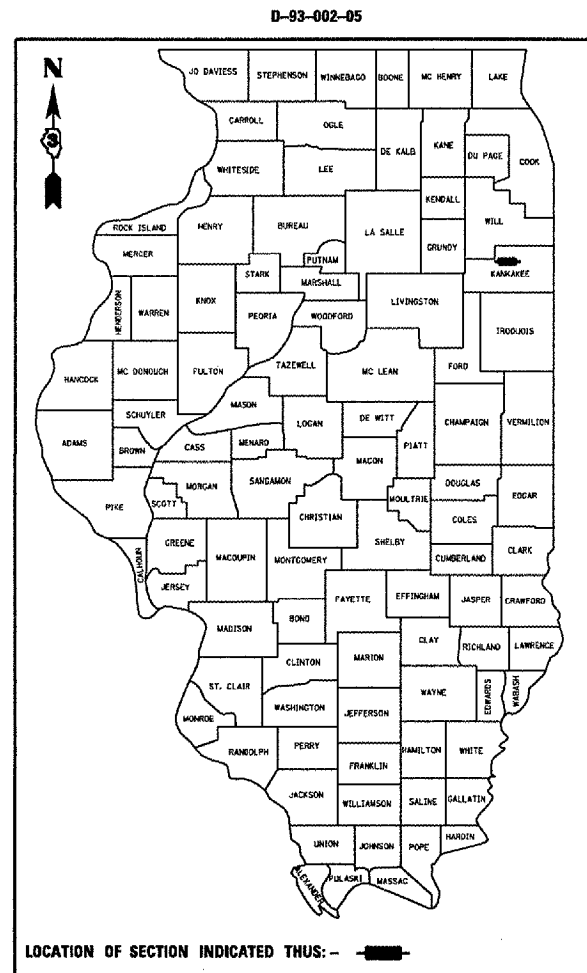
- 701001-01 OFF-ROAD OPERATIONS 2L, 2W, MORE THAN 4.5 m (15') AWAY
- 701006-02 OFF-ROAD OPERATIONS 2L, 2W, 4.5 m (15') TO 600 mm (24") FROM PAVEMENT EDGE
- 701101-01 OFF-ROAD OPERATIONS MULTILANE, 4.5 m (15') TO 600 mm (24") FROM PAVEMENT EDGE
- 701106-01 OFF-ROAD OPERATIONS, MULTILANE, MORE THAN 4.5 m (15') AWAY
- 701301-02 LANE CLOSURE, 2L, 2W, SHORT TIME OPERATIONS
- 701316-03 LANE CLOSURE, 2L, 2W, BRIDGE REPAIR, FOR SPEEDS P 45 MPH
- 701400-02 APPROACH TO LANE CLOSURE, FREEWAY/EXPRESSWAY
- 701406-04 LANE CLOSURE, FREEWAY/EXPRESSWAY, DAY OPERATIONS ONLY
- 702001-05 TRAFFIC CONTROL DEVICES



PROJECT LOCATION

S.N. 046-0088

CARRYING NORTH STREET OVER FAI 57
2.0 MILES NORTH OF IL ROUTE 17



LOCATION OF SECTION INDICATED THUS: - [Symbol] -

MICROFILMED _____
REEL NUMBER _____
AWARDED _____
RESIDENT ENGINEER _____
AS BUILT CHANGES WERE MADE
ON THE FOLLOWING SHEETS _____

J.U.L.I.E.
JOINT UTILITY LOCATION INFORMATION FOR EXCAVATION
1-800-892-0123

DISTRICT 3 NO. (815) 434-6131

PROJECT ENGINEER: TOM HUFNAGEL (815)-434-8418
UNIT CHIEF: RON WOODSHANK (815)-434-8419

CONTRACT NO. 66574

STATE OF ILLINOIS
DEPARTMENT OF TRANSPORTATION
DIVISION OF HIGHWAYS

SUBMITTED 5/19 2005
[Signature]
DEPUTY DIRECTOR OF HIGHWAYS, REGION ENGINEER

July 1 2005
[Signature]
ENGINEER OF DESIGN AND ENVIRONMENT

July 1 2005
[Signature]
DIRECTOR OF HIGHWAYS, CHIEF ENGINEER

**PRINTED BY THE AUTHORITY
OF THE STATE OF ILLINOIS**

GROSS LENGTH = 235 FT. = 0.4 MI.
NET LENGTH = 235 FT. = 0.4 MI.

F.A.I. RTE.	SECTION	COUNTY	TOTAL SHEETS	SHEET NO.
57	(46-2HB)I	KANKAKEE	10	2
STA. 1224+55.93 TO STA. 1226+60.23				

GENERAL NOTES:

Plan dimensions and details relative to the existing roadway and structure have been taken from existing plans and are subject to nominal construction variations. It shall be the contractor's responsibility to verify such dimensions and details in the field and to make necessary approved adjustments prior to construction or ordering of materials. Such variations shall not be cause for additional compensation for a change in the scope of the work, however, the contractor will be paid for the quantity actually furnished at the unit price bid for the work.

The contractor shall be responsible for protecting utility property from construction operations as outlined in Article 107.31 of the Standard Specifications. The "Julie" Number is 1-800-892-0123. A minimum of forty-eight (48) hours advance notice is required.

The cost of any saw cuts made to complete the work as described in plan details, unless otherwise noted shall not be paid for separately but shall be included in the various pay items involved.

The finished earthwork shall have a vegetation sustaining soil covering the top four inches (4") in areas to be seeded or sodded. The vegetation sustaining soil required shall be measured and paid for in accordance with Section 205 of the Standard Specifications.

For stabilization, all Type II barricades shall require a minimum of two sand bags per barricade. For stabilization, all Type III barricades shall require a minimum of four sand bags per barricade.

Where section or subsection monuments are encountered, the engineer shall be notified before such monuments are removed. The contractor shall protect and carefully preserve all monuments until an authorized surveyor or agent has witnessed or otherwise referenced their location. The contractor shall be responsible for having an authorized surveyor reestablish any section or subsection monuments destroyed by his operations.

All elevations referring to U.S.G.S. mean sea level datum.

Any reference to a standard in these plans shall be interpreted to mean the edition as indicated by the subnumber listed on the index of sheets or the copy of the standard included in these plans.

New Reinforcement bars shall be Epoxy Coated.

Reinforcement bars that are to remain in place which are damaged during concrete removal operations shall be repaired or replaced using approved bar splicer or anchorage system. Cost included with "Concrete Removal".

Reinforcement bars shall conform to the requirements of AASHTO M 31 or M322 Grade 60.

DATE: May 18, 2005

PREPARED BY: *Bruce G. Hucker*
DISTRICT OPERATIONS ENGINEER

EXAMINED BY: *Robert K. [Signature]*
DISTRICT CONSTRUCTION ENGINEER

Steven B. [Signature]
ACTING DISTRICT STUDIES & PLANS ENGINEER

Kenneth L. [Signature]
DISTRICT MATERIALS ENGINEER

REVISIONS	
NAME	DATE

ILLINOIS DEPARTMENT OF TRANSPORTATION
GENERAL NOTES
F.A.I. ROUTE 57 SECTION (46-2HB)I
KANKAKEE COUNTY
S.N. 046-0088
STA. 225 + 59.91
DATE 04/12/05
DRAWN BY RLW
CHECKED BY

DATE: 04/12/05
FILE NAME: c:/projects/cmain06/cm304/details.dgn

F.A.I. RTE.	SECTION	COUNTY	TOTAL SHEETS	SHEET NO.
57	(46-2HB)I	KANKAKEE	10	3
STA. 1224+55.93 TO STA. 1226+60.23				

SUMMARY OF QUANTITIES

CONSTRUCTION CODE TYPE:

**SFTY-2A
URBAN
100% STATE
TOTAL
QUANTITY**

CODE NO.	ITEM	UNIT	TOTAL QUANTITY
67100100	MOBILIZATION	L SUM	1
70100100	TRAFFIC CONTROL AND PROTECTION, STANDARD 701316	EACH	1
70100305	TRAFFIC CONTROL AND PROTECTION, STANDARD 701400	L SUM	1
70100700	TRAFFIC CONTROL AND PROTECTION, STANDARD 701406	L SUM	1
70103815	TRAFFIC CONTROL SURVEILLANCE	CAL DA	20
70106500	TEMPORARY BRIDGE TRAFFIC SIGNALS	EACH	1
X0321468	PLUG EXISTING DECK DRAINS	EACH	8
X0322066	PROTECTIVE SHIELD (PERMANENT)	SQ YD	309
Z0015595	DECK DRAIN EXTENSIONS	EACH	12
Z0016000	DECK SLAB REPAIR (FULL DEPTH)	SQ YD	30
Z0016200	DECK SLAB REPAIR (PARTIAL)	SQ YD	187

DATE: 04/12/05
FILE NAME: c:/projects/cm304/details.dgn

REVISIONS	
NAME	DATE

ILLINOIS DEPARTMENT OF TRANSPORTATION

SUMMARY OF QUANTITIES

F.A.I. ROUTE 57 SECTION (46-2HB)I
KANKAKEE COUNTY
S.N. 046-0088
STA. 225 + 59.91

DATE 04/12/05
DRAWN BY RLW
CHECKED BY

F.A.I. RTE.	SECTION	COUNTY	TOTAL SHEETS	SHEET NO.
57	(46-2HB)I	KANKAKEE	10	4
STA. 1224+55.93 TO STA. 1226+60.23				

DECK SLAB REPAIR SCHEDULE														
WESTBOUND LANE														
LOCATION						DIMENSIONS				SQ YDS				
DECK LENGTH			DECK WIDTH			DECK LENGTH		DECK WIDTH						
0	FT	TO	2	FT	3	FT	TO	4	FT	2.0	FT	1.0	FT	0.2
3	FT	TO	5	FT	9	FT	TO	12	FT	2.0	FT	3.0	FT	0.7
6	FT	TO	10	FT	6	FT	TO	12	FT	4.0	FT	6.0	FT	2.7
10	FT	TO	11	FT	3	FT	TO	10	FT	1.0	FT	7.0	FT	0.8
11	FT	TO	13	FT	3	FT	TO	7	FT	2.0	FT	4.0	FT	0.9
19	FT	TO	21	FT	0	FT	TO	3	FT	2.0	FT	3.0	FT	0.7
19	FT	TO	21	FT	8	FT	TO	10	FT	2.0	FT	2.0	FT	0.4
21	FT	TO	23	FT	0	FT	TO	12	FT	2.0	FT	12.0	FT	2.7
23	FT	TO	26	FT	0	FT	TO	10	FT	3.0	FT	10.0	FT	3.3
36	FT	TO	38	FT	0	FT	TO	7	FT	2.0	FT	7.0	FT	1.6
36	FT	TO	38	FT	10	FT	TO	12	FT	2.0	FT	2.0	FT	0.4
38	FT	TO	40	FT	0	FT	TO	12	FT	2.0	FT	12.0	FT	2.7
40	FT	TO	49	FT	0	FT	TO	3	FT	9.0	FT	3.0	FT	3.0
49	FT	TO	50	FT	0	FT	TO	7	FT	1.0	FT	7.0	FT	0.8
50	FT	TO	58	FT	0	FT	TO	3	FT	8.0	FT	3.0	FT	2.7
58	FT	TO	64	FT	0	FT	TO	12	FT	6.0	FT	12.0	FT	8.0
64	FT	TO	65	FT	0	FT	TO	8	FT	1.0	FT	8.0	FT	0.9
65	FT	TO	68	FT	0	FT	TO	3	FT	3.0	FT	3.0	FT	1.0
68	FT	TO	70	FT	0	FT	TO	12	FT	2.0	FT	12.0	FT	2.7
70	FT	TO	73	FT	0	FT	TO	10	FT	3.0	FT	10.0	FT	3.3
73	FT	TO	77	FT	0	FT	TO	6	FT	4.0	FT	6.0	FT	2.7
80	FT	TO	83	FT	0	FT	TO	3	FT	3.0	FT	3.0	FT	1.0
83	FT	TO	84	FT	0	FT	TO	12	FT	1.0	FT	12.0	FT	1.3
84	FT	TO	94	FT	0	FT	TO	3	FT	10.0	FT	3.0	FT	3.3
93	FT	TO	97	FT	0	FT	TO	1	FT	4.0	FT	1.0	FT	0.4
94	FT	TO	97	FT	6	FT	TO	12	FT	3.0	FT	6.0	FT	2.0
97	FT	TO	101	FT	0	FT	TO	3	FT	4.0	FT	3.0	FT	1.3
99	FT	TO	101	FT	10	FT	TO	12	FT	2.0	FT	2.0	FT	0.4
101	FT	TO	106	FT	0	FT	TO	1	FT	5.0	FT	1.0	FT	0.6
105	FT	TO	110	FT	8	FT	TO	9	FT	5.0	FT	1.0	FT	0.6
106	FT	TO	109	FT	1	FT	TO	3	FT	3.0	FT	2.0	FT	0.7
110	FT	TO	115	FT	0	FT	TO	3	FT	5.0	FT	3.0	FT	1.7
110	FT	TO	114	FT	3	FT	TO	9	FT	4.0	FT	6.0	FT	2.7
110	FT	TO	113	FT	11	FT	TO	12	FT	3.0	FT	1.0	FT	0.3
117	FT	TO	121	FT	0	FT	TO	3	FT	4.0	FT	3.0	FT	1.3
124	FT	TO	127	FT	9	FT	TO	12	FT	3.0	FT	3.0	FT	1.0
127	FT	TO	128	FT	3	FT	TO	12	FT	1.0	FT	9.0	FT	1.0
131	FT	TO	134	FT	0	FT	TO	4	FT	3.0	FT	4.0	FT	1.3
131	FT	TO	134	FT	8	FT	TO	12	FT	3.0	FT	4.0	FT	1.3

DECK SLAB REPAIR SCHEDULE														
WESTBOUND LANE														
LOCATION								DIMENSIONS				SQ YDS		
DECK LENGTH				DECK WIDTH				DECK LENGTH		DECK WIDTH				
134	FT	TO	135	FT	0	FT	TO	12	FT	1.0	FT	12.0	FT	1.3
135	FT	TO	139	FT	8	FT	TO	12	FT	4.0	FT	4.0	FT	1.8
139	FT	TO	140	FT	0	FT	TO	12	FT	1.0	FT	12.0	FT	1.3
140	FT	TO	141	FT	3	FT	TO	12	FT	1.0	FT	9.0	FT	1.0
141	FT	TO	142	FT	0	FT	TO	12	FT	1.0	FT	12.0	FT	1.3
142	FT	TO	143	FT	6	FT	TO	12	FT	1.0	FT	6.0	FT	0.7
144	FT	TO	145	FT	0	FT	TO	3	FT	1.0	FT	3.0	FT	0.3
147	FT	TO	149	FT	0	FT	TO	3	FT	2.0	FT	3.0	FT	0.7
147	FT	TO	149	FT	8	FT	TO	12	FT	2.0	FT	4.0	FT	0.9
153	FT	TO	163	FT	0	FT	TO	3	FT	10.0	FT	3.0	FT	3.3
155	FT	TO	159	FT	8	FT	TO	12	FT	4.0	FT	4.0	FT	1.8
157	FT	TO	160	FT	6	FT	TO	8	FT	3.0	FT	2.0	FT	0.7
162	FT	TO	164	FT	6	FT	TO	9	FT	2.0	FT	3.0	FT	0.7
164	FT	TO	166	FT	0	FT	TO	3	FT	2.0	FT	3.0	FT	0.7
167	FT	TO	173	FT	6	FT	TO	9	FT	6.0	FT	3.0	FT	2.0
170	FT	TO	176	FT	0	FT	TO	3	FT	6.0	FT	3.0	FT	2.0
180	FT	TO	182	FT	6	FT	TO	12	FT	2.0	FT	6.0	FT	1.3
186	FT	TO	187	FT	0	FT	TO	12	FT	1.0	FT	12.0	FT	1.3
187	FT	TO	190	FT	3	FT	TO	4	FT	3.0	FT	1.0	FT	0.3
187	FT	TO	190	FT	8	FT	TO	12	FT	3.0	FT	4.0	FT	1.3
193	FT	TO	194	FT	3	FT	TO	12	FT	1.0	FT	9.0	FT	1.0
194	FT	TO	195	FT	0	FT	TO	12	FT	1.0	FT	12.0	FT	1.3
202	FT	TO	205	FT	8	FT	TO	12	FT	3.0	FT	4.0	FT	1.3
TOTAL EASTBOUND LANE													93	

DATE: 04/12/05
FILE NAME: c:/projects/cmain06/cm304/details.dgn

REVISIONS	
NAME	DATE

ILLINOIS DEPARTMENT OF TRANSPORTATION
DECK SLAB REPAIR SCHEDULES
WESTBOUND LANE
F.A.I. ROUTE 57 SECTION (46-2HB)I
KANKAKEE COUNTY
S.N. 046-0088
STA. 225+59.91
DATE 04/12/05
DRAWN BY RLV
CHECKED BY

F.A.I. RYE	SECTION	COUNTY	TOTAL SHEETS	SHEET NO.
57	146-2HB1	KANKAKEE	10	5
STA. 1224+55.93 TO STA. 1226+60.23				

DECK SLAB REPAIR SCHEDULE
EASTBOUND LANE

LOCATION										DIMENSIONS			SQ YDS	
DECK LENGTH					DECK WIDTH					LENGTH	WIDTH			
4	FT	TO	7	FT	3	FT	TO	12	FT	3.0	FT	9.0	FT	3.0
7	FT	TO	10	FT	3	FT	TO	8	FT	3.0	FT	5.0	FT	1.7
10	FT	TO	12	FT	3	FT	TO	11	FT	2.0	FT	8.0	FT	1.8
12	FT	TO	14	FT	6	FT	TO	7	FT	2.0	FT	1.0	FT	0.2
12	FT	TO	14	FT	9	FT	TO	12	FT	2.0	FT	3.0	FT	0.7
14	FT	TO	16	FT	3	FT	TO	12	FT	2.0	FT	9.0	FT	2.0
16	FT	TO	17	FT	0	FT	TO	3	FT	1.0	FT	3.0	FT	0.3
16	FT	TO	18	FT	3	FT	TO	7	FT	2.0	FT	4.0	FT	0.9
19	FT	TO	22	FT	3	FT	TO	12	FT	3.0	FT	9.0	FT	3.0
22	FT	TO	23	FT	3	FT	TO	8	FT	1.0	FT	5.0	FT	0.6
23	FT	TO	25	FT	5	FT	TO	7	FT	2.0	FT	2.0	FT	0.4
25	FT	TO	27	FT	3	FT	TO	12	FT	2.0	FT	9.0	FT	2.0
27	FT	TO	28	FT	3	FT	TO	7	FT	1.0	FT	4.0	FT	0.4
46	FT	TO	48	FT	0	FT	TO	12	FT	2.0	FT	12.0	FT	2.7
48	FT	TO	50	FT	0	FT	TO	6	FT	2.0	FT	6.0	FT	1.3
50	FT	TO	54	FT	0	FT	TO	3	FT	4.0	FT	3.0	FT	1.3
52	FT	TO	54	FT	5	FT	TO	9	FT	2.0	FT	4.0	FT	0.9
63	FT	TO	65	FT	0	FT	TO	7	FT	2.0	FT	7.0	FT	1.6
65	FT	TO	67	FT	0	FT	TO	12	FT	2.0	FT	12.0	FT	2.7
67	FT	TO	70	FT	0	FT	TO	7	FT	3.0	FT	7.0	FT	2.3
70	FT	TO	72	FT	0	FT	TO	12	FT	2.0	FT	12.0	FT	2.7
72	FT	TO	74	FT	0	FT	TO	8	FT	2.0	FT	8.0	FT	1.8
74	FT	TO	76	FT	0	FT	TO	10	FT	2.0	FT	10.0	FT	2.2
76	FT	TO	78	FT	0	FT	TO	12	FT	2.0	FT	12.0	FT	2.7
78	FT	TO	80	FT	0	FT	TO	7	FT	2.0	FT	7.0	FT	1.6
80	FT	TO	81	FT	0	FT	TO	12	FT	1.0	FT	12.0	FT	1.3
81	FT	TO	84	FT	0	FT	TO	7	FT	3.0	FT	7.0	FT	2.3
84	FT	TO	86	FT	0	FT	TO	12	FT	2.0	FT	12.0	FT	2.7
86	FT	TO	88	FT	0	FT	TO	7	FT	2.0	FT	7.0	FT	1.6
92	FT	TO	96	FT	0	FT	TO	6	FT	4.0	FT	6.0	FT	2.7
96	FT	TO	98	FT	0	FT	TO	12	FT	2.0	FT	12.0	FT	2.7
98	FT	TO	100	FT	0	FT	TO	3	FT	2.0	FT	3.0	FT	0.7
102	FT	TO	104	FT	10	FT	TO	12	FT	2.0	FT	2.0	FT	0.4
104	FT	TO	106	FT	0	FT	TO	3	FT	2.0	FT	3.0	FT	0.7
107	FT	TO	110	FT	10	FT	TO	12	FT	3.0	FT	2.0	FT	0.7
110	FT	TO	113	FT	0	FT	TO	3	FT	3.0	FT	3.0	FT	1.0
113	FT	TO	115	FT	0	FT	TO	12	FT	2.0	FT	12.0	FT	2.7
115	FT	TO	117	FT	0	FT	TO	3	FT	2.0	FT	3.0	FT	0.7
124	FT	TO	127	FT	0	FT	TO	6	FT	3.0	FT	6.0	FT	2.0

DECK SLAB REPAIR SCHEDULE
EASTBOUND LANE

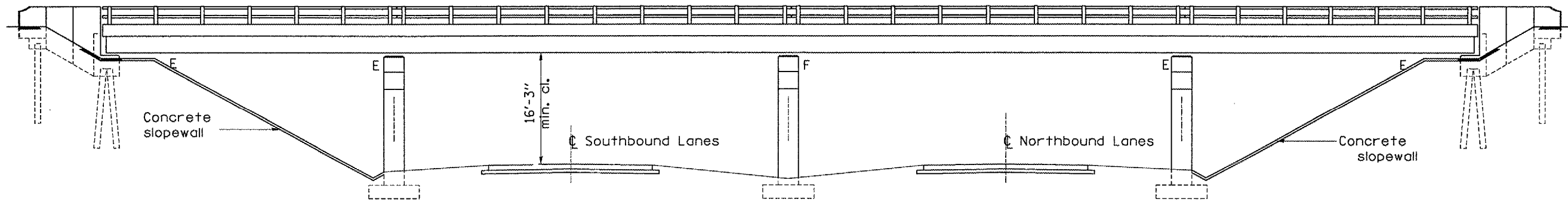
LOCATION										DIMENSIONS			SQ YDS	
DECK LENGTH					DECK WIDTH					LENGTH	WIDTH			
127	FT	TO	129	FT	3	FT	TO	12	FT	2.0	FT	9.0	FT	2.0
129	FT	TO	130	FT	0	FT	TO	7	FT	1.0	FT	7.0	FT	0.8
130	FT	TO	132	FT	0	FT	TO	7	FT	2.0	FT	7.0	FT	1.6
132	FT	TO	134	FT	0	FT	TO	12	FT	2.0	FT	12.0	FT	2.7
141	FT	TO	143	FT	0	FT	TO	3	FT	2.0	FT	3.0	FT	0.7
143	FT	TO	146	FT	3	FT	TO	8	FT	3.0	FT	5.0	FT	1.7
146	FT	TO	148	FT	3	FT	TO	12	FT	2.0	FT	9.0	FT	2.0
146	FT	TO	148	FT	0	FT	TO	1	FT	2.0	FT	1.0	FT	0.2
148	FT	TO	150	FT	0	FT	TO	7	FT	2.0	FT	7.0	FT	1.6
148	FT	TO	150	FT	10	FT	TO	12	FT	2.0	FT	2.0	FT	0.4
152	FT	TO	155	FT	0	FT	TO	8	FT	3.0	FT	8.0	FT	2.7
153	FT	TO	155	FT	8	FT	TO	12	FT	2.0	FT	4.0	FT	0.9
155	FT	TO	156	FT	3	FT	TO	6	FT	1.0	FT	3.0	FT	0.3
156	FT	TO	159	FT	0	FT	TO	6	FT	3.0	FT	6.0	FT	2.0
157	FT	TO	159	FT	7	FT	TO	11	FT	2.0	FT	4.0	FT	0.9
162	FT	TO	164	FT	4	FT	TO	10	FT	2.0	FT	6.0	FT	1.3
168	FT	TO	171	FT	3	FT	TO	7	FT	3.0	FT	4.0	FT	1.3
170	FT	TO	171	FT	0	FT	TO	3	FT	1.0	FT	3.0	FT	0.3
180	FT	TO	181	FT	0	FT	TO	3	FT	1.0	FT	3.0	FT	0.3
180	FT	TO	182	FT	3	FT	TO	8	FT	2.0	FT	5.0	FT	1.1
182	FT	TO	186	FT	0	FT	TO	3	FT	4.0	FT	3.0	FT	1.3
192	FT	TO	193	FT	0	FT	TO	7	FT	1.0	FT	7.0	FT	0.8
193	FT	TO	195	FT	0	FT	TO	12	FT	2.0	FT	12.0	FT	2.7
195	FT	TO	198	FT	0	FT	TO	6	FT	3.0	FT	6.0	FT	2.0
TOTAL EASTBOUND LANE													94	

DATE: 04/12/05
FILE NAME: c:\projects\cmain06\cm304\details.dgn

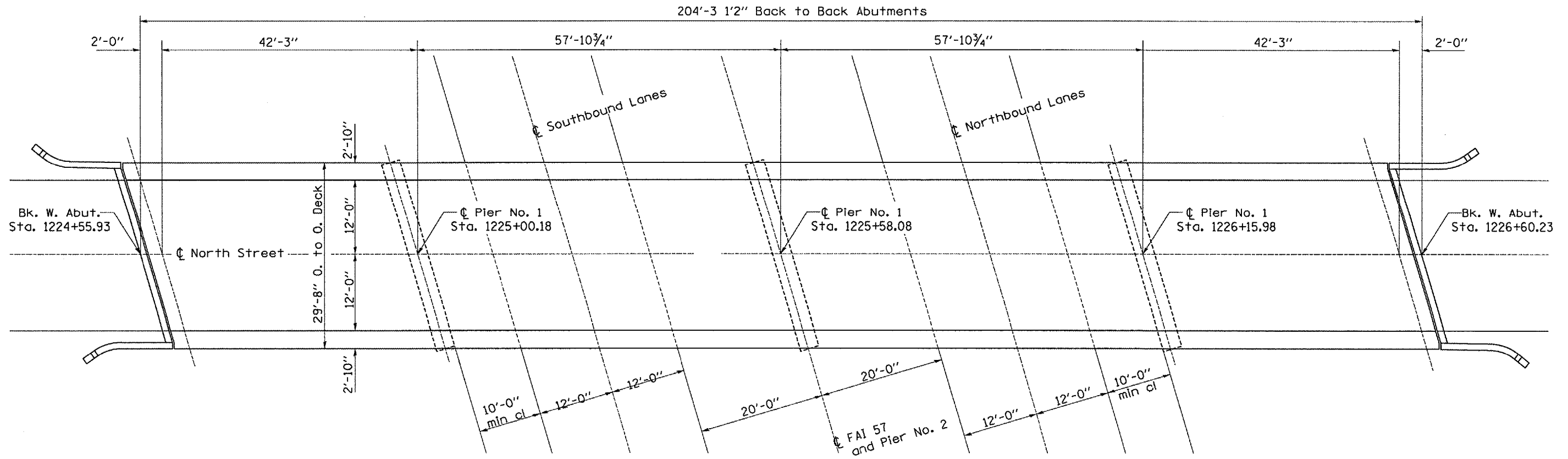
REVISIONS	
NAME	DATE

ILLINOIS DEPARTMENT OF TRANSPORTATION
DECK SLAB REPAIR SCHEDULES
EASTBOUND LANE
F.A.I. ROUTE 57 SECTION (46-2HB1)
KANKAKEE COUNTY
S.N. 046-0088
STA. 225+59.91
DATE 04/12/05
DRAWN BY RLW
CHECKED BY

F.A.I. RTE.	SECTION	COUNTY	TOTAL SHEETS	SHEET NO.
57	(46-2HB)I	KANKAKEE	10	6
STA. 1224+55.93		TO STA. 1226+60.23		



**ELEVATION
LOOKING NORTH**



PLAN

DATE: 04/12/05
FILE NAME: c:\projects\cmain06\cm304\details.dgn

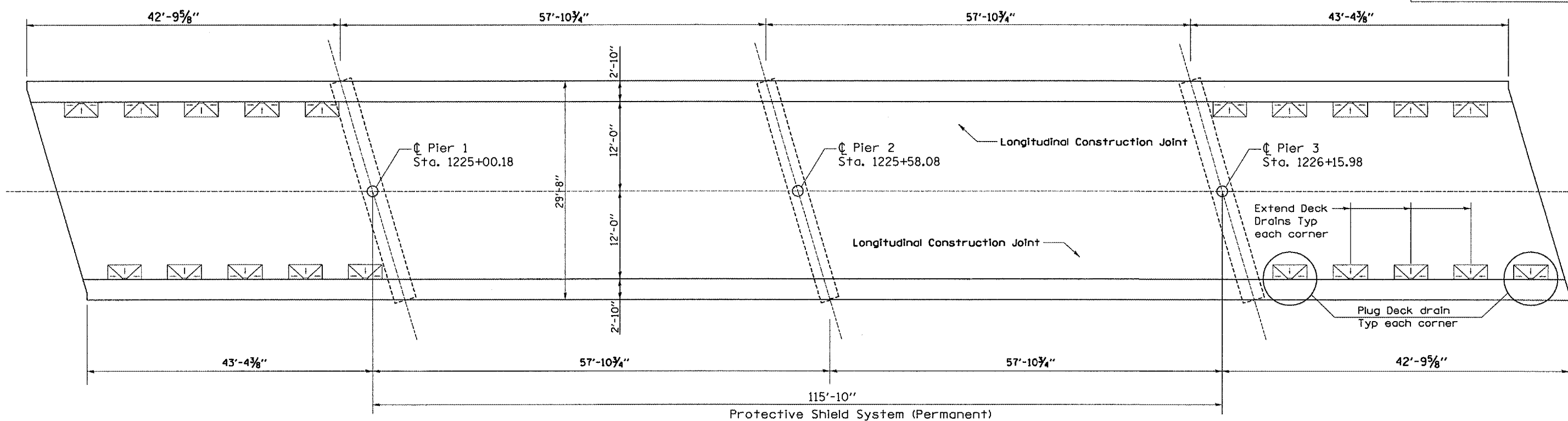
REVISIONS	
NAME	DATE

ILLINOIS DEPARTMENT OF TRANSPORTATION
GENERAL PLAN AND ELEVATION
F.A.I. ROUTE 57 SECTION (46-2HB)I
KANKAKEE COUNTY
S.N. 046-0088
STA. 225+59.91

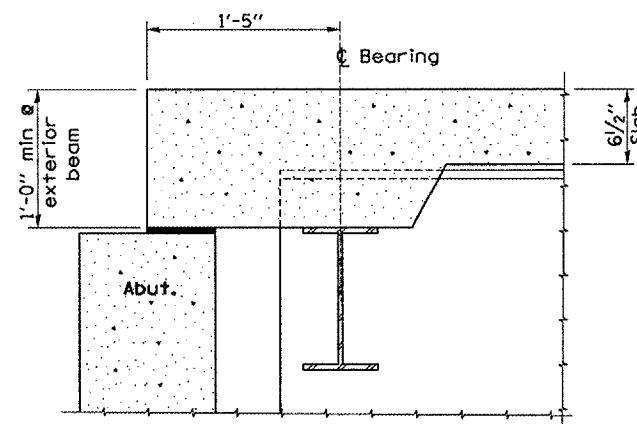
DATE 04/12/05

DRAWN BY R.L.W.
CHECKED BY

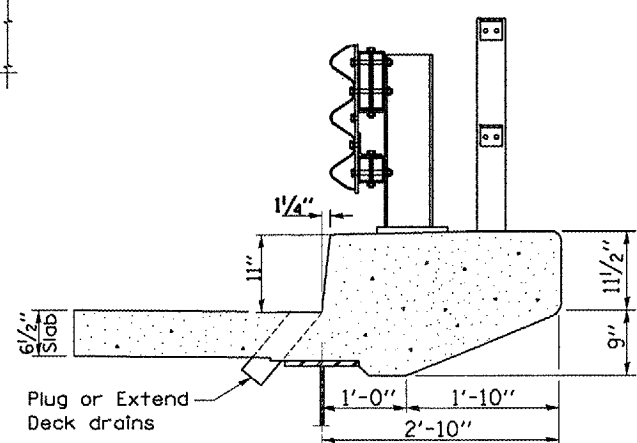
F.A.I. RTE.	SECTION	COUNTY	TOTAL SHEETS	SHEET NO.
57	146-2HB11	KANKAKEE	10	7
STA. 1224+55.93 TO STA. 1226+60.23				



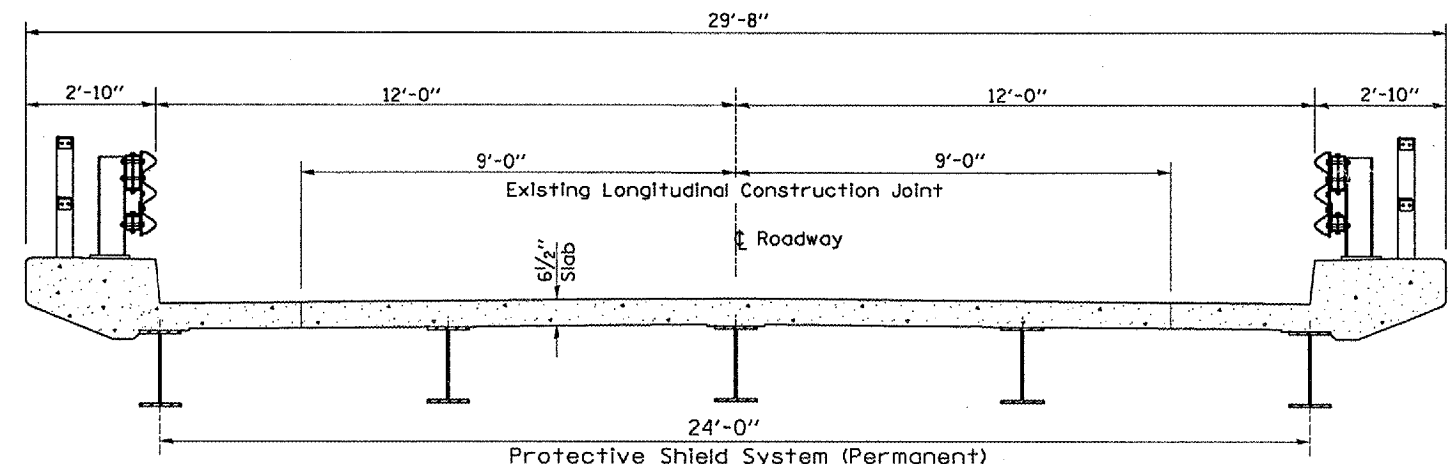
PLAN



EXISTING SECTION AT ABUT.



EXISTING SECTION AT CURB

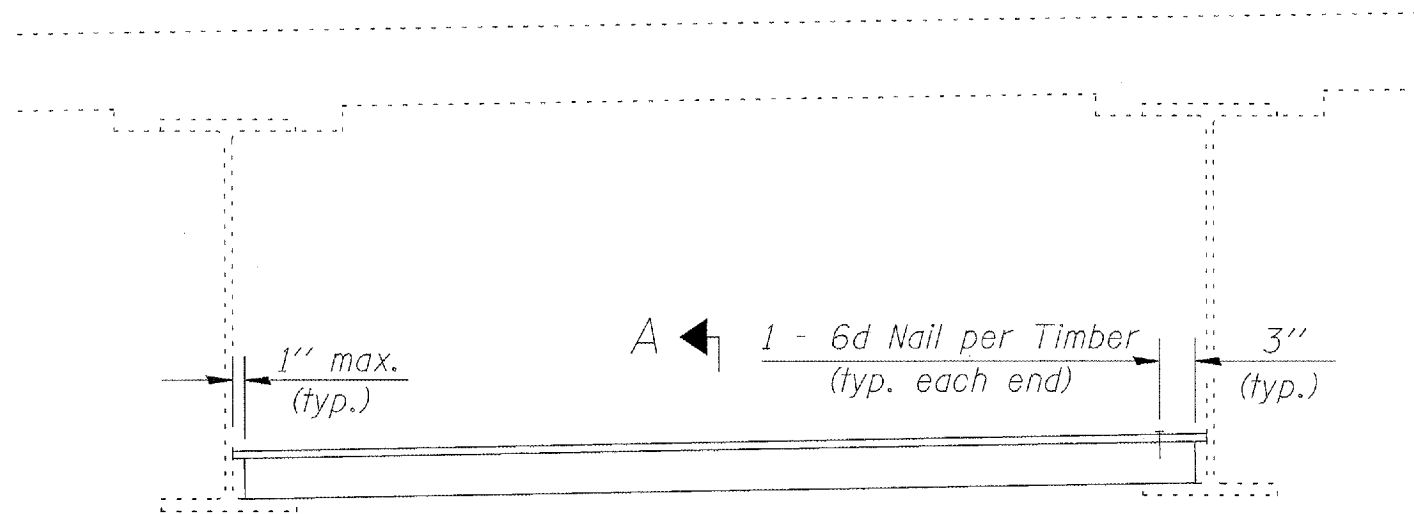


EXISTING CROSS SECTION

REVISIONS	
NAME	DATE

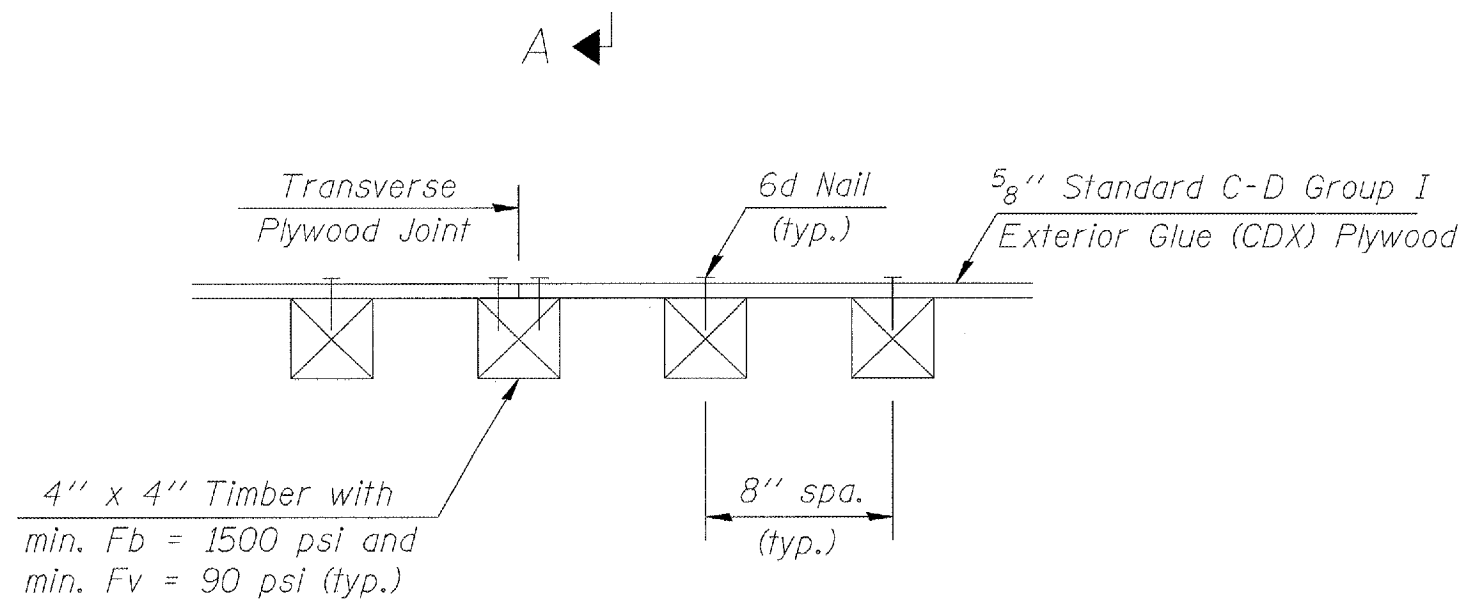
ILLINOIS DEPARTMENT OF TRANSPORTATION
SUPERSTRUCTURE DETAILS
 F.A.I. ROUTE 57 SECTION (46-2HB1)
 KANKAKEE COUNTY
 S.N. 046-0088
 STA. 225 + 59.91
 DATE 04/12/05
 DRAWN BY RLW
 CHECKED BY

DATE: 04/12/05
 FILE NAME: c:\projects\main06\cm304\details.dgn



Notes:

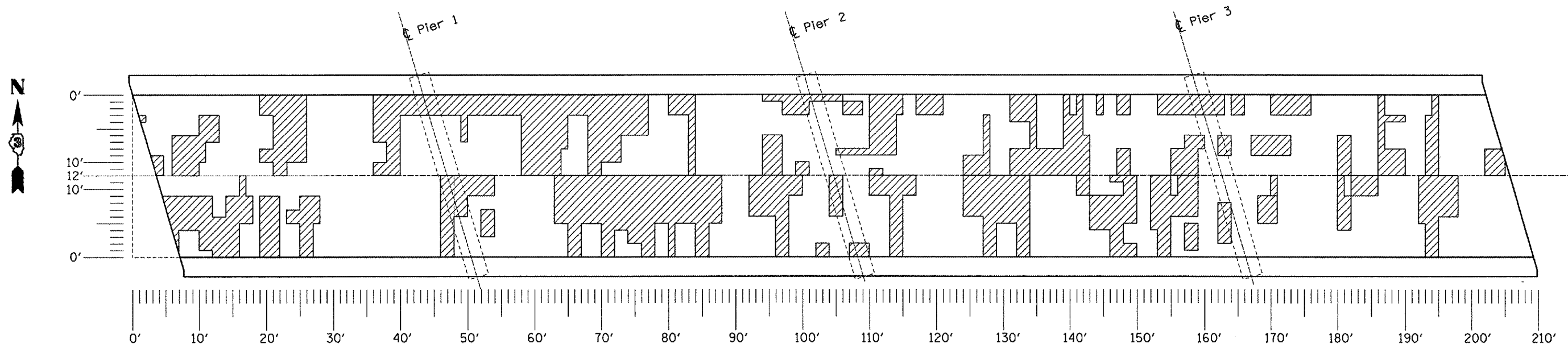
Plywood shall be placed such that the face grain is perpendicular to the timber supports.
When less than a full sheet (4' width) of plywood is used, the width of the strip used shall not be less than 2'.
Transverse plywood joints shall be supported by timbers.



SECTION A-A

PERMANENT PROTECTIVE
SHIELD DETAILS

F.A.I. RTE.	SECTION	COUNTY	TOTAL SHEETS	SHEET NO.
57	(46-2HB)I	KANKAKEE	10	8
STA. 1224+55.93 TO STA. 1226+60.23				



NOTES:

Hatched areas represent Deck Slab Repair (Partial Depth)

Deck lengths are measured from the inside curb face at the northwest corner of the deck for both lanes of traffic.

Deck widths are measured from the face of curb to centerline of roadway.

The Engineer shall record the actual locations of the deck repair on the "As-Built" plans.

Date of Deck Survey: 04/20/05

DATE: 04/12/05
 FILE NAME: c:/projects/cmain06/cm304/details.dgn

REVISIONS	
NAME	DATE

ILLINOIS DEPARTMENT OF TRANSPORTATION

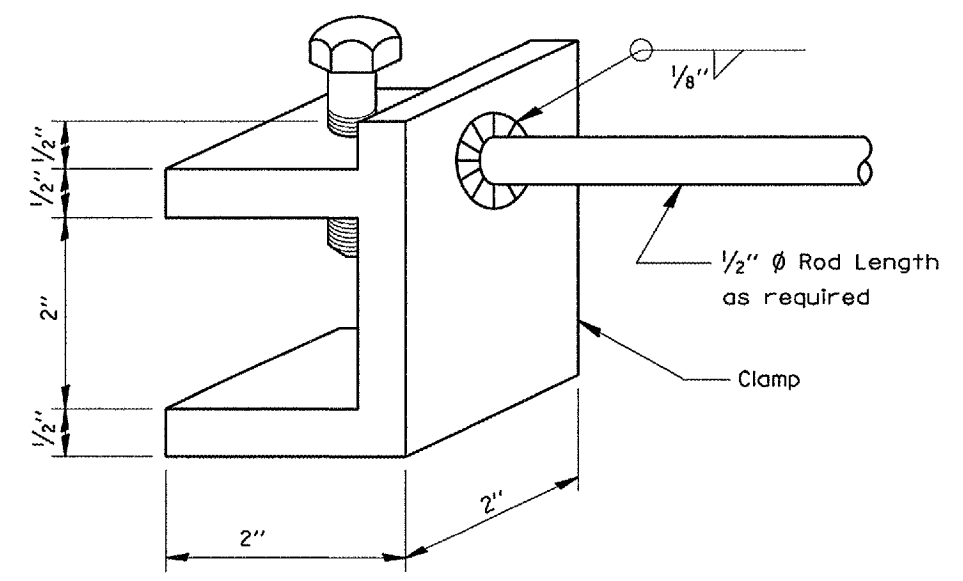
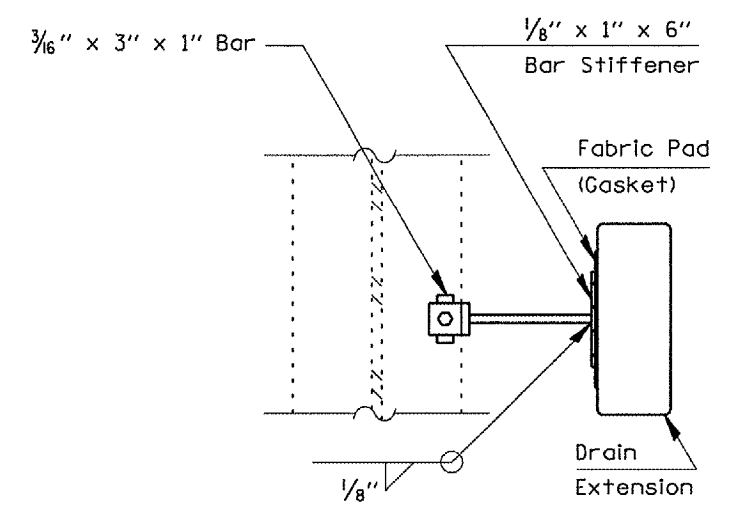
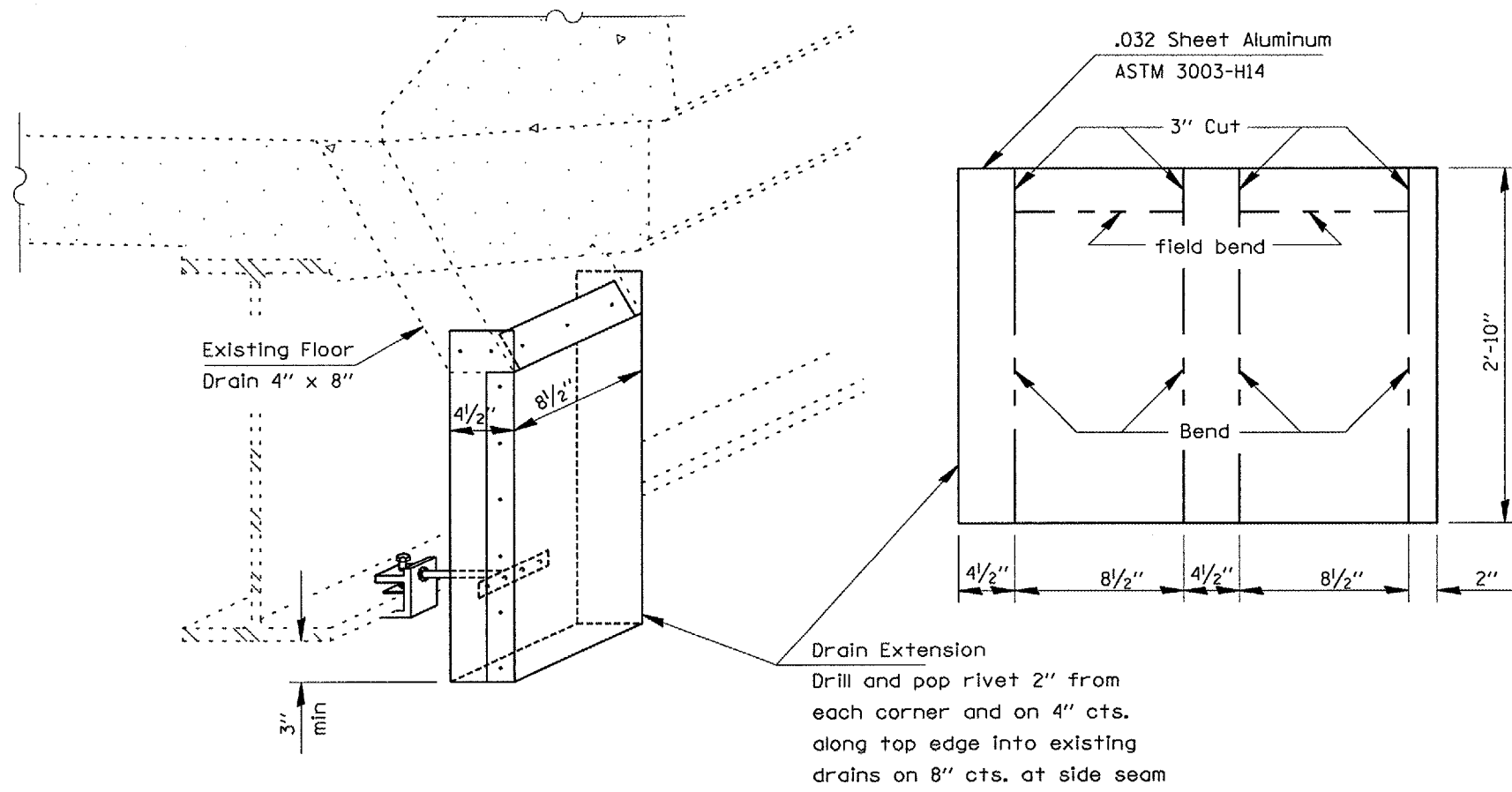
DECK SLAB REPAIR SURVEY

F.A.I. ROUTE 57 SECTION (46-2HB)I
 KANKAKEE COUNTY
 S.N. 046-0088
 STA. 225 + 59.91

DATE 04/12/05

DRAWN BY RLW
 CHECKED BY

F.A.I. RTE.	SECTION	COUNTY	TOTAL SHEETS	SHEET NO.
57	(46-2HB)I	KANKAKEE	10	9
STA. 1224+55.93 TO STA. 1226+60.23				



STEEL CLAMP

Notes: Pop rivet the 1/8" x 1" bar to drain extension. Weld or securely attach rod to both the clamp and bar stiffener. Use 3/16" stainless steel pop rivets of sufficient length.

Clamp shown in approximate dimensions. Similar commercially available may be substituted.

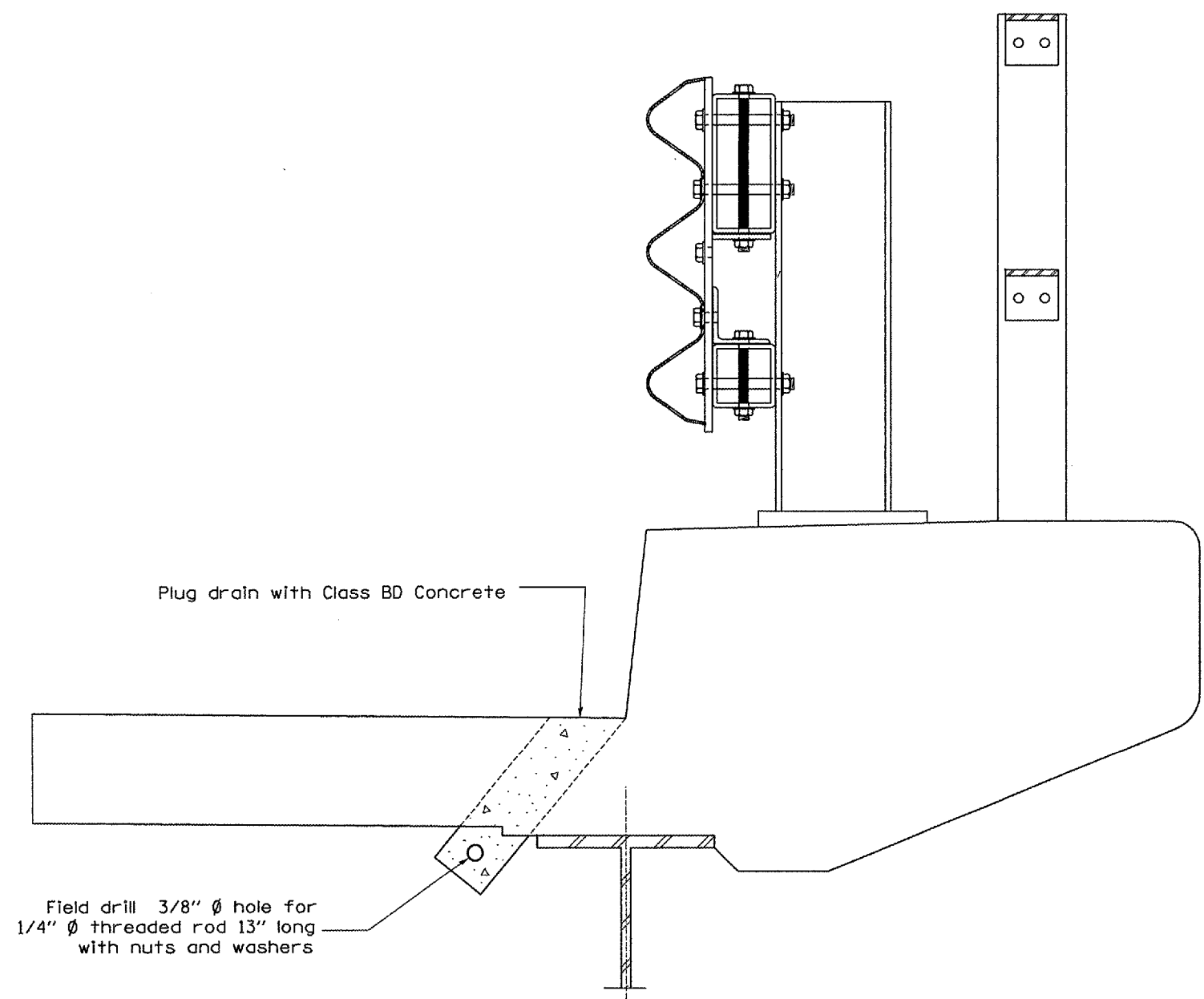
- * Field measure cut to fit existing drain.
- An aluminum extrusion drain extension of similar dimensions may be substituted.

REVISIONS	
NAME	DATE

ILLINOIS DEPARTMENT OF TRANSPORTATION
DECK DRAIN EXTENSION DETAILS
 F.A.I. ROUTE 57 SECTION (46-2HB)I
 KANKAKEE COUNTY
 S.N. 046-0088
 STA. 225+59.91
 DATE 04/12/05
 DRAWN BY RLW
 CHECKED BY

DATE: 04/12/05
 FILE NAME: c:/projects/cmain06/cm304/details.dgn

F.A.I. RTE.	SECTION	COUNTY	TOTAL SHEETS	SHEET NO.
57	(46-2HB)I	KANKAKEE	10	10
STA. 1224+55.93		TO STA. 1226+60.23		



EXISTING SECTION AT ABUT.

DATE: 04/12/05
FILE NAME: c:/projects/cmain06/cm304/details.dgn

REVISIONS	
NAME	DATE

ILLINOIS DEPARTMENT OF TRANSPORTATION
DECK DRAIN ELIMINATION DETAILS
F.A.I. ROUTE 57 SECTION (46-2HB)I
KANKAKEE COUNTY
S.N. 046-0088
STA. 225 + 59.91
DATE 04/12/05
DRAWN BY RLV
CHECKED BY