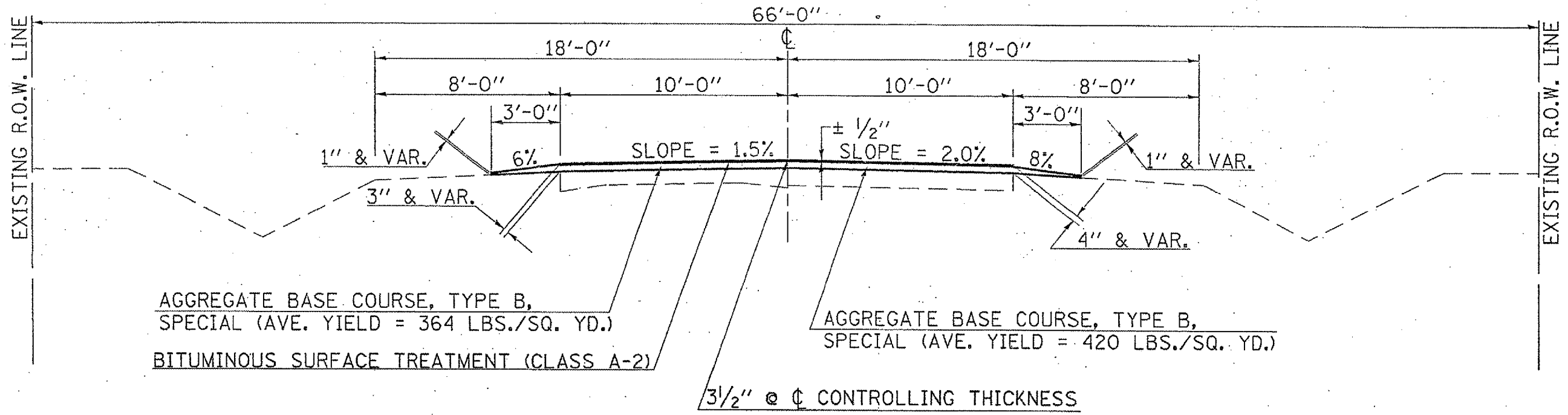


# PROPOSED TYPICAL CROSS SECTION ①

STATION 0+09 TO STATION 79+05 ②

F.A.S. RTE.	SECTION	COUNTY	TOTAL SHEETS	SHEET NO.
1678	6 MFT, Q	EDGAR	29	7

CONTRACT NO: 70467



# PROPOSED TYPICAL CROSS SECTION ②

① STATION 79+05 TO STATION 105+45

