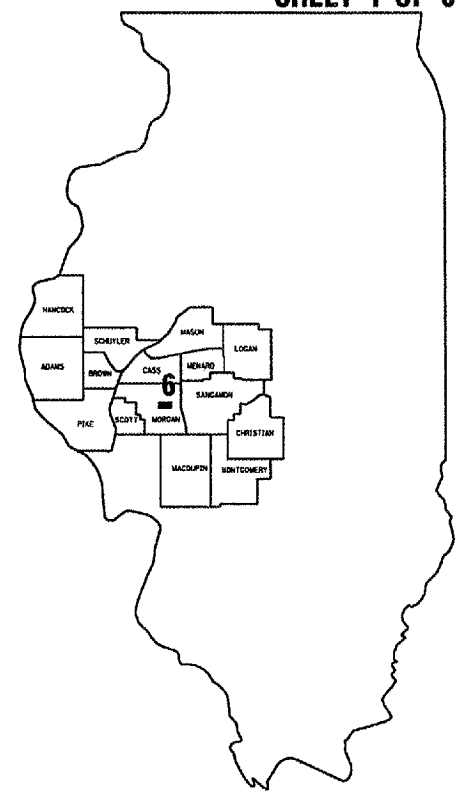
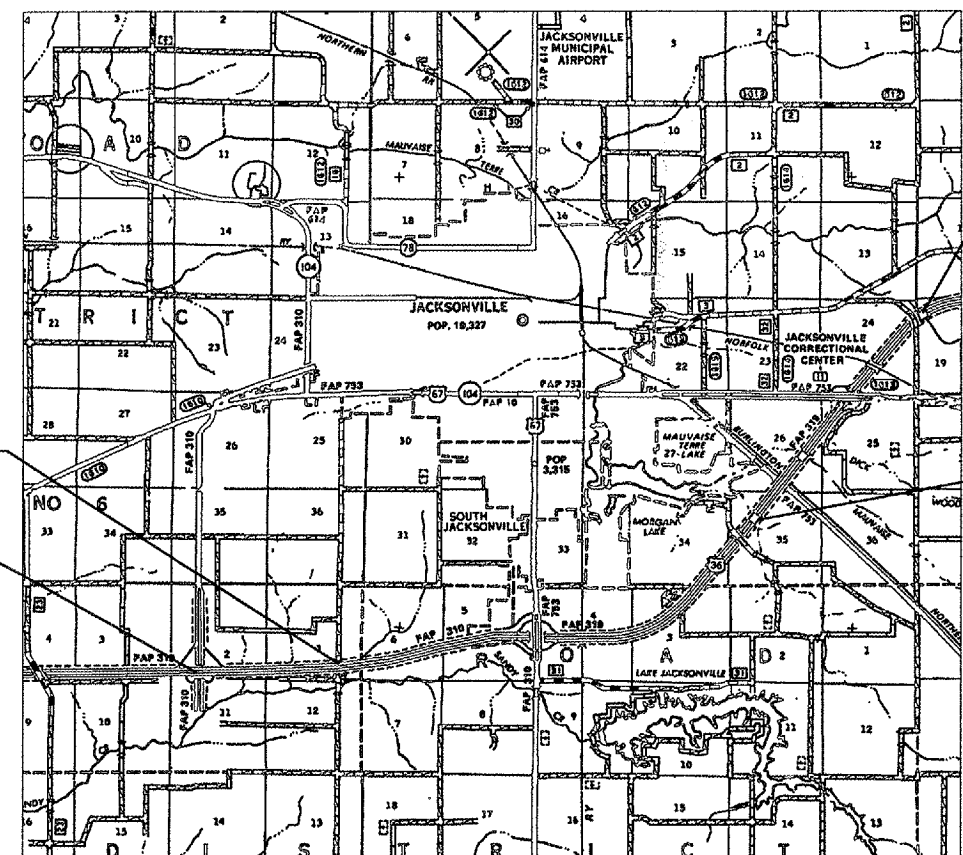


FOR INDEX OF SHEETS AND HIGHWAY
STANDARDS, SEE SHEET 2.

STATE OF ILLINOIS
DEPARTMENT OF TRANSPORTATION
DIVISION OF HIGHWAYS
**PLANS FOR PROPOSED
CONTRACT MAINTENANCE**
FAI 72 (I-72)
SECTION D-6 JOINT REPLACE 2006
MORGAN COUNTY
C96-004-06 / D96-023-05



LOCATION OF SECTION INDICATED THUS: ■



STRUCT. #069-0058
STA. 125+11.24

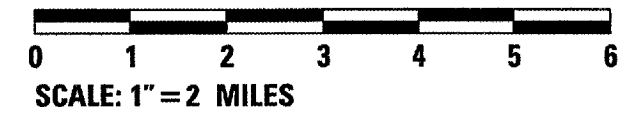
STRUCT. #069-0056
STA. 48+91.70

STRUCT. #069-0048
STA. 110+30.00

STRUCT. #069-0038
& 069-0039
STA. 1171+22.00

J. U. L. I. E.
JOINT UTILITY LOCATION INFORMATION FOR EXCAVATION
1-800-892-0123

DESIGN & PLANNING ENGINEER: CECIL DOWNING
PLANS & CONTRACT TECHNICIAN: TIMOTHY SHARP
PHONE: (217) 782-7743



STATE OF ILLINOIS
DEPARTMENT OF TRANSPORTATION
DIVISION OF HIGHWAYS

SUBMITTED May 26, 2005

Christ H. Reed
DEPUTY DIRECTOR OF HIGHWAYS, REGION ENGINEER

July 1, 2005
Mike Hene
ENGINEER OF DESIGN AND ENVIRONMENT

July 1, 2005
Victor Madler
DIRECTOR OF HIGHWAYS, CHIEF ENGINEER

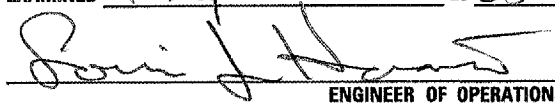

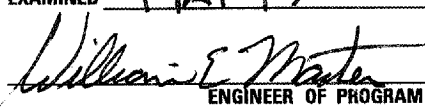
CONTRACT NO. 72A06

INDEX

- 1 COVER
- 2 INDEX / STDS / SIGNATURES
- 3 QUANTITIES
- 4 TYPICAL SECTION
- 5-6 JOINT DETAILS

STANDARDS

- 701101-01
- 701400-02
- 701401-03
- 701406-04
- 701411-03
- 702001-05

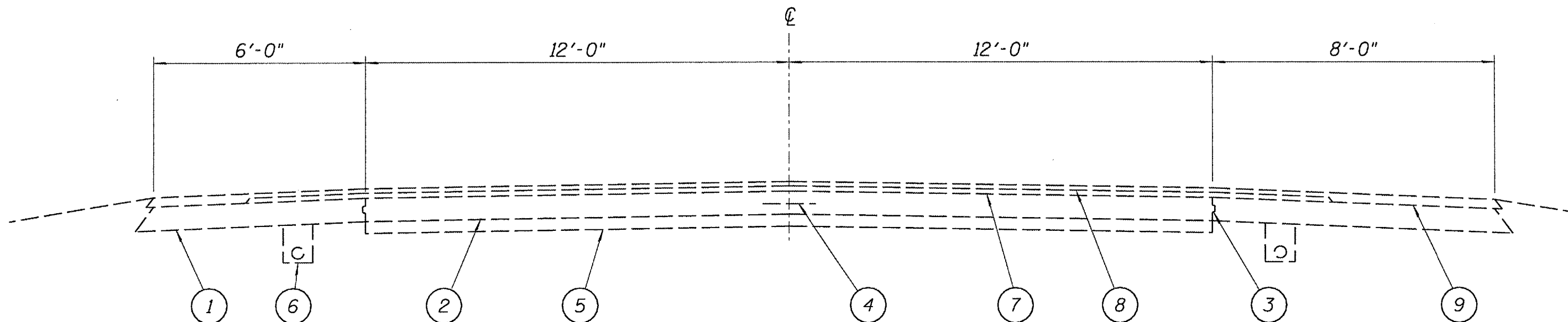
STATE OF ILLINOIS DEPARTMENT OF TRANSPORTATION DIVISION OF HIGHWAYS DISTRICT 6		
EXAMINED	May 24	20 05
		ENGINEER OF OPERATIONS
EXAMINED	May 16	20 05
		ENGINEER OF PROGRAM IMPLEMENTATION
EXAMINED	MAY 19	20 05
		ENGINEER OF PROGRAM DEVELOPMENT

INDEX / STDS / SIGNATURES
FAI 72 (I-72)
SECT. D-6 JOINT REPLACE 2006
MORGAN COUNTY

S U M M A R Y O F Q U A N T I T I E S

CODE NO.	ITEM	UNIT	100% STATE
			TOTAL QTY SFTY-2A
67100100	MOBILIZATION	L SUM	1
70100305	TRAFFIC CONTROL AND PROTECTION, STANDARD 701400	L SUM	1
70100420	TRAFFIC CONTROL AND PROTECTION, STANDARD 701411	EACH	1
70100700	TRAFFIC CONTROL AND PROTECTION, STANDARD 701406	L SUM	1
70100800	TRAFFIC CONTROL AND PROTECTION, STANDARD 701401	L SUM	1
Z0021600	EXPANSION JOINT 4"	FOOT	84
Z0043900	PREFORMED JOINT FILLER	FOOT	84

QUANTITIES
FAI 72 (I-72)
SECT. D-6 JOINT REPLACE 2006
MORGAN COUNTY

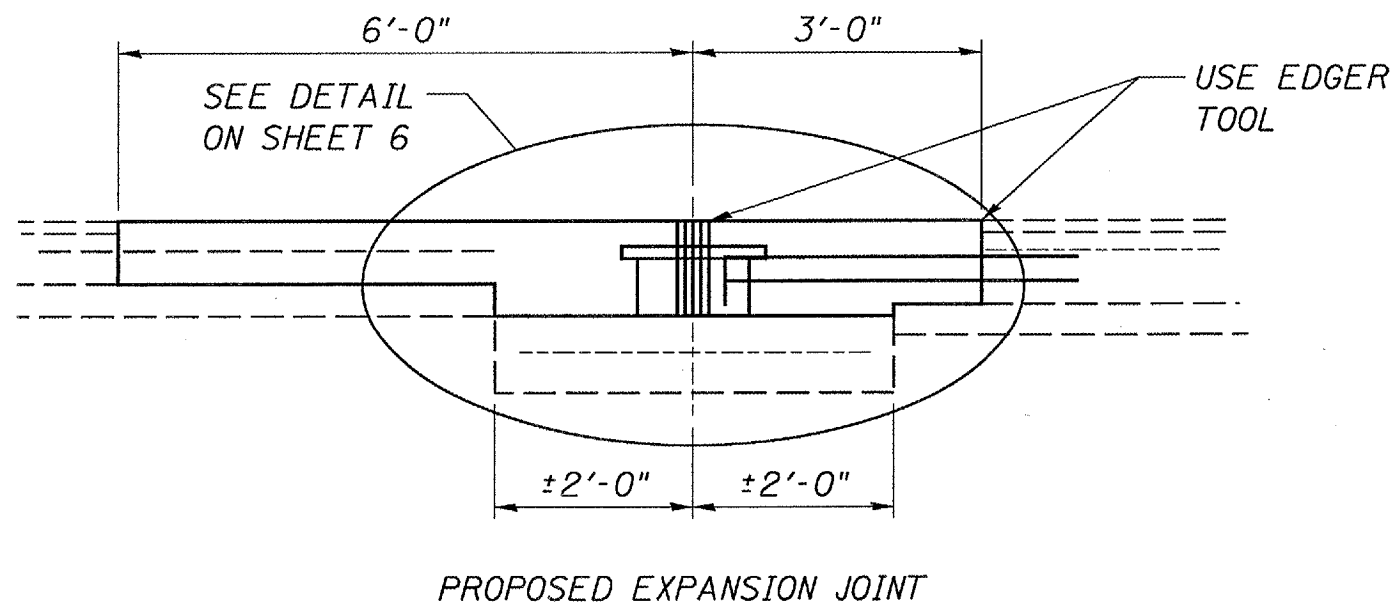
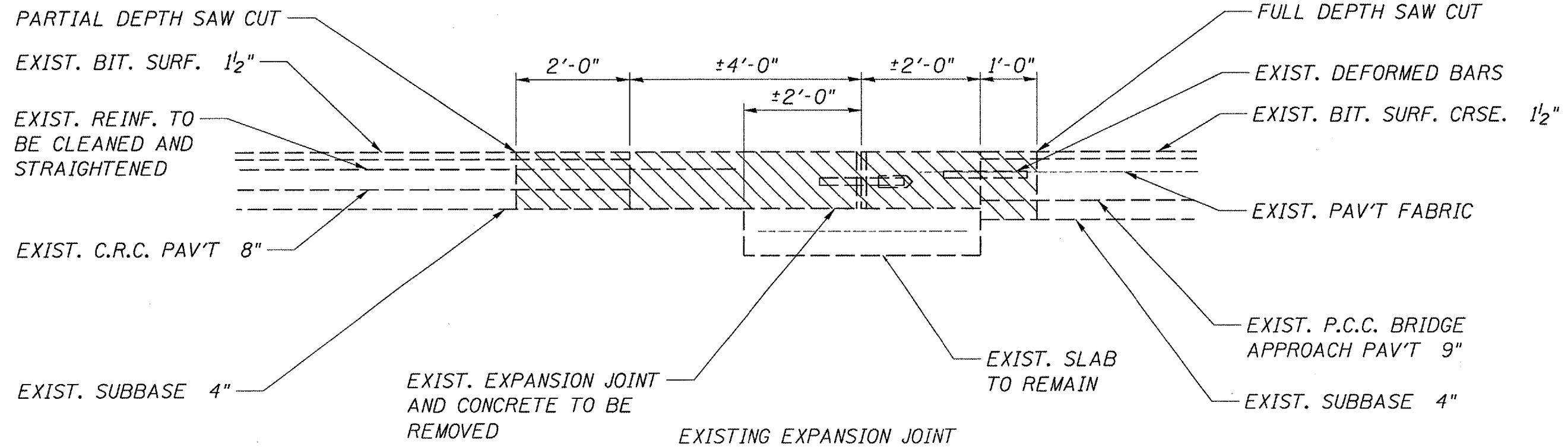


STRUCTURE NUMBERS
069-0038, 069-0039,
069-0048, 069-0056
& 069-0058

L E G E N D

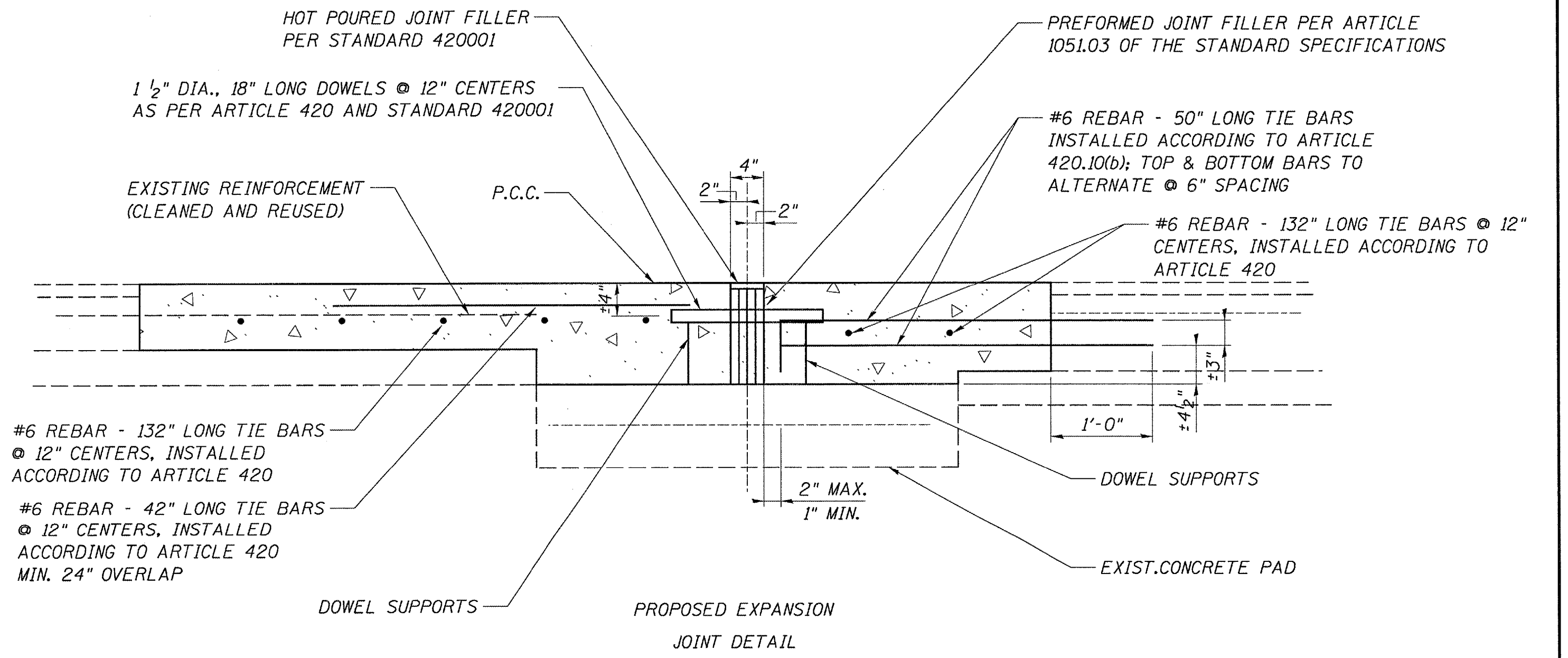
- 1 - EXIST. STABILIZED SHOULDERS 8"
- 2 - EXIST. P.C.C. PAVEMENT 8"
- 3 - EXIST. KEYWAY
- 4 - EXIST. LONGITUDINAL JOINT
- 5 - EXIST. STABILIZED SUB-BASE 4"
- 6 - EXIST. SUB-SURFACE DRAINS
- 7 - EXIST. BIT. BINDER. CRSE., MIX B CLASS I 1³/₄"
- 8 - EXIST. BIT. SURF. CRSE., MIX D, CLASS I 1¹/₂"
- 9 - EXIST. BIT. SHOULDER 3"

TYPICAL SECTION
FAI 72 (I-72)
SECT. D-6 JOINT REPLACE 2006
MORGAN COUNTY



JOINT REPLACEMENT SCHEDULE		
STRUCTURE NO.	STATION	
069-0038	1173+17	EASTBOUND DRIVING LANE
069-0039	1170+29	WESTBOUND DRIVING LANE
069-0048	108+10	EASTBOUND PASSING LANE
069-0048	112+50	EASTBOUND PASSING LANE
069-0056	46+51	EASTBOUND DRIVING LANE
069-0056	51+32	EASTBOUND DRIVING LANE
069-0058	126+86	EASTBOUND PASSING LANE

JOINT DETAILS
FAI 72 (I-72)
SECT. D-6 JOINT REPLACE 2006
MORGAN COUNTY



JOINT DETAILS
FAI 72 (I-72)
SECT. D-6 JOINT REPLACE 2006
MORGAN COUNTY