

F.A.P. RTE.	SECTION	COUNTY	TOTAL SHEETS	SHEET NO.
726		JEFFERSON	10	8
STA.	TO STA.			
FED. ROAD DIST. NO.	ILLINOIS	FED. AID PROJECT		

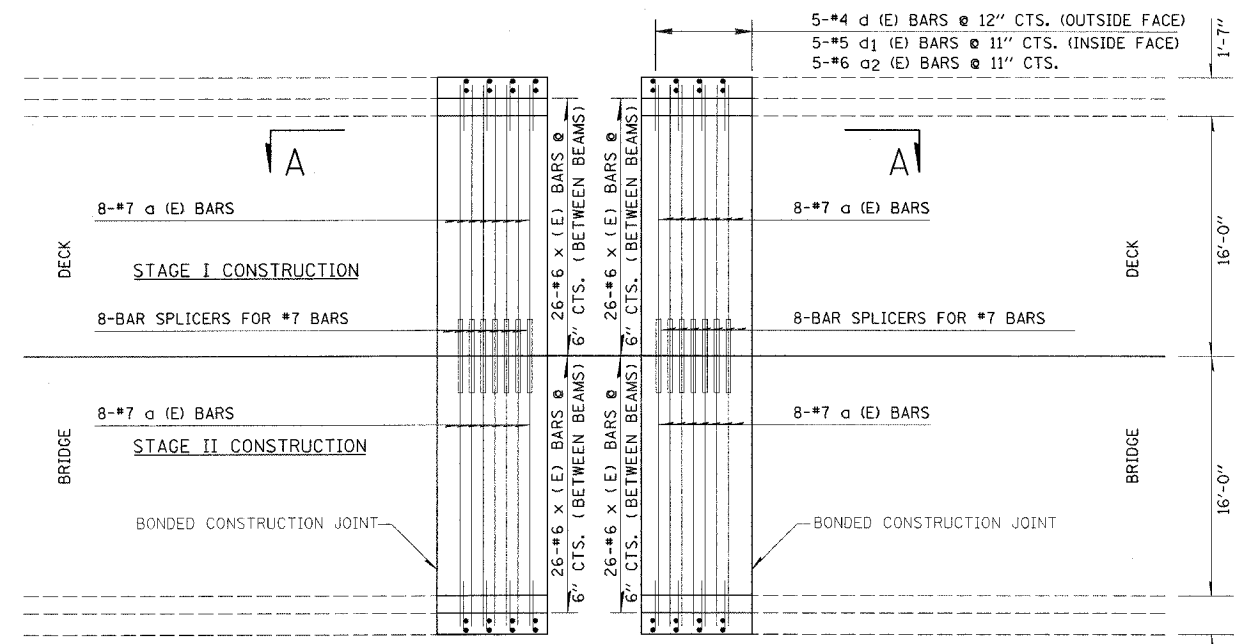
D-7 JOINT REPAIRS 2005-1

BAR LIST - PIER 4 - STR #041-0096

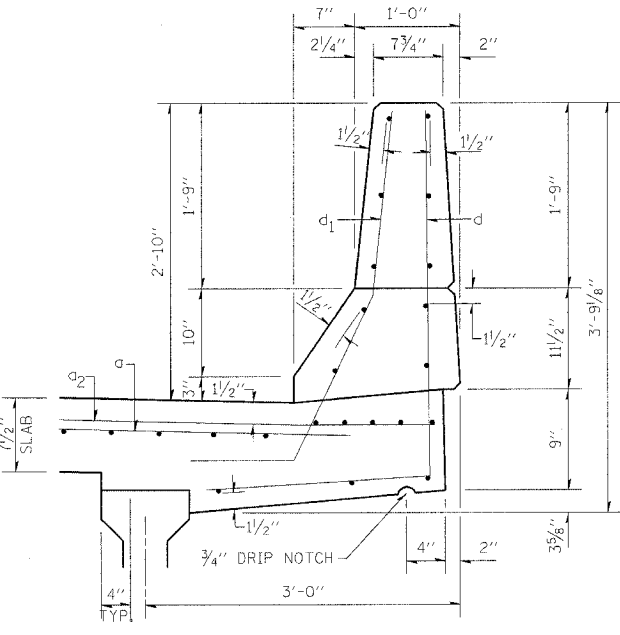
BAR	NUMBER OF BARS		TOTAL	SIZE	LENGTH	SHAPE
	STAGE I	STAGE II				
a (E)	16	16	32	#7	15'-1"	—
a1 (E)	20	20	40	#6	6'-6"	—
a2 (E)	10	10	20	#6	4'-0"	—
d (E)	10	10	20	#4	4'-10"	J
d1 (E)	10	10	20	#5	4'-1"	J
x (E)	52	52	104	#6	6'-11"	—

REINFORCEMENT BARS DESIGNATED (E) SHALL BE EPOXY COATED

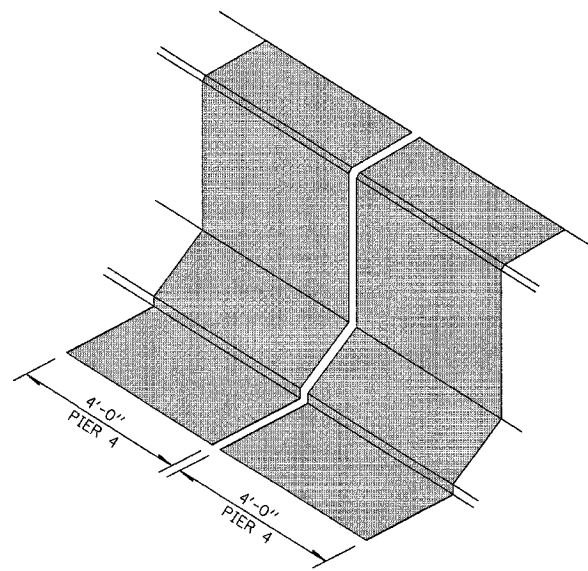
CONCRETE REMOVAL (LIMITS ARE FROM OUT TO OUT OF DECK)



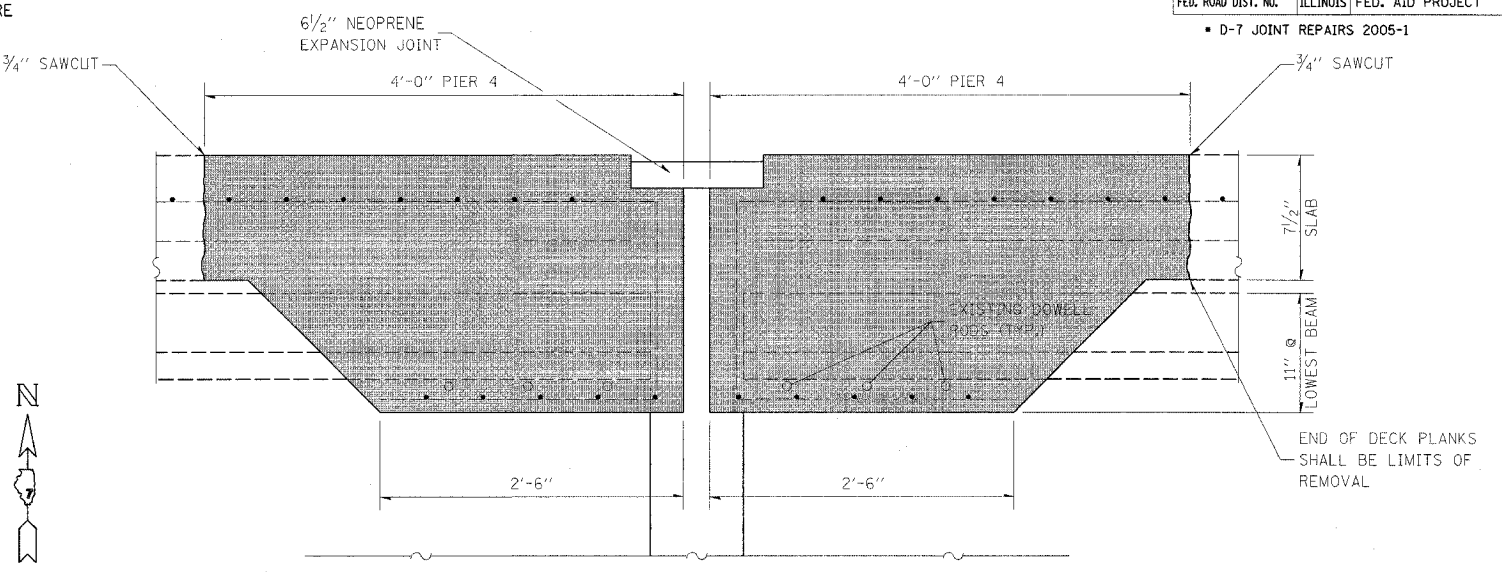
REINFORCEMENT DETAIL PIER 4



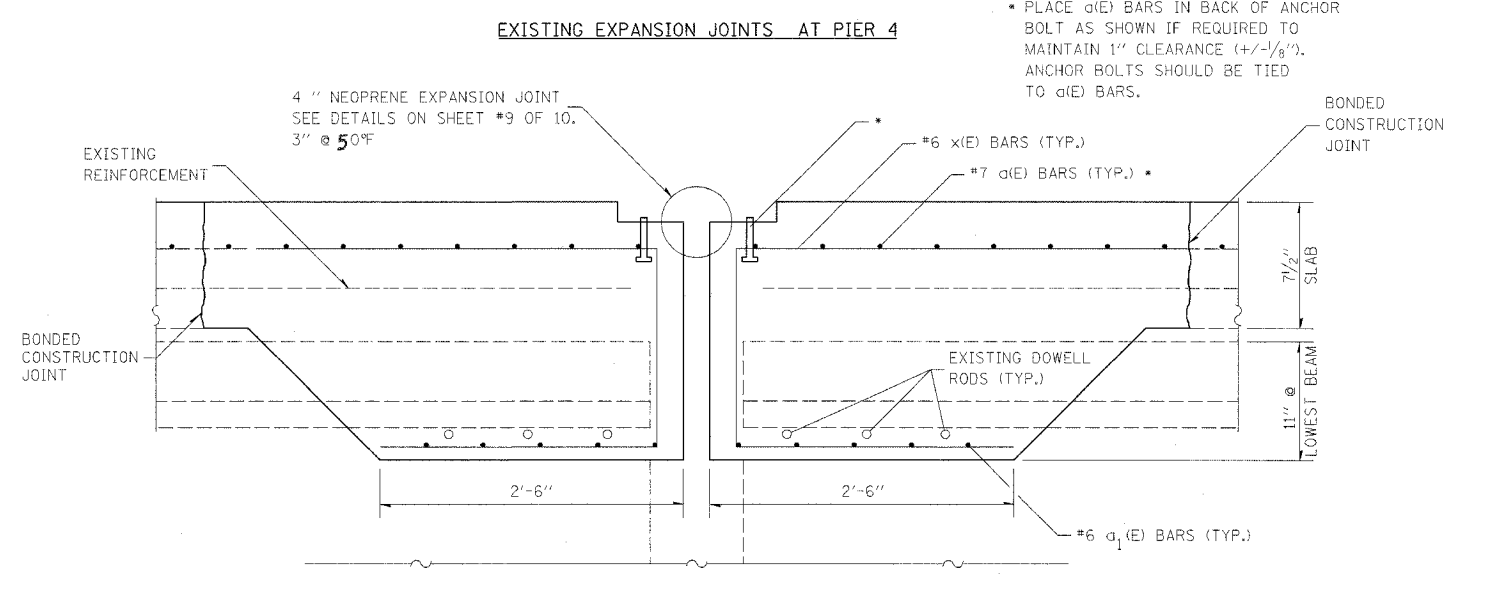
PARAPET DETAIL



TYPICAL CONCRETE REPLACEMENT PIER 4

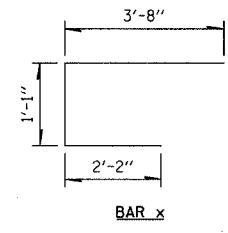
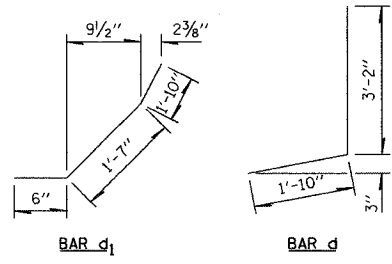


EXISTING EXPANSION JOINTS AT PIER 4



PROPOSED EXPANSION JOINTS AT PIER 4

NOTE: EXISTING REINFORCEMENT BARS AND DOWELL RODS ARE TO BE CLEANED, STRIGHTENED AND INCORPORATED INTO THE NEW CONSTRUCTION. ANY REINFORCEMENT BARS THAT ARE DAMAGED DURING CONCRETE REMOVAL OPERATIONS SHALL BE REPLACED USING AN APPROVED BAR SPLICER OR ANCHORAGE SYSTEM (COST INCLUDED IN CONCRETE REMOVAL).



REVISIONS	
NAME	DATE

ILLINOIS DEPARTMENT OF TRANSPORTATION
EXPANSION JOINT DETAILS
PIER 4
STR #041-0096

SCALE: VERT. DATE
 HORIZ. DATE
 DRAWN BY
 CHECKED BY

steffernik
 3/29/2005
 c:\projects\74073\d05404\p.dgn
 E J 9 6 4

PLOT DATE = 3/29/2005
 FILE NAME = #FILE#
 PLOT SCALE = #SCALE#
 REFERENCE = #REF#