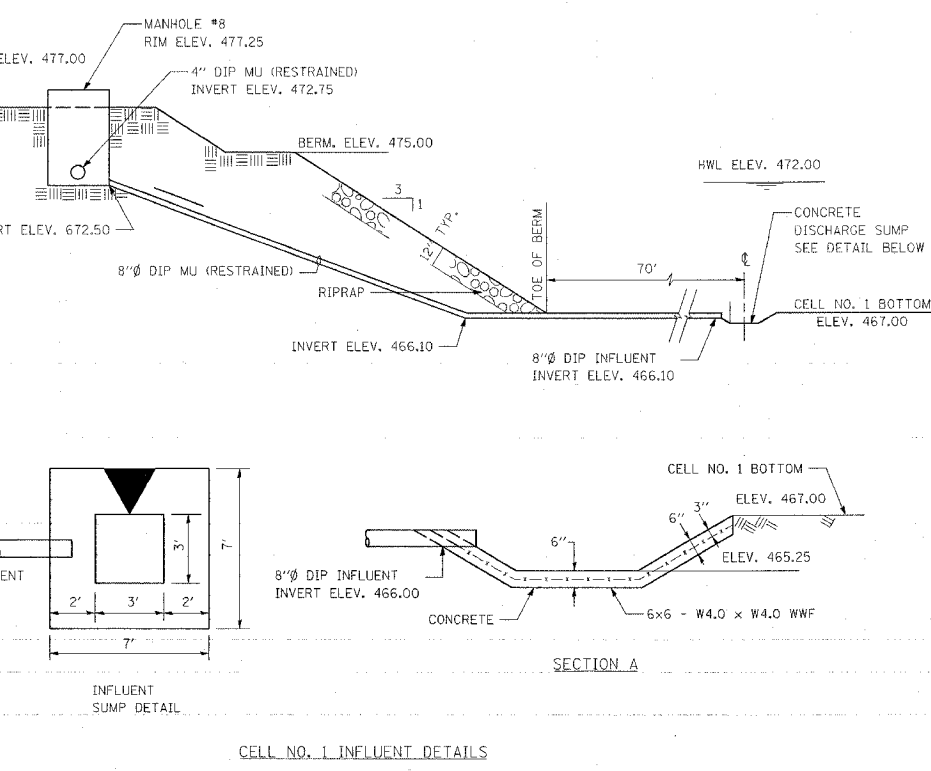
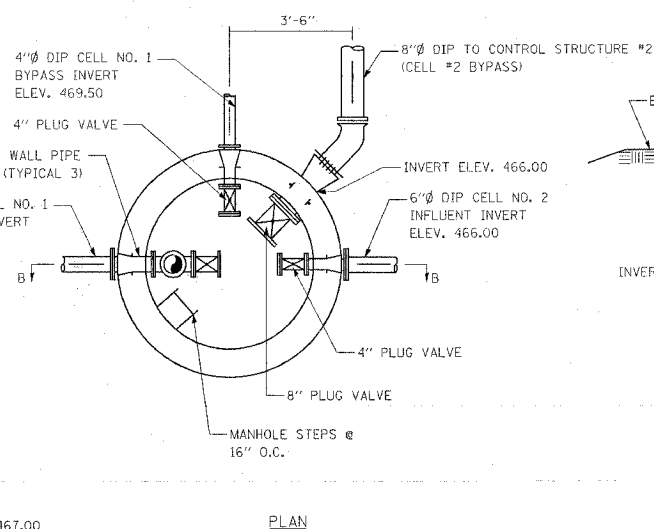
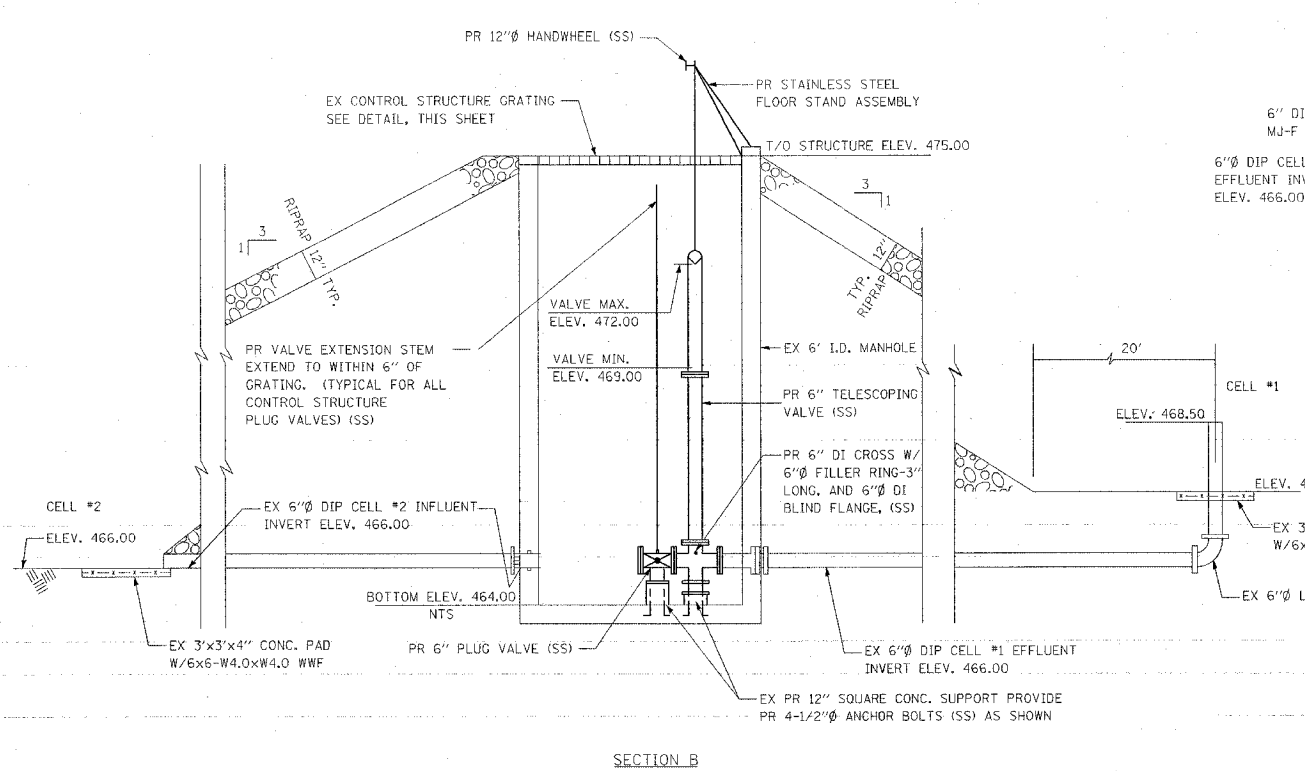


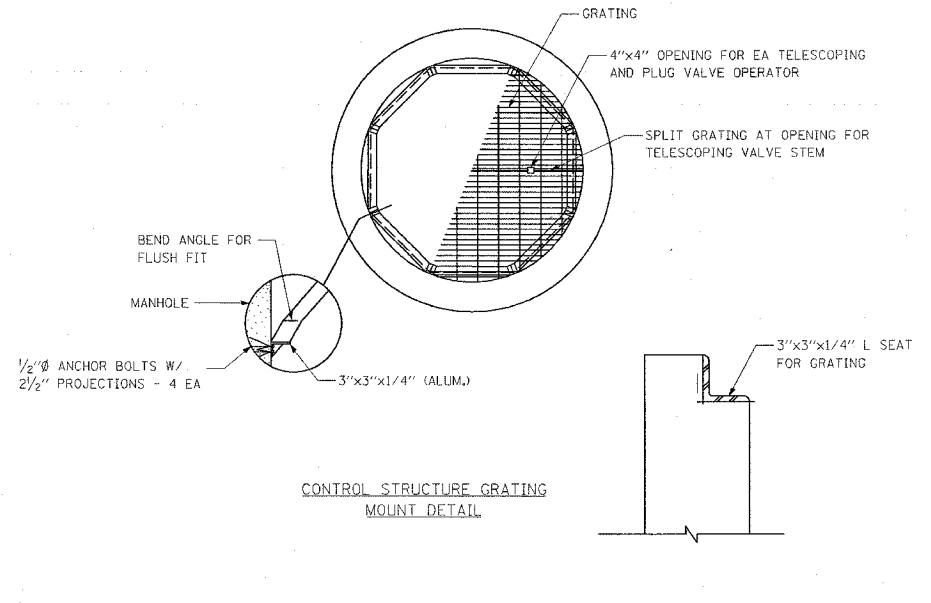
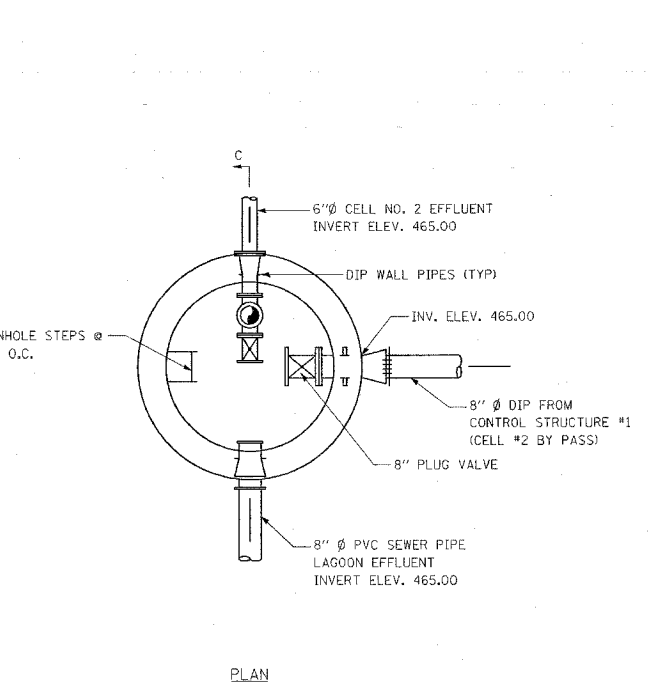
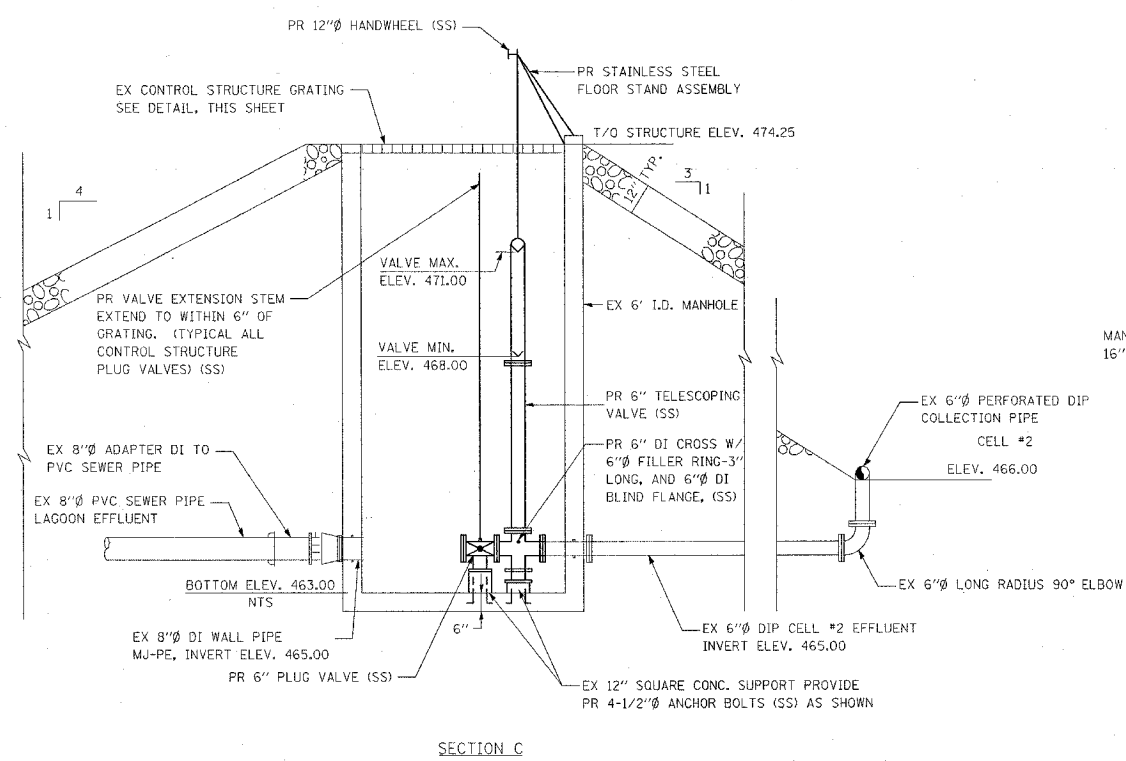
FAI ROUTE	SECTION	COUNTY	TOTAL SHEETS	SHEET NO.
64	82-9RA-1-2	ST. CLAIR	4	4
STA.	TO STA.			
CONTRACT NO.: 76895				

DATE	
BY	
DESIGNED	
CHECKED	
PLANNED	
NOTED	
NO.	



(SS) STAINLESS STEEL

CONTROL STRUCTURE #1



DRAWINGS NOT TO SCALE

REVISIONS	
NAME	DATE

ILLINOIS DEPARTMENT OF TRANSPORTATION
INFLUENT & CONTROL STRUCTURE DETAILS
 FAI ROUTE 64
 SECTION 82-9RA-1-2
 ST. CLAIR COUNTY

DRAWN BY:

PLOT DATE: 3/31/2005

3/31/2005
 3/31/2005
 3/31/2005