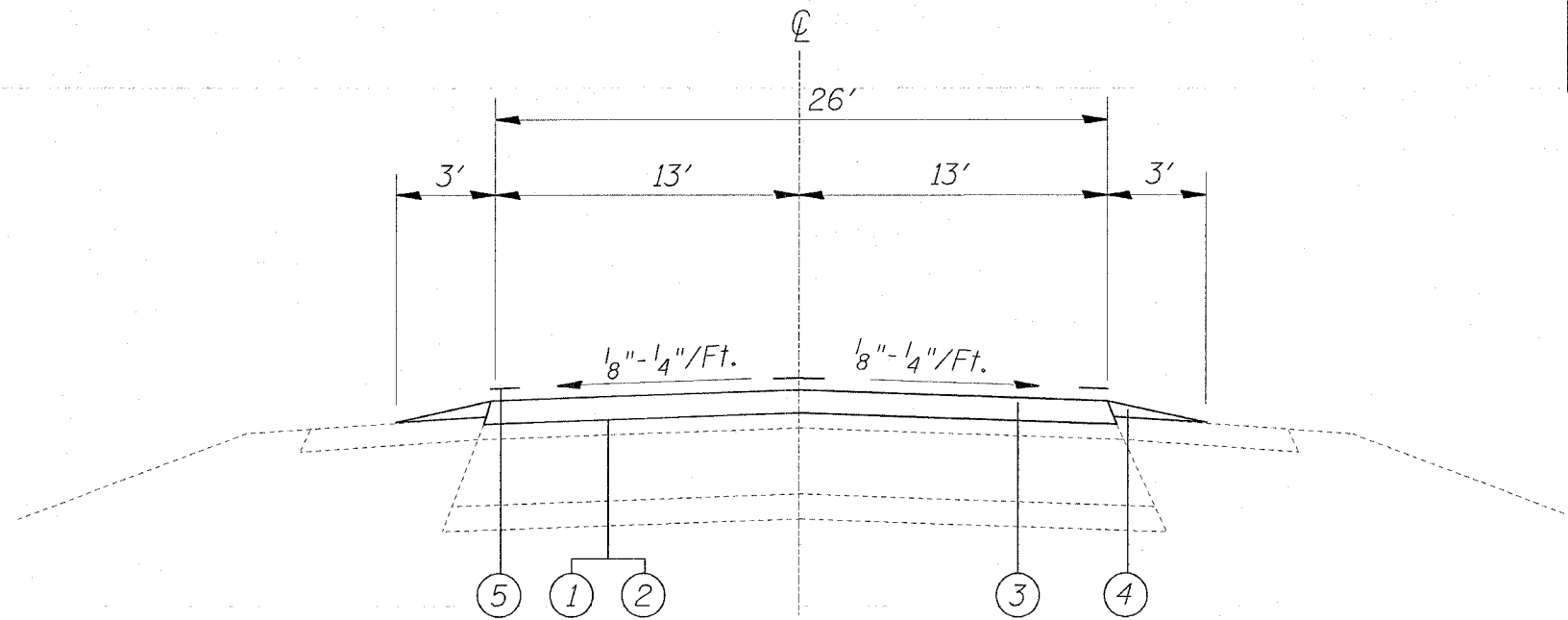
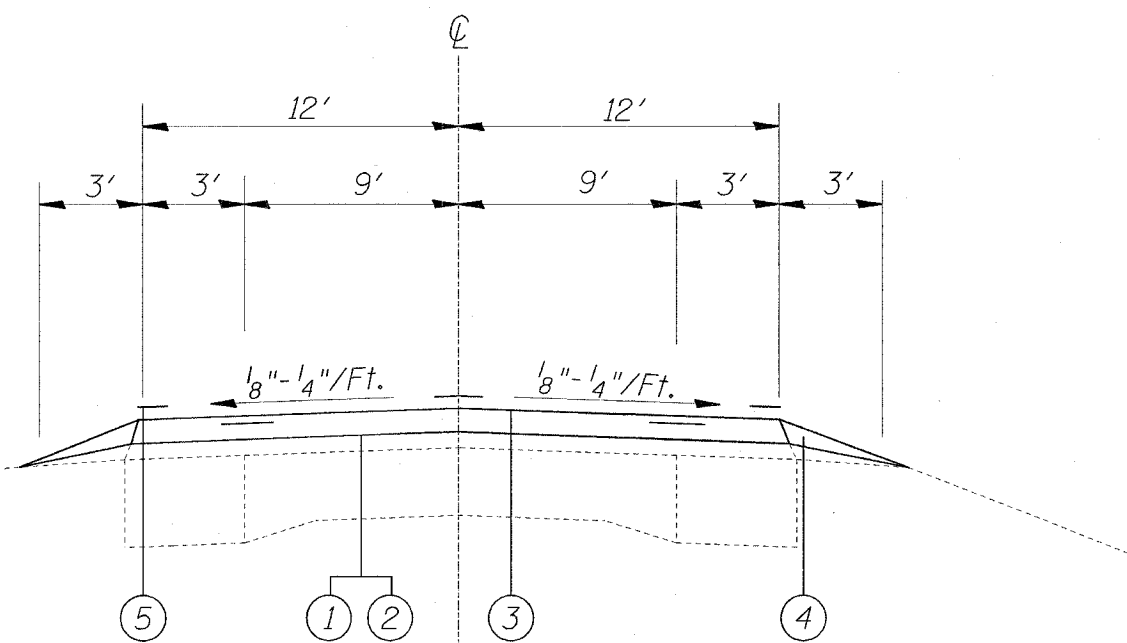


FAP ROUTE	SECTION	COUNTY	TOTAL SHEETS	SHEET NO.
325	113RS-2	JERSEY	8	5
STA.	TO STA.		CONTRACT NUMBER:	
			76937	



PROPOSED TYPICAL SECTION IL 16

M.S. 15.59 TO M.S. 16.01
M.S. 16.06 TO M.S. 17.35
M.S. 17.39 TO M.S. 17.67



PROPOSED TYPICAL SECTION IL 16

M.S. 17.67 to M.S. 22.79

LEGEND

- ① PROPOSED AGGREGATE PRIME COAT
- ② PROPOSED BITUMINOUS PRIME COAT
- ③ PROPOSED BITUMINOUS SURFACE 1 1/2"
- ④ PROPOSED AGGREGATE WEDGE
- ⑤ PROPOSED PAVEMENT MARKINGS

REVISIONS	
NAME	DATE

ILLINOIS DEPARTMENT OF TRANSPORTATION
PROPOSED TYPICAL SECTIONS
FAP ROUTE 325 (IL 16)
SECTION 113RS-2
JERSEY COUNTY
DRAWN BY:

PLOT DATE: DATE-TIME

PLAN	SURVEYED	DATE
NO. _____	BY _____	_____
NO. _____	ALIGNED	_____
NO. _____	CHECKED	_____
NO. _____	BY _____	_____
NO. _____	DATE	_____

#DATE#
#BOOK#
#REF#