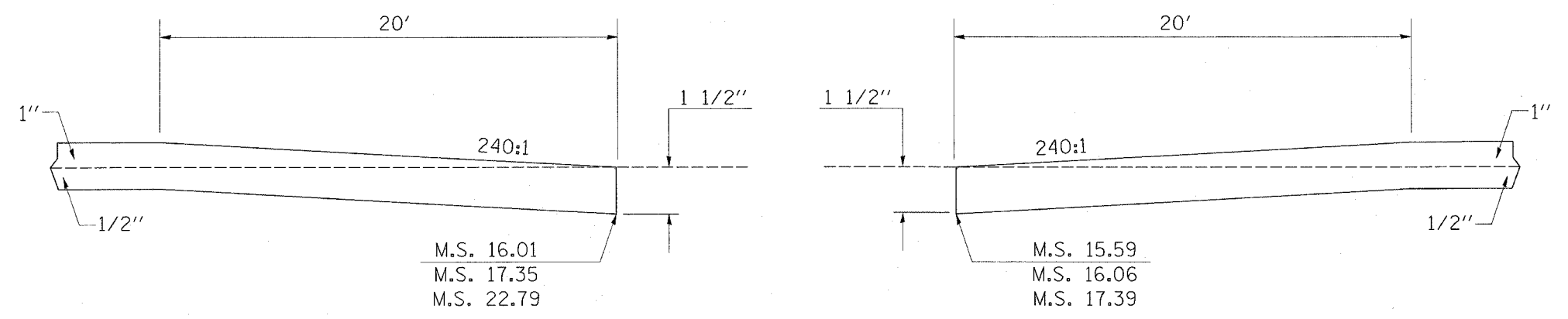
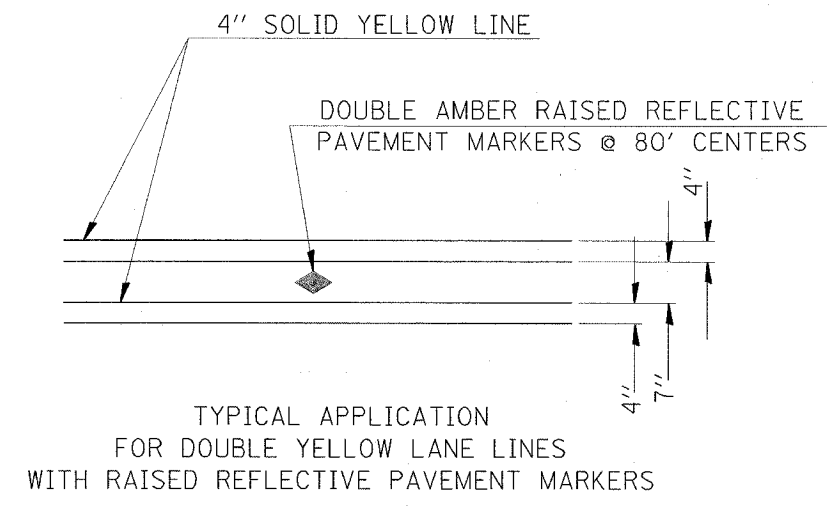
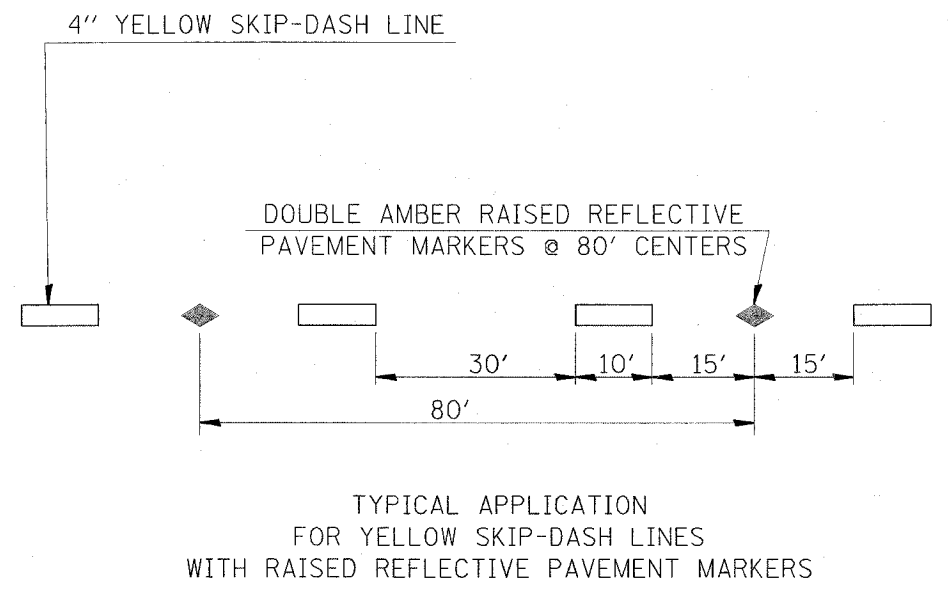
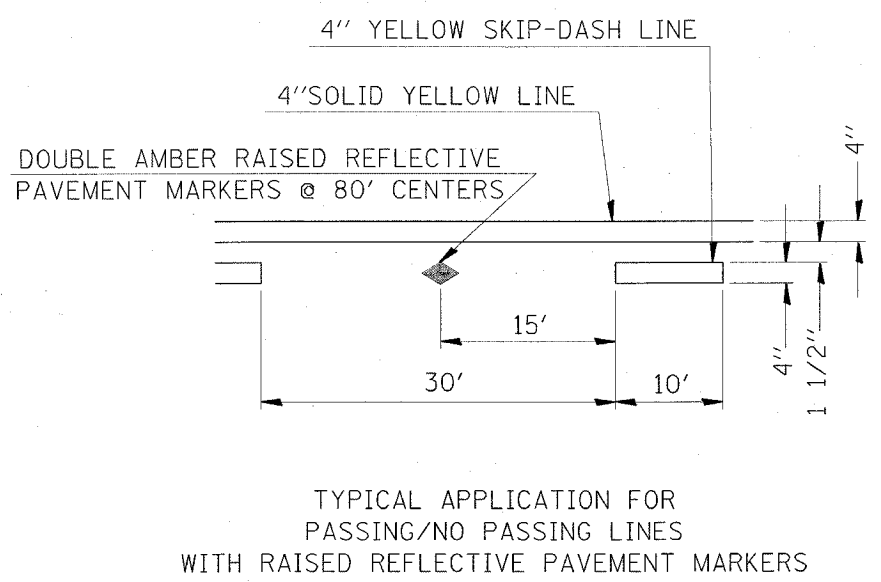


FAP ROUTE	SECTION	COUNTY	TOTAL SHEETS	SHEET NO
325	113RS-2	JERSEY	8	8
STA.	TO STA.			
CONTRACT NUMBER:			76937	

PLAN	DATE
BY	
DESIGNED	
CHECKED	
IN CHARGE	
DATE	
NO.	
FILE NAME	



BUTT JOINT DETAIL

REVISIONS	
NAME	DATE

ILLINOIS DEPARTMENT OF TRANSPORTATION

PLAN DETAILS

FAP ROUTE 325 (IL 16)

SECTION 113RS-2

JERSEY COUNTY

DRAWN BY:

PLOT DATE: _DATE-TIME_

DATE
DATE-TIME
REF-SPEC
REF