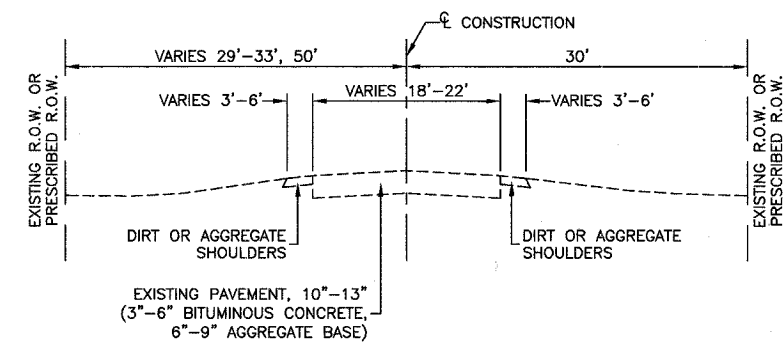
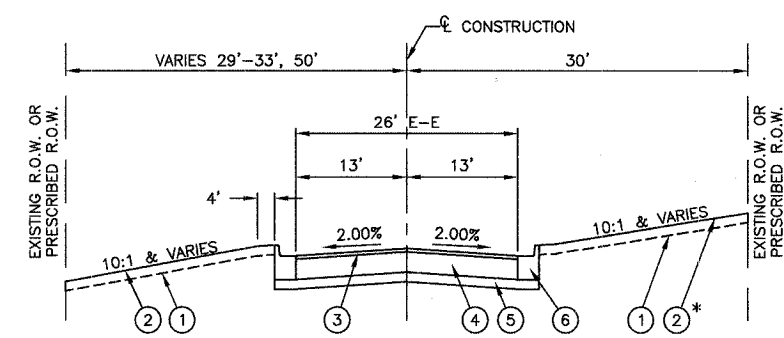


83680



**EXISTING TYPICAL CROSS SECTION**  
 RICHTON ROAD  
 STA. 124+67.59 TO STA. 153+47.00

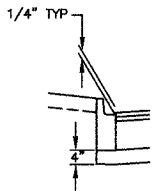


**PROPOSED TYPICAL CROSS SECTION**  
 RICHTON ROAD  
 STA. 124+67.59 TO STA. 153+47.00

\* SEE LANDSCAPING AND EROSION CONTROL PLAN FOR LIMITS OF SODDING

**LEGEND**

- ① TOPSOIL FURNISH AND PLACE, 4"
- ② SEEDING, CLASS 2A
- ③ BITUMINOUS CONCRETE SURFACE COURSE, SUPERPAVE, MIX "C", N50 2"
- ④ BITUMINOUS CONCRETE BINDER COURSE, SUPERPAVE, IL-19.0, N50 8"
- ⑤ SUB-BASE GRANULAR MATERIAL, TYPE B 4"
- ⑥ COMBINATION CONCRETE CURB AND GUTTER, TYPE B-6.24



**CURB DETAIL**

**RICHTON ROAD**

1 LOCATION	2 EARTH EXCAVATION	3 EARTH EXCAVATION ADJUSTED FOR SHRINKAGE	4 REMOVAL AND DISPOSAL OF UNSUITABLE MATERIAL	5 EMBANKMENT	6 EARTHWORK BALANCE WASTE (+) OR SHORTAGE (-)
STATION	CUBIC YARD	CUBIC YARD	CUBIC YARD	CUBIC YARD	CUBIC YARD
124+67 TO 131+00	1057	898	543	390	+508
131+00 TO 144+00	1188	1010	862	819	+191
144+00 TO 153+47	368	313	710	1428	-1115
TOTAL	2613	2221	2115	2637	-416

**MIX SCHEDULE**

MIX TYPE	AC TYPE	VOIDS	MAX RAP %
BIT. CONC. SURF. CSE., SUPERPAVE, MIX "C", N50 (BIT. CONC. PAVT (FULL-DEPTH) SUPERPAVE, 10")	PG 64-22	4% @ 50 GYR	15%
BIT. CONC. BINDER CSE., SUPERPAVE, IL-19.0, N50 (BIT. CONC. PAVT (FULL-DEPTH) SUPERPAVE, 10")	PG 58-22	4% @ 50 GYR	25%
BIT. CONC. SURF. CSE., SUPERPAVE, MIX "C", N50 (STABILIZED DRIVEWAYS, SUPERPAVE, 7")	PG 64-22	4% @ 50 GYR	15%
BIT. BASE CSE., SUPERPAVE, 5" (STABILIZED DRIVEWAYS, SUPERPAVE, 7")	PG 58-22	2% @ 50 GYR	50%
BIT. BASE CSE., SUPERPAVE, 8" (TEMPORARY PAVEMENT, 8")	PG 58-22	2% @ 50 GYR	50%

REVISIONS	
NAME	DATE

ILLINOIS DEPARTMENT OF TRANSPORTATION

F.A.U. 1636 RICHTON ROAD

TYPICAL CROSS SECTIONS

SCALE: VERT. NA  
 HORIZ. NA  
 DATE 03-07-03

DRAWN BY EC  
 CHECKED BY PKB