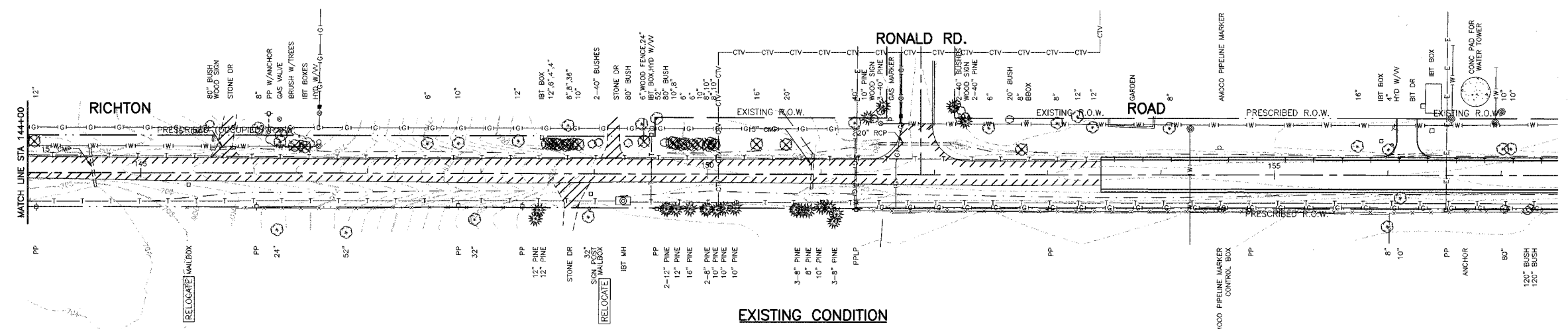
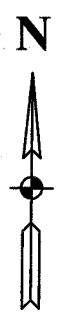


| | | | | |
|---------------------|----------------|------------------|--------------|-----------|
| F.A.U. NO. | SECTION | COUNTY | TOTAL SHEETS | SHEET NO. |
| 1636 | 92-00037-03-PV | WILL | 33 | 12 |
| STA. | TO STA. | | | |
| FED. ROAD DIST. NO. | ILLINOIS | FED. AID PROJECT | | |

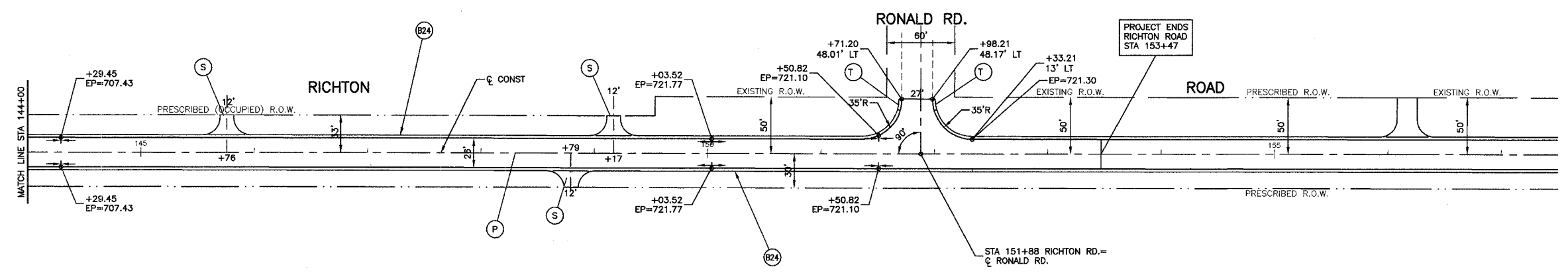
83680



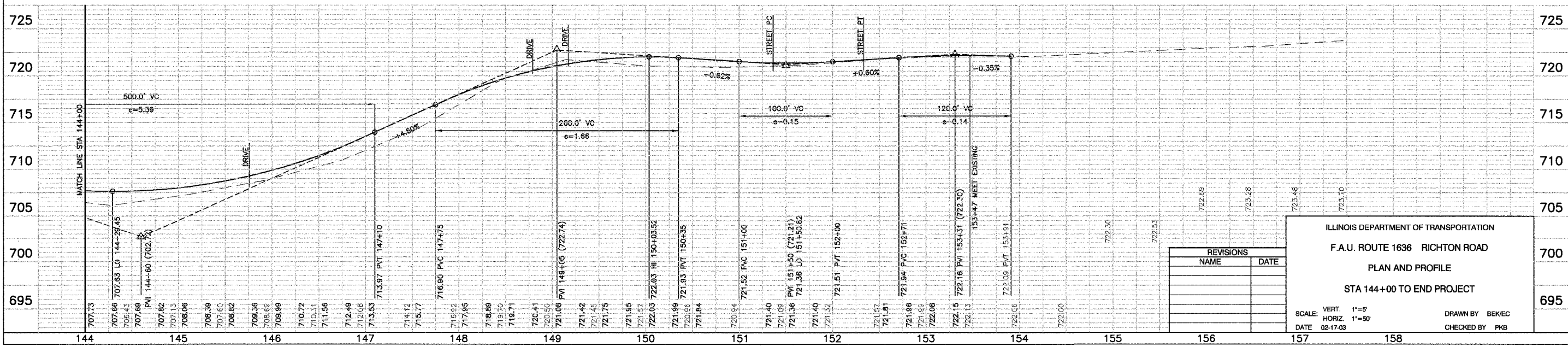
EXISTING CONDITION

PROPOSED LEGEND

- (P) FULL DEPTH PAVEMENT
- (C) CONCRETE DRIVEWAY
- (S) STABILIZED DRIVEWAY
- (B24) COMBINATION CONCRETE CURB AND GUTTER, TYPE B-6.24
- (T) TRANSITION FROM TYPE B-6.24 CURB AND GUTTER TO 0" CURB HEIGHT
- /// PAVEMENT/DRIVEWAY REMOVAL
- (X) TREE TO BE REMOVED



PROPOSED IMPROVEMENT



| REVISIONS | |
|-----------|------|
| NAME | DATE |
| | |
| | |
| | |

ILLINOIS DEPARTMENT OF TRANSPORTATION
 F.A.U. ROUTE 1636 RICHTON ROAD
 PLAN AND PROFILE
 STA 144+00 TO END PROJECT

SCALE: VERT. 1"=5'
 HORIZ. 1"=50'
 DATE 02-17-03

DRAWN BY BEK/EC
 CHECKED BY PKB