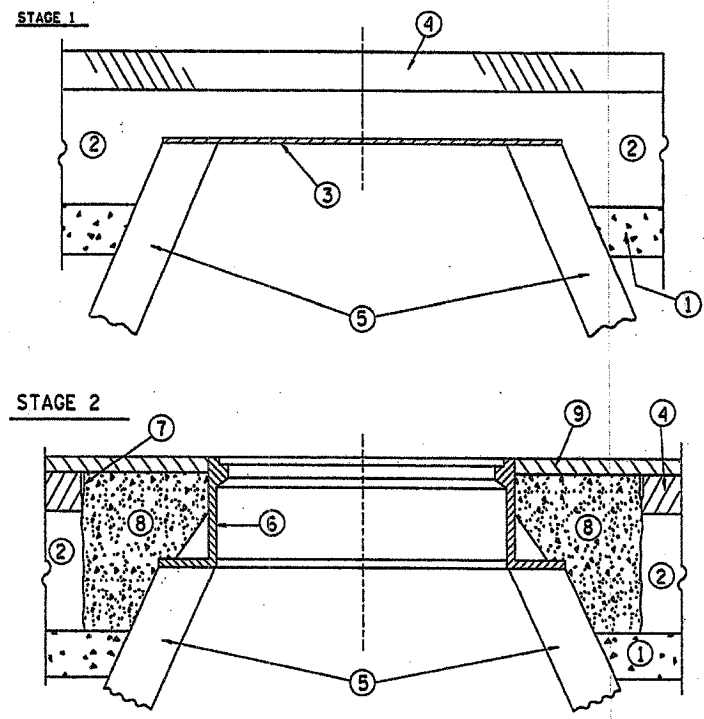


F. A. U. NO.	SECTION	COUNTY	TOTAL SHEETS	SHEET NO.
1636	92-00037-03-PV	WILL	33	22.
STA.	TO STA.			
FED. ROAD DIST. NO.	ILLINOIS	FED. AID PROJECT		

83680



**CONSTRUCTION PROCEDURES**

**STAGE 1**  
 A) CONSTRUCT THE STRUCTURE TO ITS FINAL ELEVATION AND PLACE A 3'x 3'x 1/2" METAL PLATE OVER THE OPENING.  
 B) CONSTRUCT THE SUB-BASE AND BAM/CAM/PAM BASE COURSE AND OVERLAY WITH BIT. CONC. BINDER COURSE OF THE SPECIFIED THICKNESS.

**STAGE 2**  
 A) SCORE A MIN. 1" DEPTH IN THE BIT. CONC. BINDER COURSE 4'x4' AROUND THE STRUCTURE.  
 B) REMOVE THE BIT. CONC. BINDER CSE. AND FLEXIBLE BASE. INSTALL THE FRAME AND LID, AND PLACE P.C. CONC. TO THE ELEVATION OF THE BIT. CONC. BINDER COURSE. P.C. CONC. SHALL MEET THE REQUIREMENTS OF SECTION 304 OF THE STD. SPECS.  
 C) PLACE BIT. CONC. SURFACE CSE. TO FINAL GRADE.

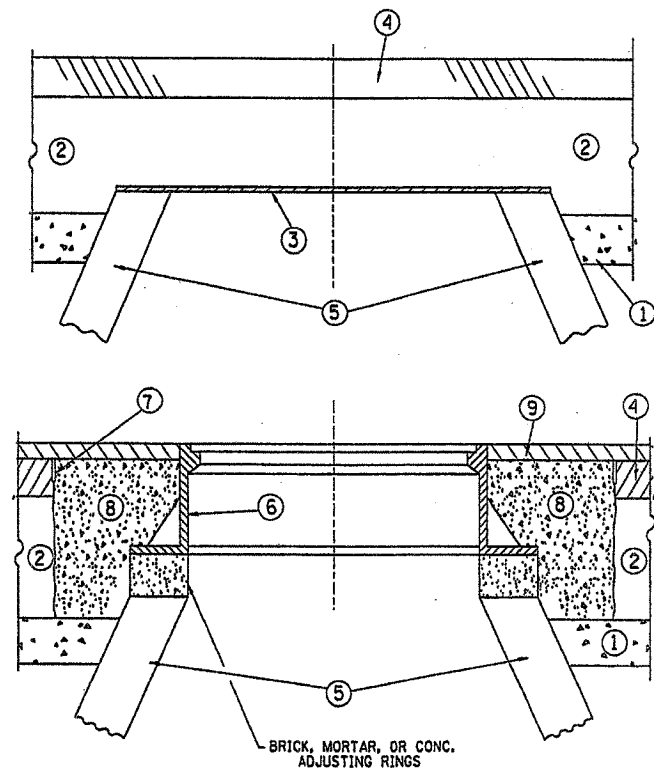
- LEGEND**
- ① SUB-BASE GRANULAR MATERIAL
  - ② BAM/CAM/PAM BASE CSE.
  - ③ 3'x3'x1/2" METAL PLATE
  - ④ BIT. CONC. BINDER COURSE
  - ⑤ NEW STRUCTURE AS SPECIFIED IN THE PLANS
  - ⑥ NEW FRAME AND LID AS SPECIFIED IN THE PLANS.
  - ⑦ SCORE (MIN. 1" DEPTH)
  - ⑧ P.C. CONCRETE
  - ⑨ BIT. CONCRETE SURFACE COURSE

**NOTES:**  
 THE 3'x3'x1/2" METAL PLATES SHALL REMAIN THE PROPERTY OF THE CONTRACTOR.

**LOCATION OF STRUCTURES:** THE CONTRACTOR WILL BE REQUIRED TO KEEP A RECORD OF THE LOCATIONS OF THE BURIED STRUCTURES ACCORDING TO THE STATION AND THE DISTANCE LEFT OR RIGHT OF THE CENTERLINE OF PAVEMENT. UPON COMPLETION OF THE WORK, HE SHALL DELIVER SAID RECORD TO THE ENGINEER.

**BASIS OF PAYMENT:** THE TYPE OF STRUCTURE WITH FRAME AND LID AS SPECIFIED IN THE PLANS.

**DETAIL FOR CONSTRUCTING DRAINAGE & UTILITY STRUCTURES IN PROPOSED BAM/CAM/PAM BASE COURSE**



**CONSTRUCTION PROCEDURES**

**STAGE 1**  
 A) REMOVE THE EXISTING FRAME AND LID FROM THE EXISTING STRUCTURE.  
 B) COVER THE STRUCTURE OPENING WITH A 3'x 3'x 1/2" METAL PLATE.  
 C) CONSTRUCT SUB-BASE GRANULAR MATERIAL, BAM/CAM/PAM BASE COURSE AND OVERLAY WITH BIT. CONC. BINDER CSE. OF THE SPECIFIED THICKNESS.

**STAGE 2**  
 A) SCORE A MIN. 1" DEPTH IN THE BIT. CONC. BINDER COURSE 4'x 4' AROUND THE STRUCTURE.  
 B) REMOVE THE BIT. CONC. BINDER CSE. AND FLEXIBLE BASE. ADJUST THE STRUCTURE TO THE REQUIRED ELEVATION. INSTALL THE FRAME AND LID AND PLACE P.C. CONC. TO THE ELEVATION OF THE BIT. CONC. BINDER COURSE. P.C. CONC. SHALL MEET THE REQUIREMENTS OF SECTION 304 OF THE STD. SPECS.  
 C) PLACE BIT. CONC. SURFACE CSE. TO FINAL GRADE.

- LEGEND**
- ① SUB-BASE GRANULAR MATERIAL
  - ② BAM/CAM/PAM BASE CSE.
  - ③ 3'x3'x1/2" METAL PLATE
  - ④ BIT. CONC. BINDER COURSE
  - ⑤ EXISTING STRUCTURE
  - ⑥ FRAME AND LID (SEE NOTES)
  - ⑦ SCORE (MIN. 1" DEPTH)
  - ⑧ P.C. CONCRETE
  - ⑨ BIT. CONCRETE SURFACE COURSE

**NOTES:** THE 3'x3'x1/2" METAL PLATES SHALL REMAIN THE PROPERTY OF THE CONTRACTOR.

THE FRAMES AND LIDS CONSIDERED BY THE ENGINEER AS UNSUITABLE FOR REUSE, SHALL BE REPLACED WITH NEW CAST IRON FRAMES AND LIDS. THE UNUSED CASTINGS ARE THE PROPERTY OF THE STATE AND THE CONTRACTOR SHALL NOTIFY THE DIVISION OF HIGHWAYS, DISTRICT 1, AND MAKE THE NECESSARY ARRANGEMENTS FOR REMOVAL AND RECEIPT OF SAID CASTINGS.

CITY OF CHICAGO CASTINGS ARE THE PROPERTY OF THE CITY AND THE CONTRACTOR SHALL NOTIFY THE CITY FOR REMOVAL AND DISPOSITION OF SAID CASTINGS.

**LOCATION OF STRUCTURES:** THE CONTRACTOR WILL BE REQUIRED TO KEEP A RECORD OF THE LOCATIONS OF THE BURIED STRUCTURES ACCORDING TO THE STATION AND THE DISTANCE LEFT OR RIGHT OF THE CENTERLINE OF PAVEMENT. UPON COMPLETION OF THE WORK, HE SHALL DELIVER SAID RECORD TO THE ENGINEER.

**BASIS OF PAYMENT:** DRAINAGE & UTILITY STRUCTURE ADJUSTMENT (SPECIAL) NEW FRAME AND LID WILL BE PAID FOR SEPARATELY.

**DETAIL FOR PROPOSED DRAINAGE & UTILITY STRUCTURE ADJUSTMENT(SPECIAL) IN PROPOSED BAM/CAM/PAM BASE COURSE**

REVISIONS	
NAME	DATE
M. DE YONG	9-22-90

ILLINOIS DEPARTMENT OF TRANSPORTATION

DETAILS FOR CONSTRUCTION DRAINAGE AND UTILITY STRUCTURES IN PROPOSED BAM/CAM/PAM BASE COURSE AND FOR DRAINAGE AND UTILITY STRUCTURE ADJUSTMENT (SPECIAL) IN PROPOSED BAM/CAM/PAM BASE COURSES

SCALE: VERT. NONE  
 HORIZ. NONE

DATE: 04/22/94

DRAWN BY  
 CHECKED BY