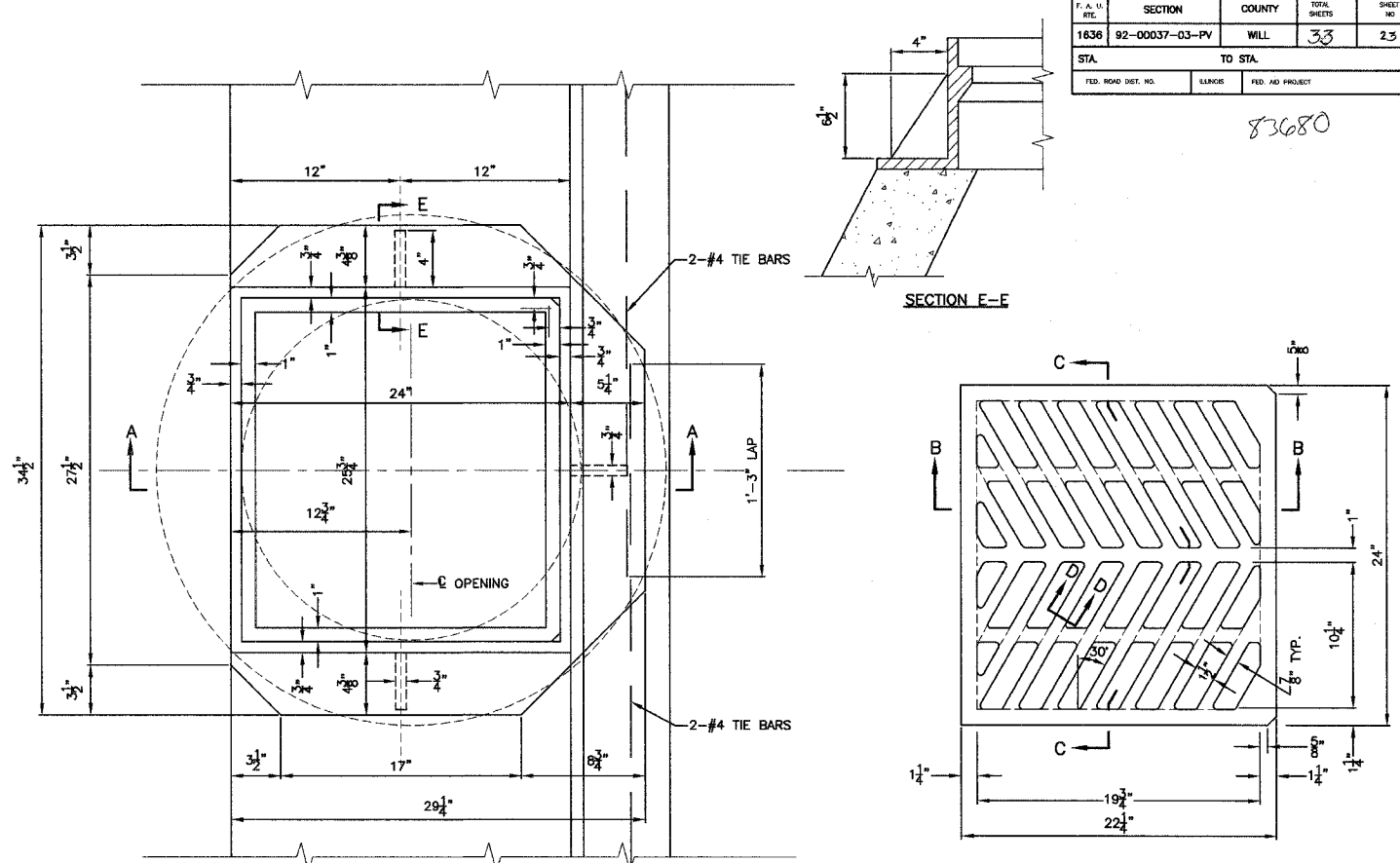


F. A. U. SHEET NO.	SECTION	COUNTY	TOTAL SHEETS	SHEET NO.
1636	92-00037-03-PV	WILL	33	23
STA.	TO STA.			
FED. ROAD DIST. NO.	CLASS	FED. AID PROJECT		

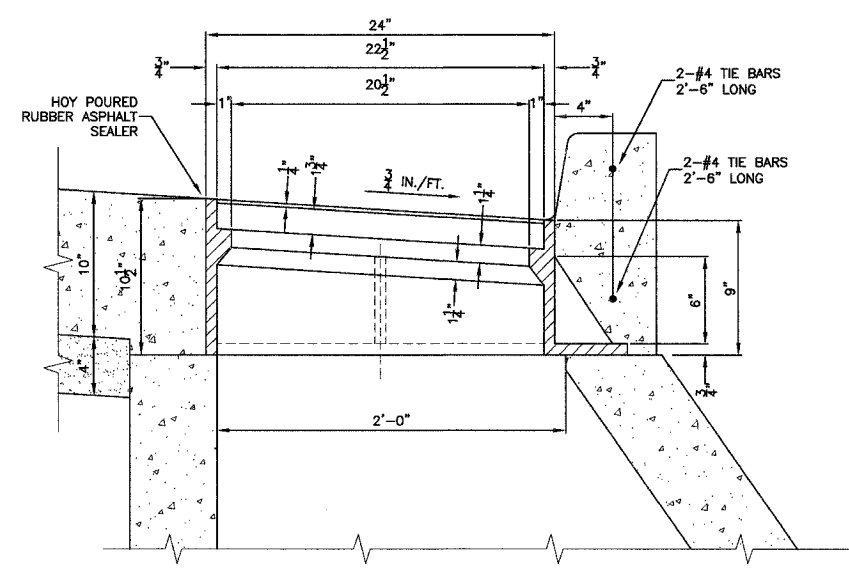
83680



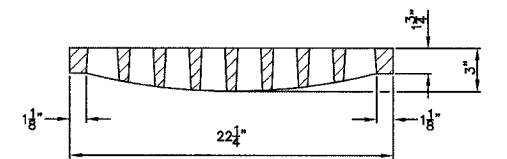
FRAME TYPE B-24
WT. 317 LBS.

GRATE TYPE B-24
WT. 140 LBS.

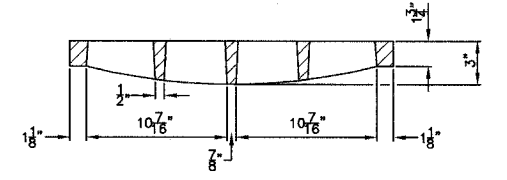
NOTE: TO BE USED IN SAG AREAS ONLY



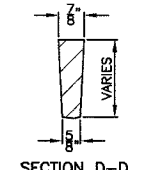
SECTION A-A



SECTION B-B



SECTION C-C



SECTION D-D

NOTES:
 DUCTILE IRON CASTING SHALL CONFORM TO THE REQUIREMENTS OF A.S.T.M. A536.
 GRAY IRON CASTING SHALL CONFORM TO THE REQUIREMENTS OF A.S.T.M. A4 8, CL. 30B.
 TENSILE TESTS WILL BE REQUIRED AND STANDARD TEST SPECIMENS WILL BE FURNISHED WITHOUT CHARGE.
 THE GRATE SHALL FIT AND HAVE FULL CONTACT WITH THE FRAME TO PREVENT THE GRATE FROM JUMPING OR RATTLING WHEN STRUCK BY VEHICLES.
 THE HOT Poured RUBBER ASPHALT SEALER SHALL CONFORM TO A.S.T.M. D-1190-64.

REVISIONS	
NAME	DATE

ILLINOIS DEPARTMENT OF TRANSPORTATION

FRAME AND GRATE
TYPE B-24

SCALE: VERT. NONE
 HORIZ. NONE
 DATE: 8/26/99

DRAWN BY
 CHECKED BY