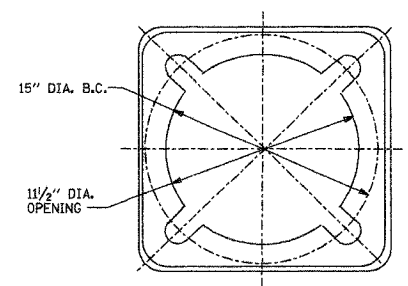
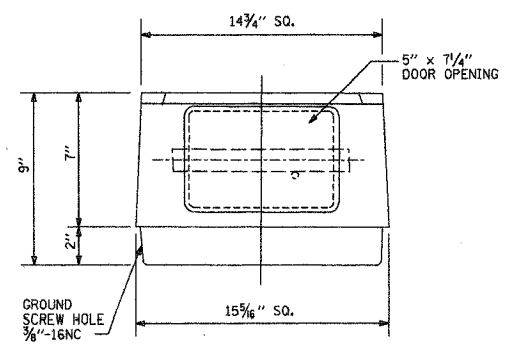


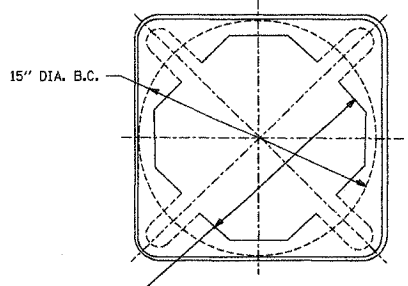
P. & S. NO.	SECTION	COUNTY	TOTAL SHEETS	SHEET NO.
1569	02-00025-00-LI	COOK	14	10
STA.		TO STA.		
FED. ROAD DIST. NO.		ILLINOIS	FED. AID PROJECT	
CONTRACT NO. - 83711				



TOP VIEW

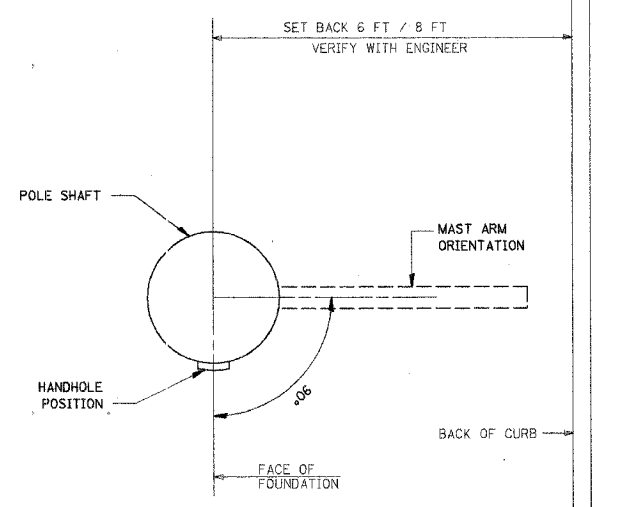


ELEVATION

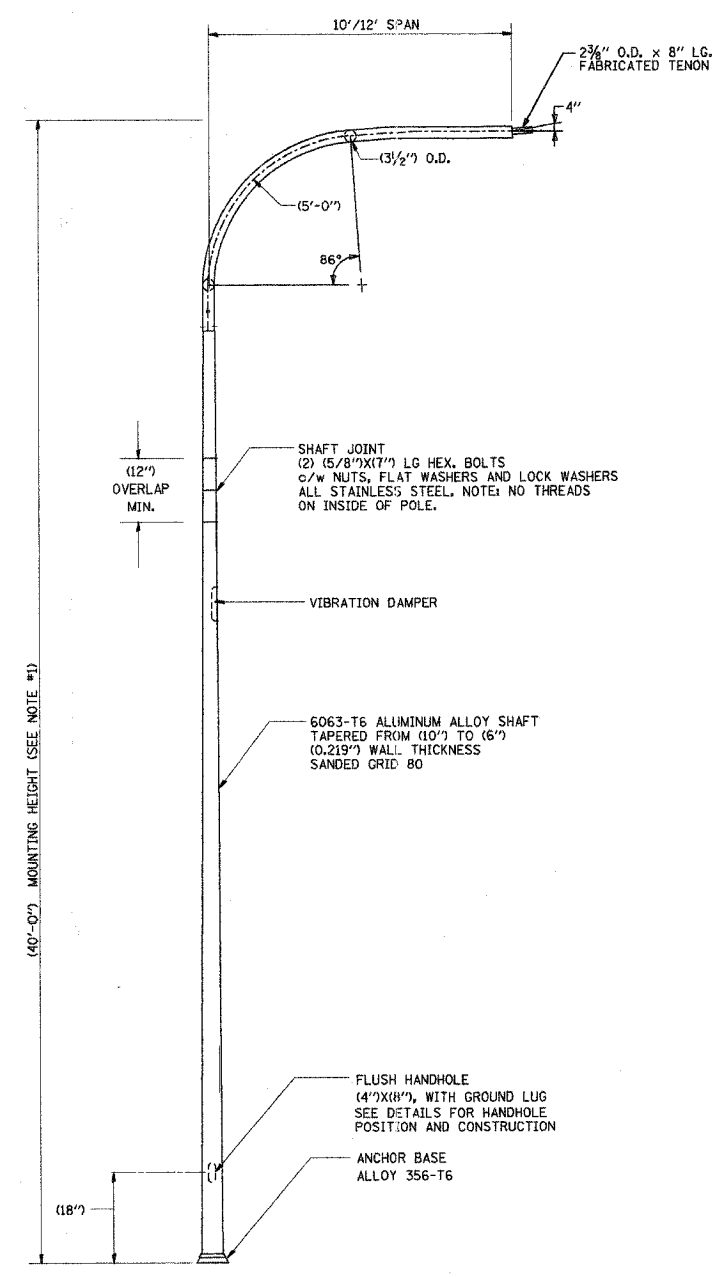


BOTTOM VIEW

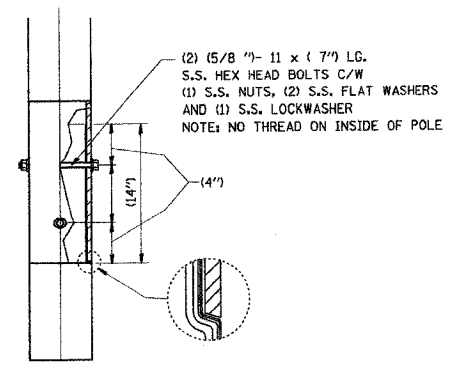
BREAKAWAY DEVICE, TRANSFORMER BASE
 DETAILS 15" BOLT CIRCLE
 THE BREAKAWAY TRANSFORMER BASE SHALL HAVE A LISTING OF APPROVAL BY FHWA COMPLIANCE TO 1985 AASHTO REQUIREMENTS.



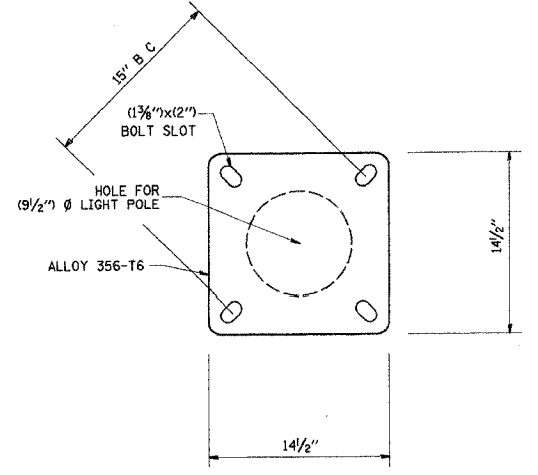
POSITION OF HANDHOLE AND MAST ARM MOUNTING IN RELATION TO TRAFFIC FLOW



SINGLE ARM POLE

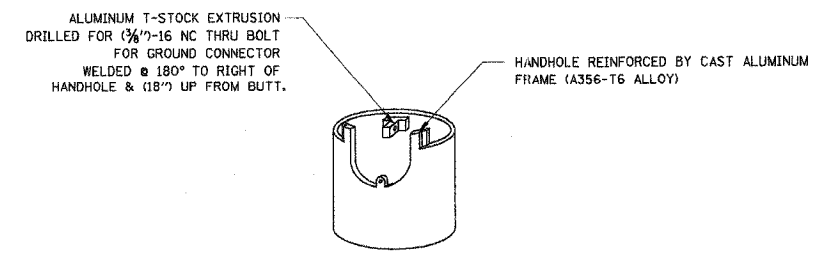


DAVIT ARM CONNECTION
(14") OVERLAP SHOWN



LIGHT POLE BASE PLATE DETAIL
(FOR POLE MOUNTED ON (15 INCH) BOLT CIRCLE FOUNDATION)

- NOTES:**
1. MOUNTING HEIGHT IS DEFINED AS THE DISTANCE FROM THE CENTERLINE OF THE TENON TO THE BOTTOM OF THE ANCHOR BASE.
 2. BOLT SLOTS WILL BE (1 3/8") X (2") CENTERED.
 3. TWO PIECE SHAFT WILL BE MATCH MARKED AND INTERCHANGABLE BETWEEN DIFFERENT UNITS. STUD BOLT WILL BE (5/8") DIA. WITH NUT, FLAT WASHER, AND LOCK WASHER. THERE WILL BE NO THREADS ON THE BOLT INSIDE THE POLE SHAFT.
 4. THE LIGHT POLE WILL MEET A.A.S.H.T.O. DESIGN CRITERIA
 5. THE DUCT SHALL EXTEND INTO POLE A MINIMUM OF 12" ABOVE THE BASE



HANDHOLE AND GROUND LUG DETAIL

REVISIONS	
NAME	DATE
D. DREW	4-2-92
D. DREW	5-7-92

ILLINOIS DEPARTMENT OF TRANSPORTATION
 73rd STREET (FAU 1569)
 VILLAGE OF BEDFORD PARK

DAVIT LIGHT POLE
40 FT MOUNTING HEIGHT
10 FT/12 FT MAST ARM

SCALE: NONE
 DATE: **DATE**
 DRAWN BY: LEY
 CHECKED BY: BELL