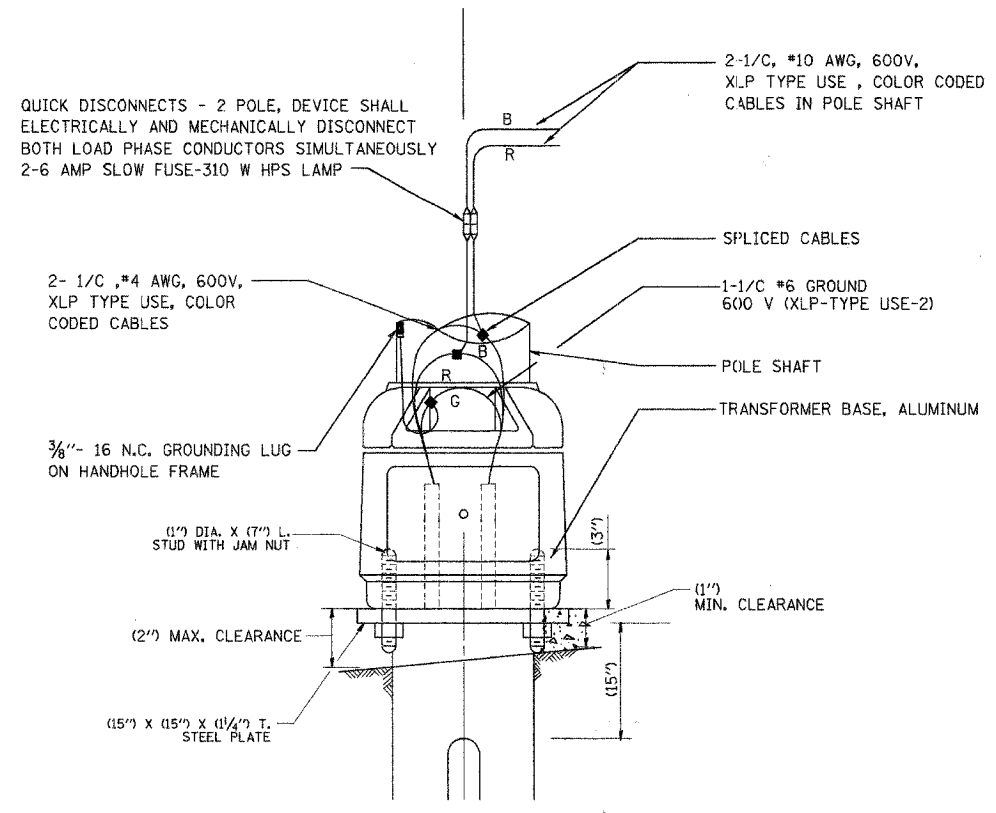
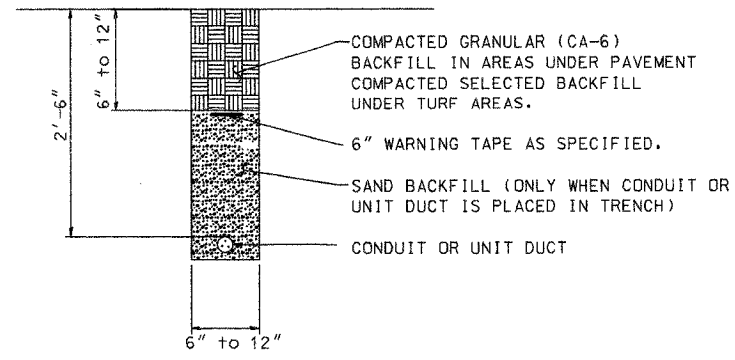


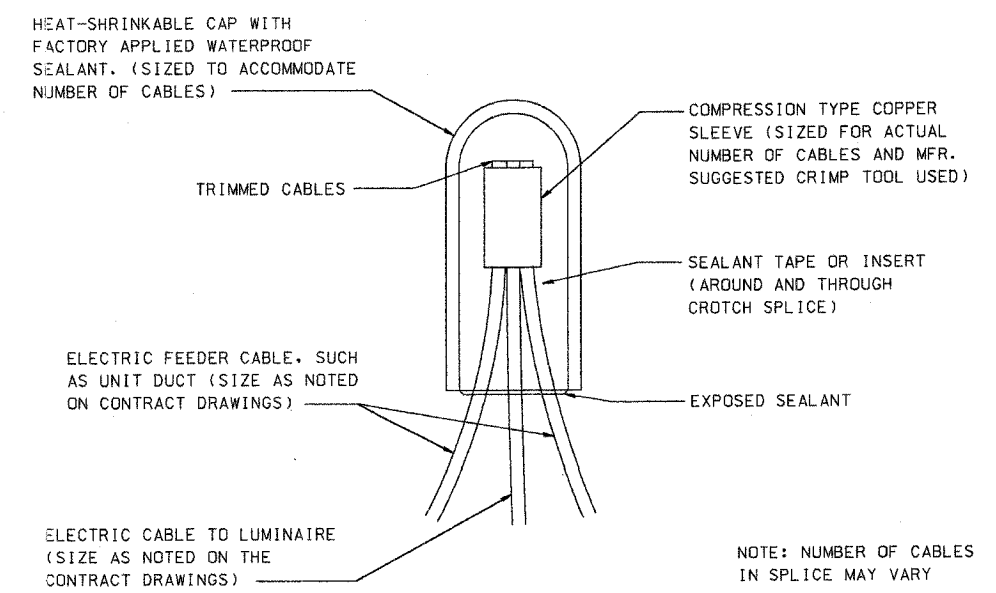
F.A. RTE.	SECTION	COUNTY	TOTAL SHEETS	SHEET NO.
1569	02-00025-00-LT	COOK	14	14
STA.	TO STA.			
FED. ROAD DIST. NO.	ILLINOIS	FED. AID PROJECT		
CONTRACT NO. - 83711				



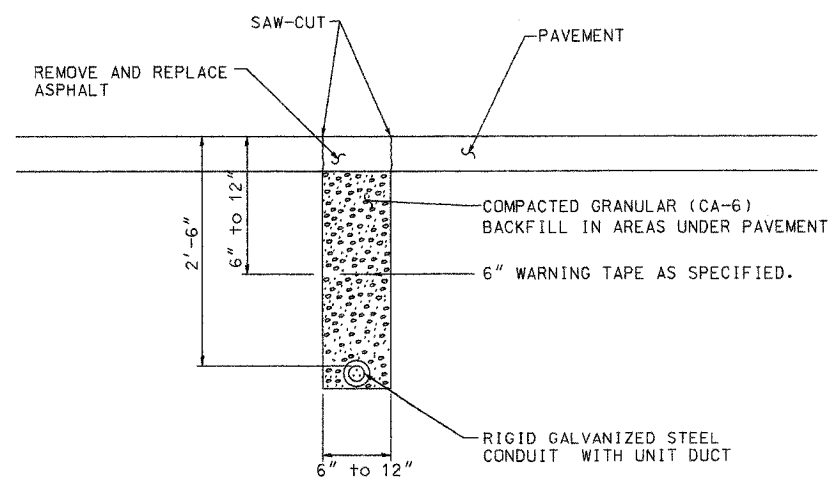
POLE BASE WIRING WITH QUICK DISCONNECTS AND BREAKAWAY DEVICE TRANSFORMER BASE



TRENCH AND BACKFILL



SPLICING ELECTRIC CABLE



TRENCH AND BACKFILL UNDER ASPHALT PAVEMENT

THIS DRAWING IS THE EXCLUSIVE PROPERTY OF SUNJOY INC. AND IS PROVIDED ONLY FOR THE PROJECT LISTED ON THIS DRAWING. THIS DRAWING SHALL NOT BE DUPLICATED, USED OR DISCLOSED, IN WHOLE OR IN PART, FOR ANY PURPOSE WHATSOEVER WITHOUT THE WRITTEN PERMISSION OF SUNJOY INC.

Sunjoy Inc.
Area Lighting
212 TIMBERCREST DRIVE
SCHALMBURG, ILLINOIS
60193-1572

ILLINOIS DEPARTMENT OF TRANSPORTATION
73rd STREET (FAU 1569)
VILLAGE OF BEDFORD PARK

ELECTRICAL DETAILS

REVISION 05-28-05
REVISION 05-21-05

SCALE: NONE
DATE: 04-15-05
DRAWN BY: HMO
CHECKED BY: JS