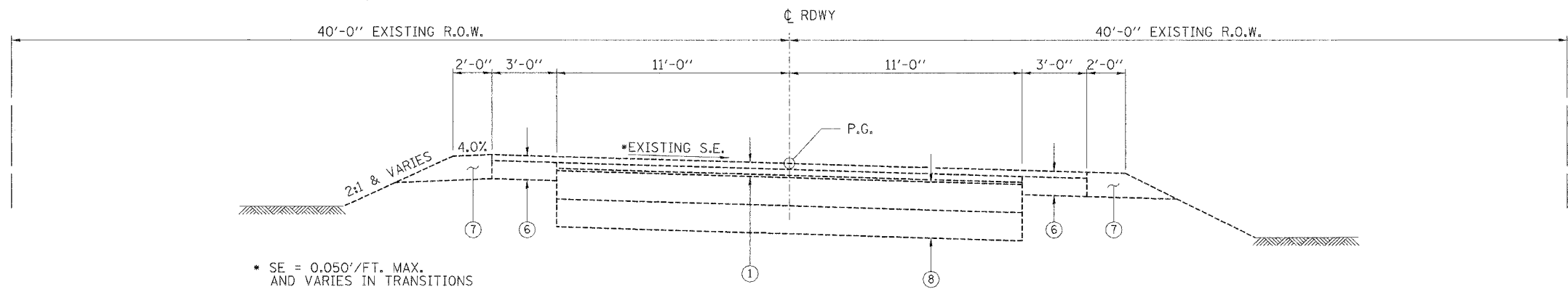


ROUTE NO.	SECTION	COUNTY	TOTAL SHEETS	SHEET NO.
C.H. 14	99-00076-11-BR	LAKE	66	7

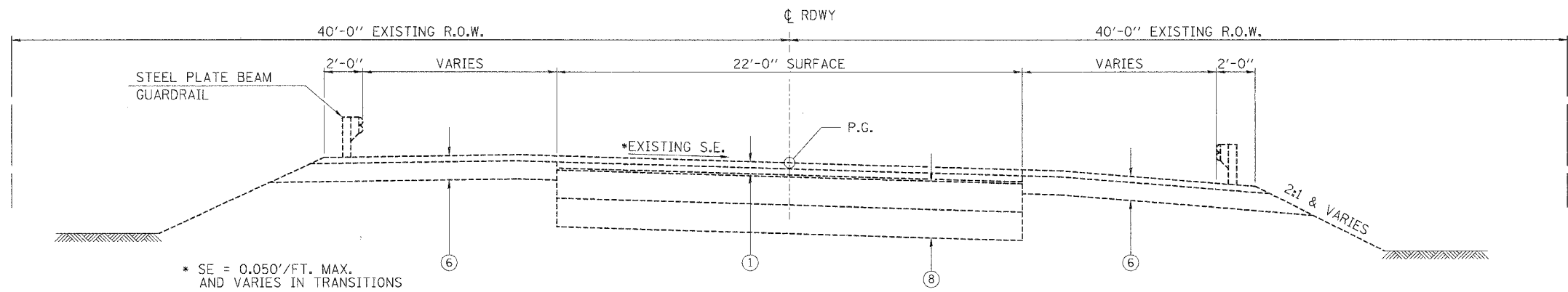
FED. ROAD DIST. NO. BILL NO. FEED-AID PROJECT-  
 CONTRACT NO: 83763

**LEGEND**

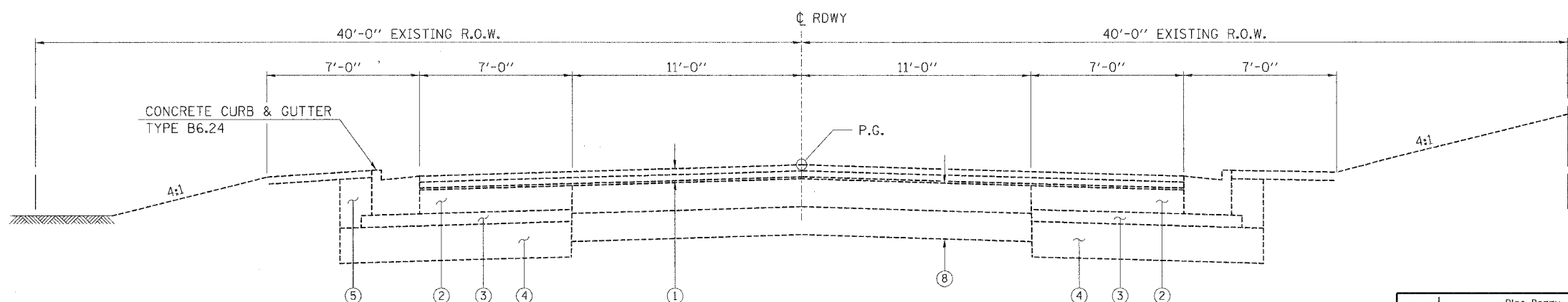
- ① -BITUMINOUS SURFACE COURSE, MIX C, CL. 1, TY. 2 (1 1/2" THICK)  
 -BITUMINOUS CONCRETE BINDER COURSE, MIX B, TY. 2 (1 1/2" THICK)  
 -LEVELING BINDER, TY. 2 (1/2" THICK, NOMINAL)
- ② BITUMINOUS CONCRETE BINDER COURSE, MIX B, TY. 2 (6" THICK)
- ③ AGGREGATE BASE COURSE, TY. A (3" THICK)
- ④ POROUS GRANULAR EMBANKMENT, (9" THICK)
- ⑤ POROUS GRANULAR BACKFILL
- ⑥ PAVED SHOULDER:  
 -BITUMINOUS CONCRETE SURFACE COURSE, MIX C, CL. 1, TY. 2 (1 1/2" THICK)  
 -BITUMINOUS CONCRETE BINDER COURSE, MIX B, TY. 2 (4 1/2" THICK)
- ⑦ AGGREGATE SHOULDERS, TY. B (6" THICK)
- ⑧ -7" BITUMINOUS PAVEMENT  
 -7" GRAVEL



**EXISTING TYPICAL ROADWAY CROSS SECTION**  
 STATION 19+68.15 TO 20+73.63



**EXISTING TYPICAL ROADWAY CROSS SECTION**  
 STATION 14+90 TO 17+50.5  
 AND STATION 17+91.5 TO 19+68.15



**EXISTING TYPICAL ROADWAY CROSS SECTION**  
 STATION 13+46.02 TO 14+90

**HLR**  
 Rice, Berry and Associates  
 A Division of Hampton,  
 Lenzini and Renwick, Inc.  
 Civil & Structural Engineers  
 801 S. Durkin Drive  
 Springfield, Illinois 62704  
 217-546-3400  
 P.O. BOX 1036  
 DuQuoin, Illinois 62832  
 618-790-4637  
 Account Number  
 02-07-0043-1  
 Date: 06/29/04  
 DESIGNED: S.W.M. CHECKED: S.W.M. DRAWN: D.T.M.

**TYPICAL CROSS SECTIONS  
 (EXISTING)**  
 SECTION 99-00076-11-BR  
 C.H. 14 / MILLBURN ROAD  
 LAKE COUNTY