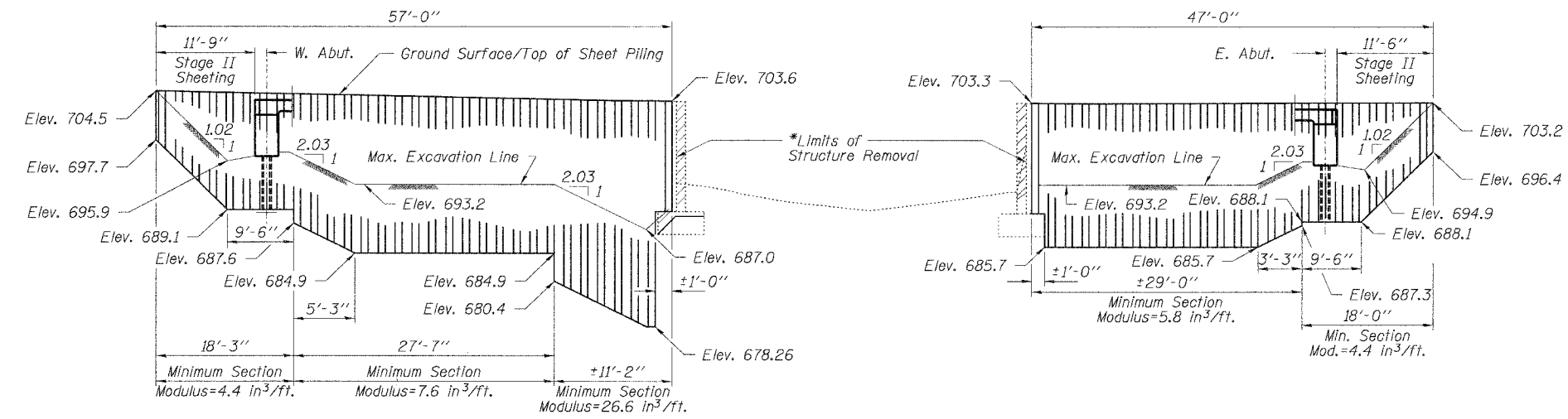


ROUTE NO.	SECTION	COUNTY	TOTAL SHEETS	SHEET NO.
C.H. 14	99-00076-11-BR	LAKE	66	22
FED. ROAD DIST. NO.	ILLINOIS		FED. AID PROJECT-	

CONTRACT NO: 83763



TEMPORARY SHEET PILING

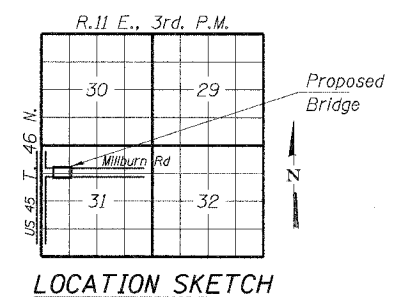
* Existing Substructure layout below the ground line is unknown.

GENERAL NOTES

- Reinforcement bars shall conform to the requirements of AASHTO M-31, M322 Grade 60. The Contractor shall drive two concrete test piles in permanent locations, one at the West Abutment and one at Pier 2, as directed by the Engineer before ordering the remainder of the piles.
- Layout of riprap may be varied in the field to better suit existing ground conditions as directed by the Engineer.
- The Contractor shall make allowance for the deflection of forms, shrinkage and settlement of falsework, in addition to allowance for dead load deflection.
- The Contractor shall submit falsework plans to the Department for approval before construction begins.
- All proposed construction activity shall be in accordance with Regional Permit of the Department of the Army authorized under Section 404 of the Clean Water Act. The IEPA has issued Section 401 Water Quality Certification for this activity. See Special Provisions for conditions.
- Bridge Deck Grooving shall be completed on the surface of the bridge and Bridge Approach Pavement.
- Protective Coat shall be applied to all exposed areas of the bridge surface and approach pavement.
- All construction joints shall be bonded.
- If the Contractor chooses to alter the temporary cantilevered sheet piling design requirements shown on the plans, a design submittal including plan details and calculations will be required for review and acceptance by the Engineer.
- The Contractor shall connect the first sheet to the existing abutment wall to ensure stability of sheets driven to the top of the existing footing. This connection shall be reviewed and accepted by the Engineer and included in the cost for Temporary Sheet Piling.
- See Sheets 39 & 40 for Borings.
- ** Concrete Superstructure in the parapets noted to receive Architectural Finish for Concrete Surfaces shall also have a color additive to match Red Brick. (See Special Provisions for Architectural Finish for Concrete Surfaces)
- A Clear Protective Coating for Concrete shall be applied to all vertical surfaces of the structure.

NORTH MILL CREEK
C.H. 14 / MILLBURN ROAD
BUILT 200_ BY
LAKE COUNTY
SEC. 99-00076-11-BR
F.A. PROJ. BRM-7003 (950)
STR. NO. 049-3075 LOADING HS20

NAME PLATE
See Std. 515001



WATERWAY INFORMATION

Drainage Area = 31.6 Sq. Mi. Low Grade Elev. 702.90 @ Sta. 16+00

Flood	Freq. Yr.	Q C.F.S.	Opening Sq. Ft.		Natural Head - Ft.		Headwater El.		
			Exist.	Prop.	H.W.E. Exist.	Prop.	Exist.	Prop.	
	10	1264	180	360	697.0	0.7	0.0	697.7	697.0
Design	30	1800	205	405	697.6	1.4	0.2	699.0	697.8
Base	100	2433	220	445	698.0	2.3	0.5	700.3	698.5
Overtopping									
Max. Calc.	500	3210	275	590	699.4	2.5	0.0	701.9	699.3

TOTAL BILL OF MATERIAL

ITEM	UNIT	SUPER	SUB	TOTAL
** Concrete Superstructure	Cu. Yd.	396.5		396.5
Concrete Structures	Cu. Yd.		216.4	216.4
Reinforcement Bars, Epoxy Coated	Pound	130,790	22,010	152,800
Name Plates	Each		1	1
Stone Riprap, Class A4	Ton			676
Filter Fabric	Sq. Yd.			843
Steel Piles HP12x53	Foot		3,785	3,785
Test Pile Steel HP 12x53	Each		2	2
Protective Coat	Sq. Yd.	1000		1000
Porous Granular Embankment	Ton		310	310
Bridge Deck Grooving	Sq. Yd.	722		722
Bar Splacers	Each	350	88	438
Floor Drains	Each	18		18
Aluminum Railing	Foot	344		344
Limestone Cap	Each	33		33
Architectural Finish for Concrete Surfaces	Sq. Ft.	2,410	280	2,410
Temporary Sheet Piling	Sq. Ft.		2,060	2,060
Underwater Structure Exc. Protection - Loc. 1	Each		1	1
Underwater Structure Exc. Protection - Loc. 2	Each		1	1
Concrete Encasement	Cu. Yd.		8.4	8.4
Clear Protective Coating for Concrete	Sq. Ft.	3,615	3,605	7,220

HLR
Rice, Berry and Associates
A Division of Hampton, Lenzini and Renwick, Inc.
Civil & Structural Engineers
801 S. Durkin Drive
Springfield, Illinois 62704
217-546-3400
P.O. Box 1036
DuQuoin, Illinois 62832
618-790-4637
Account Number 12-07-0043-1
Date: 05/23/05
DESIGNED: S.M.S. CHECKED: S.W.M. DRAWN: D.B.

GENERAL PLAN NOTES
MILLBURN ROAD / CH 14
SECTION 99-00076-11-BR
LAKE COUNTY
STATION 17+65