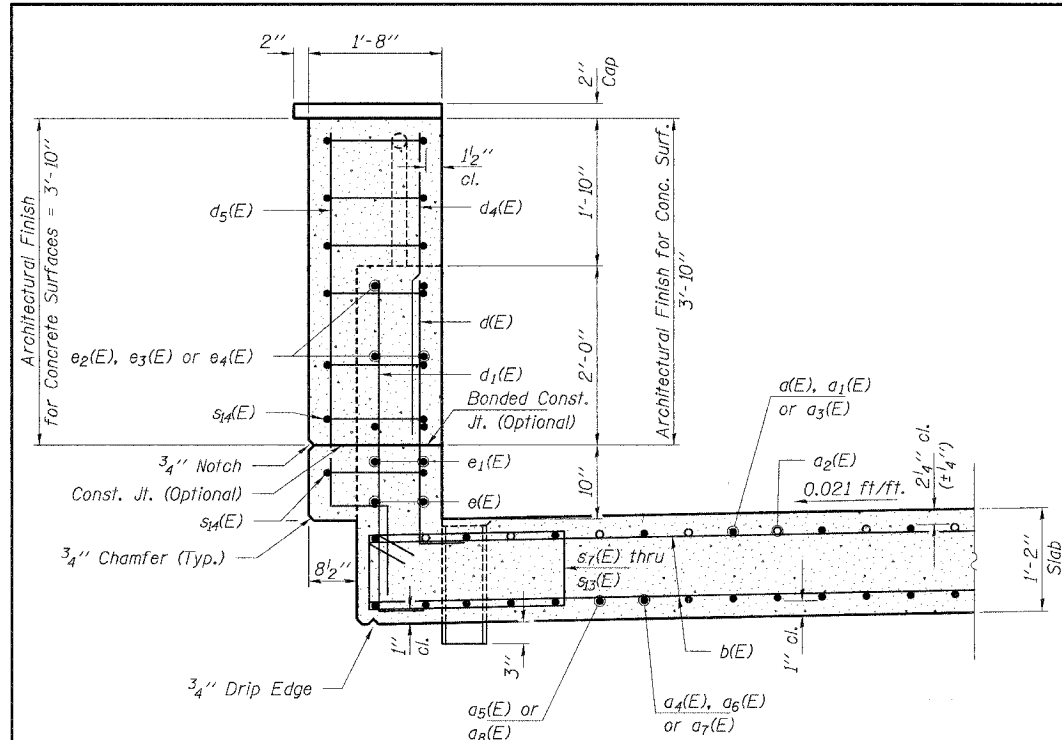


CONTRACT NO: 83763

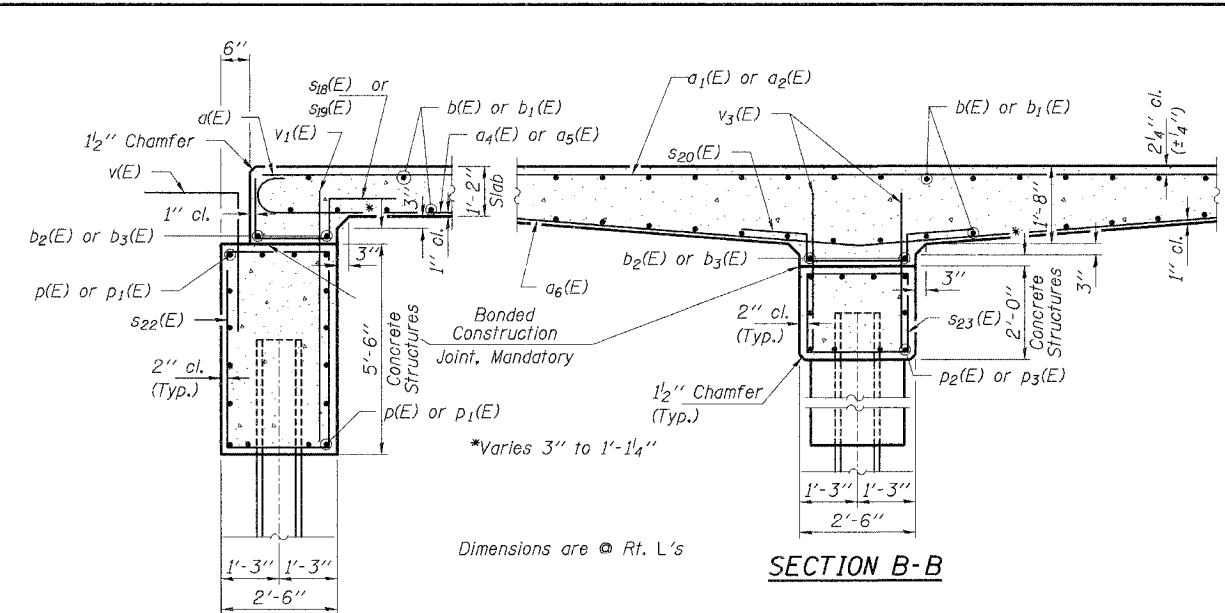
BILL OF MATERIAL

BAR	NO.	SIZE	LENGTH	SHAPE
a(E)	122	#6	21'-4"	—
a ₁ (E)	122	#10	35'-11"	—
a ₂ (E)	118	#10	24'-3"	—
a ₃ (E)	61	#6	9'-10"	—
a ₄ (E)	122	#10	30'-9"	C
a ₅ (E)	118	#10	29'-3"	C
a ₆ (E)	122	#10	27'-3"	—
a ₇ (E)	61	#10	25'-6"	—
a ₈ (E)	59	#10	23'-10"	—
b(E)	234	#6	33'-10"	—
b ₁ (E)	234	#6	24'-10"	—
b ₂ (E)	8	#6	34'-4"	—
b ₃ (E)	8	#6	25'-3"	—
d(E)	117	#6	3'-5"	L
d ₁ (E)	117	#4	5'-6"	L
d ₂ (E)	256	#4	3'-9"	—
d ₃ (E)	256	#5	3'-11"	—
d ₄ (E)	176	#5	3'-6"	—
d ₅ (E)	88	#4	6'-4"	L
e(E)	30	#5	24'-7"	—
e ₁ (E)	36	#8	31'-8"	—
e ₂ (E)	72	#4	18'-11"	—
e ₃ (E)	36	#4	22'-0"	—
e ₄ (E)	48	#5	14'-8"	—
e ₅ (E)	18	#8	14'-8"	—
s(E)	182	#4	6'-2"	□
s ₁ (E)	8	#4	6'-4"	□
s ₂ (E)	8	#4	6'-6"	□
s ₃ (E)	8	#4	6'-8"	□
s ₄ (E)	8	#4	6'-10"	□
s ₅ (E)	8	#4	7'-0"	□
s ₆ (E)	8	#4	7'-2"	□
s ₇ (E)	182	#4	6'-11"	□
s ₈ (E)	8	#4	7'-1"	□
s ₉ (E)	8	#4	7'-3"	□
s ₁₀ (E)	8	#4	7'-5"	□
s ₁₁ (E)	8	#4	7'-7"	□
s ₁₂ (E)	8	#4	7'-9"	□
s ₁₃ (E)	8	#4	7'-11"	□
s ₁₄ (E)	121	#4	9'-1"	□
s ₁₅ (E)	11	#4	9'-3"	□
s ₁₆ (E)	11	#4	9'-5"	□
s ₁₇ (E)	33	#4	7'-8"	□
s ₁₈ (E)	72	#5	5'-8"	L
s ₁₉ (E)	50	#5	6'-6"	L
s ₂₀ (E)	122	#5	8'-6"	—
s ₂₄ (E)	11	#4	9'-9"	□
Concrete Superstructure		Cu. Yd.	396.5	
Reinforcement Bars, Epoxy Coated		Pound	130,790	
Protective Coat		Sq. Yd.	1,000	
Bridge Deck Grooving		Sq. Yd.	722	
Name Plates		Each	1	
Bar Splicers		Each	350	
Arch. Finish for Conc. Surfaces		Sq. Ft.	2,410	

All Reinforcement bars shall be epoxy coated.

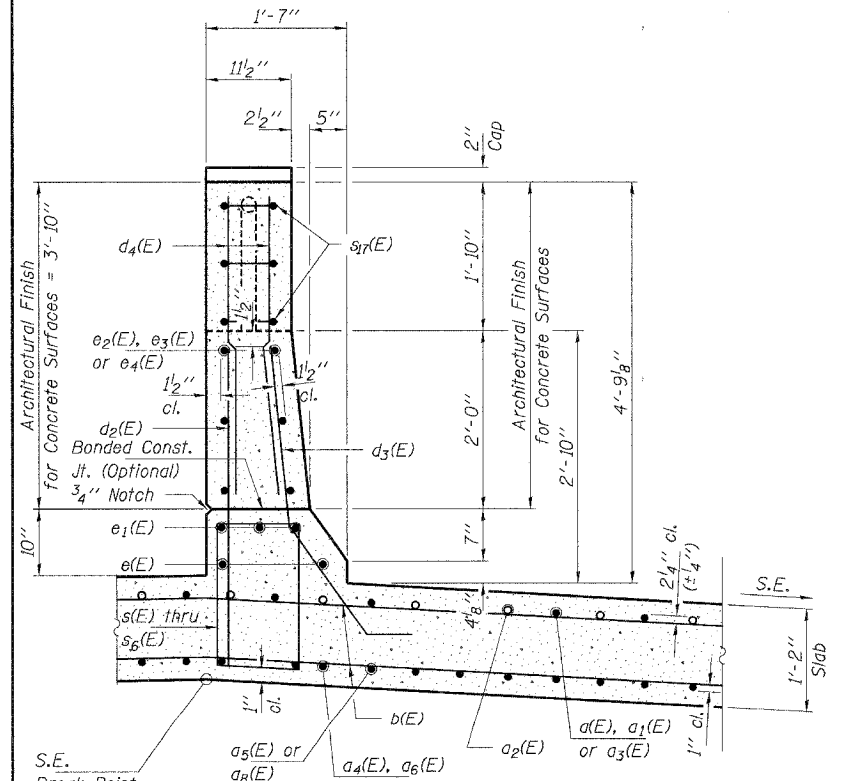


SECTION THRU NORTH PARAPET PILASTER
(Looking East)

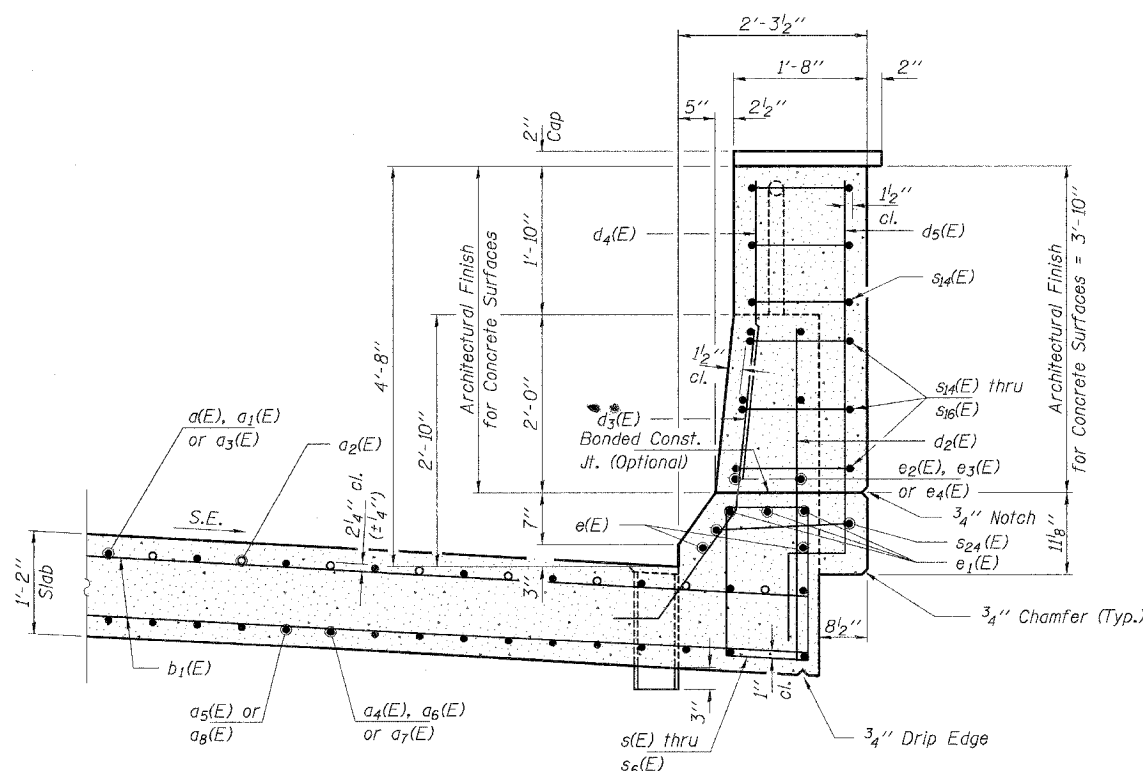


SECTION A-A

SECTION B-B



SECTION THRU CENTER PARAPET PILASTER
(Looking East)



SECTION THRU SOUTH PARAPET PILASTER
(Looking East)

HLR
Rice, Berry and Associates
A Division of Hompton, Lenzini and Renwick, Inc.
Civil & Structural Engineers
801 S. Durkin Drive
Springfield, Illinois 62704
217-546-3400
P.O. Box 1036
DuQuoin, Illinois 62832
618-790-4637
Account Number: 12-07-0043-1
Date: 05/23/05
DESIGNED: S.M.S. CHECKED: S.W.M. DRAWN: D.B.

SUPERSTRUCTURE DETAILS
MILLBURN ROAD / CH 14
SECTION 99-00076-11-BR
LAKE COUNTY
STATION 17+65