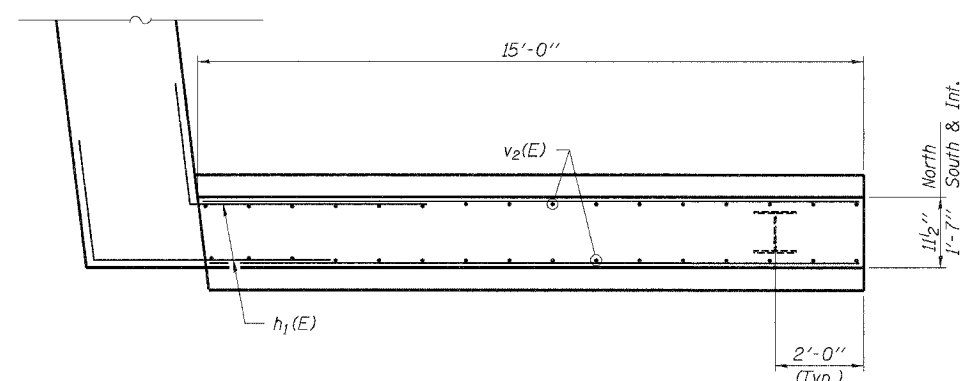


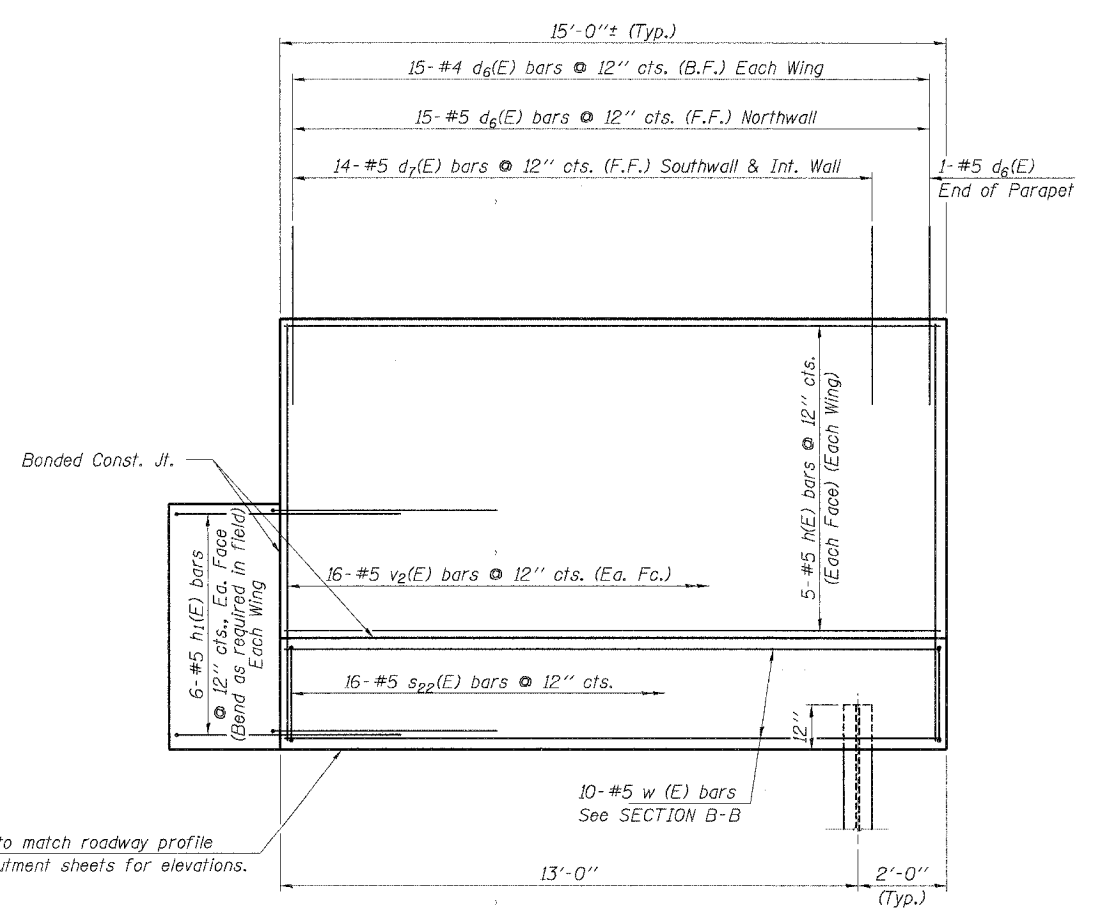
ROUTE NO.	SECTION	COUNTY	TOTAL SHEETS	SHEET NO.
C.H. 14	99-00076-11-BR	LAKE	66	35
FED. ROAD DIST. NO.		ILLINOIS	FED. AID PROJECT-	

Note: See Superstructure Sheets for Parapet Details on Wingwalls.

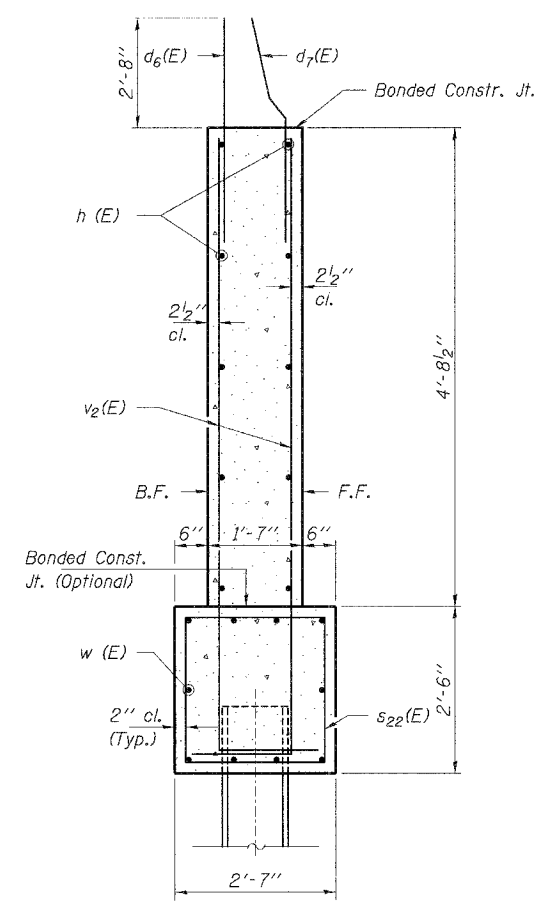
CONTRACT NO: 83763



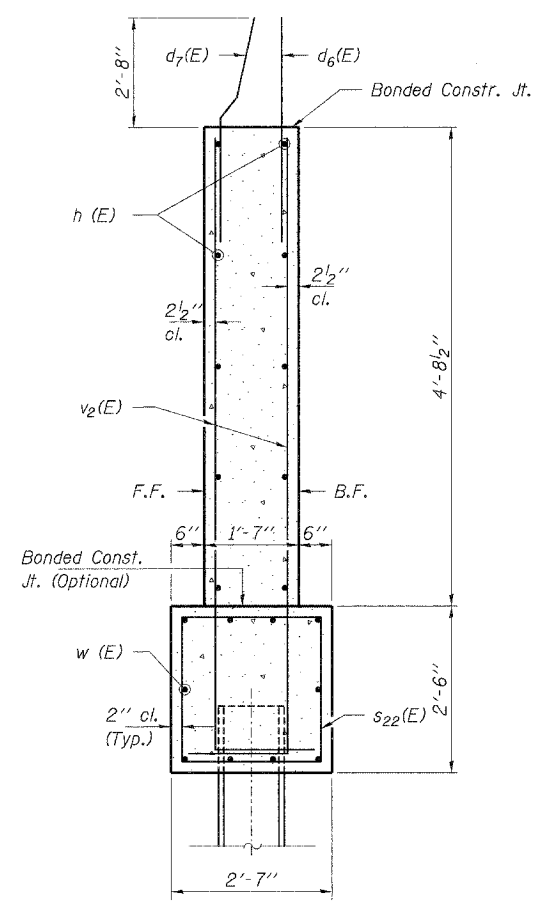
WINGWALL PLAN
(Typ. all Wingwalls - South East Shown)



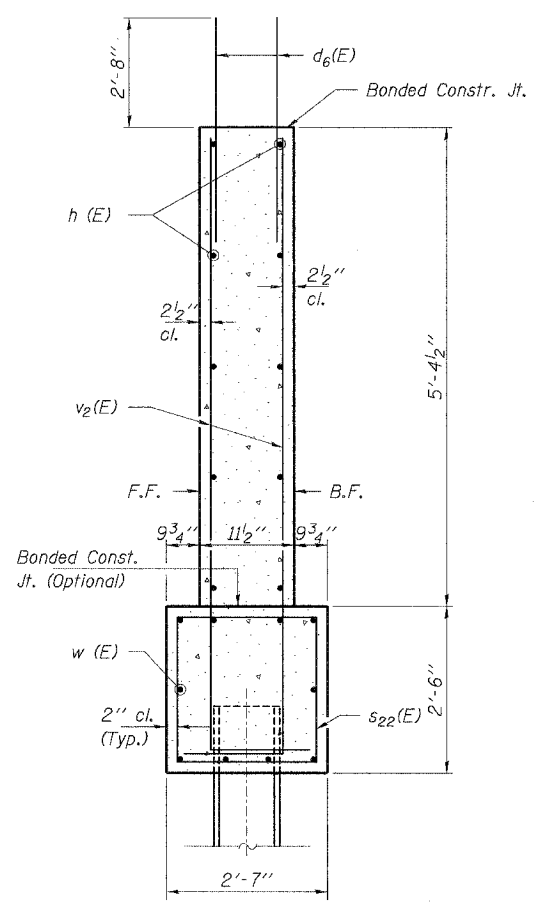
WINGWALL ELEVATION
(Typ. all Wingwalls)



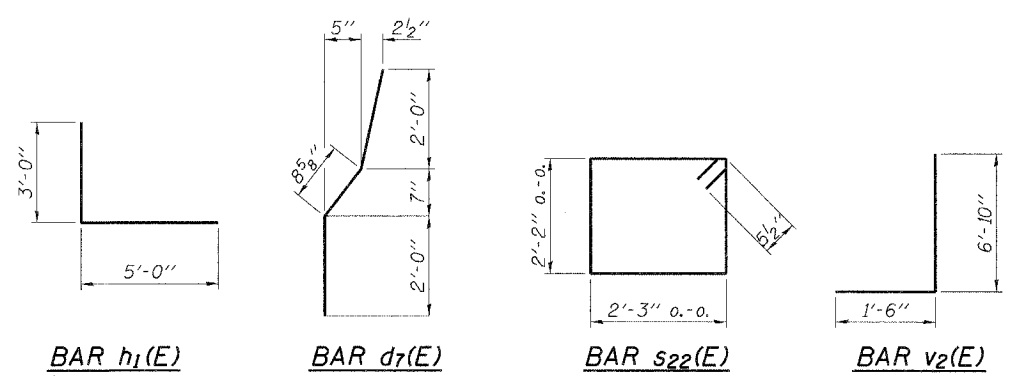
SECTION D-D



SECTION C-C



SECTION B-B



See sheet 34 for Bill of Material

	Rice, Berry and Associates A Division of Hampton, Lenzini and Renwick, Inc. Civil & Structural Engineers 801 S. Durkin Drive Springfield, Illinois 62704 217-546-3400	WEST ABUTMENT DETAILS MILLBURN ROAD / CH 14 SECTION 99-00076-11-BR LAKE COUNTY STATION 17+65
	Account Number 12-07-0043-1 Date: 05/23/05 DESIGNED: S.M.S. CHECKED: S.W.M. DRAWN: D.B.	