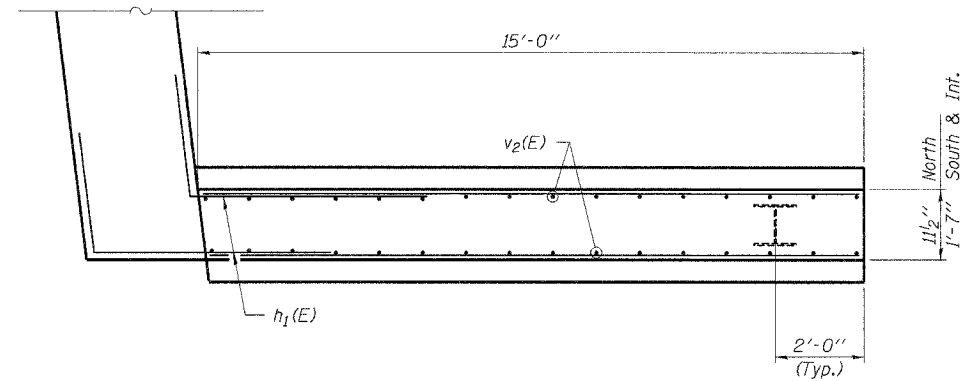


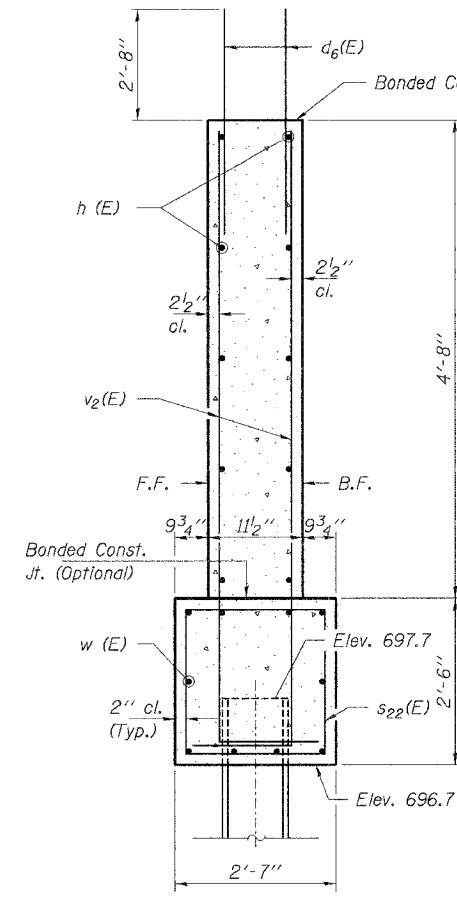
Note: See Superstructure Sheets for Parapet Details on Wingwalls.

ROUTE NO.	SECTION	COUNTY	DATE	SHEET
C.H. 14	99-00076-11-BR	LAKE	66	37
FED. ROAD DIST. NO.	ILLINOIS	FED. AID PROJECT		

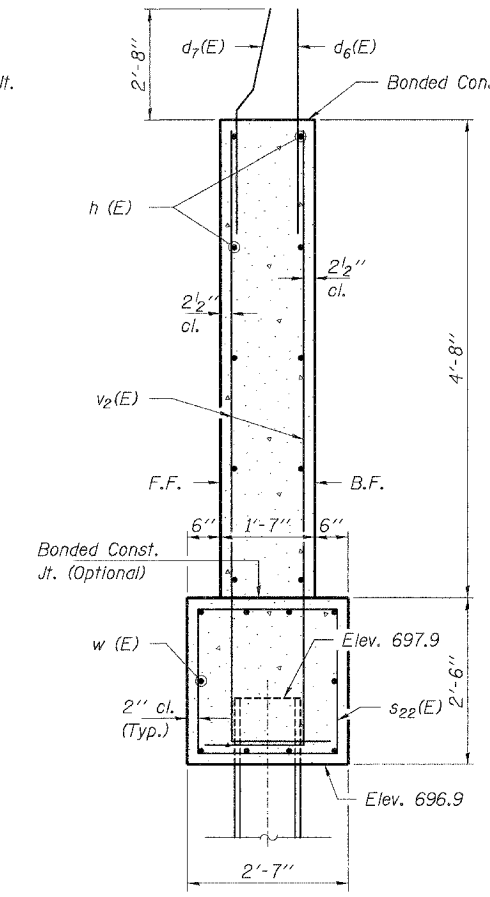
CONTRACT NO: 83763



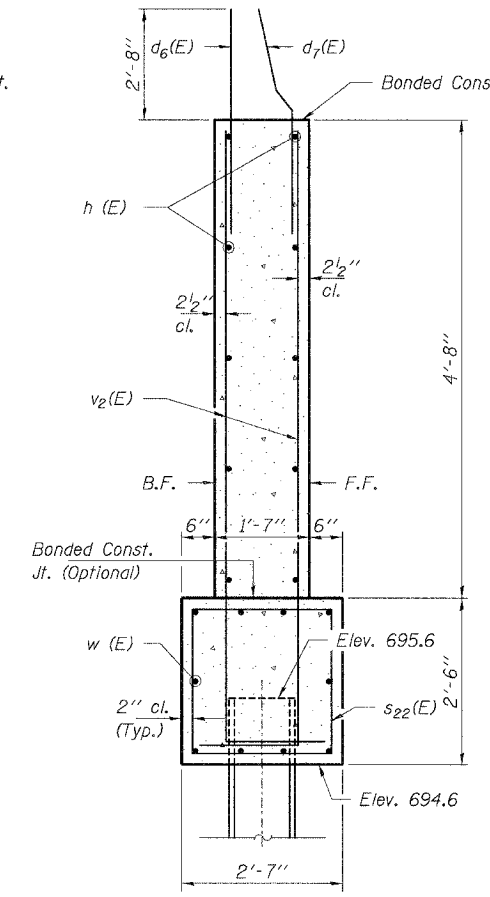
WINGWALL PLAN
(Typ. all Wingwalls - South East Shown)



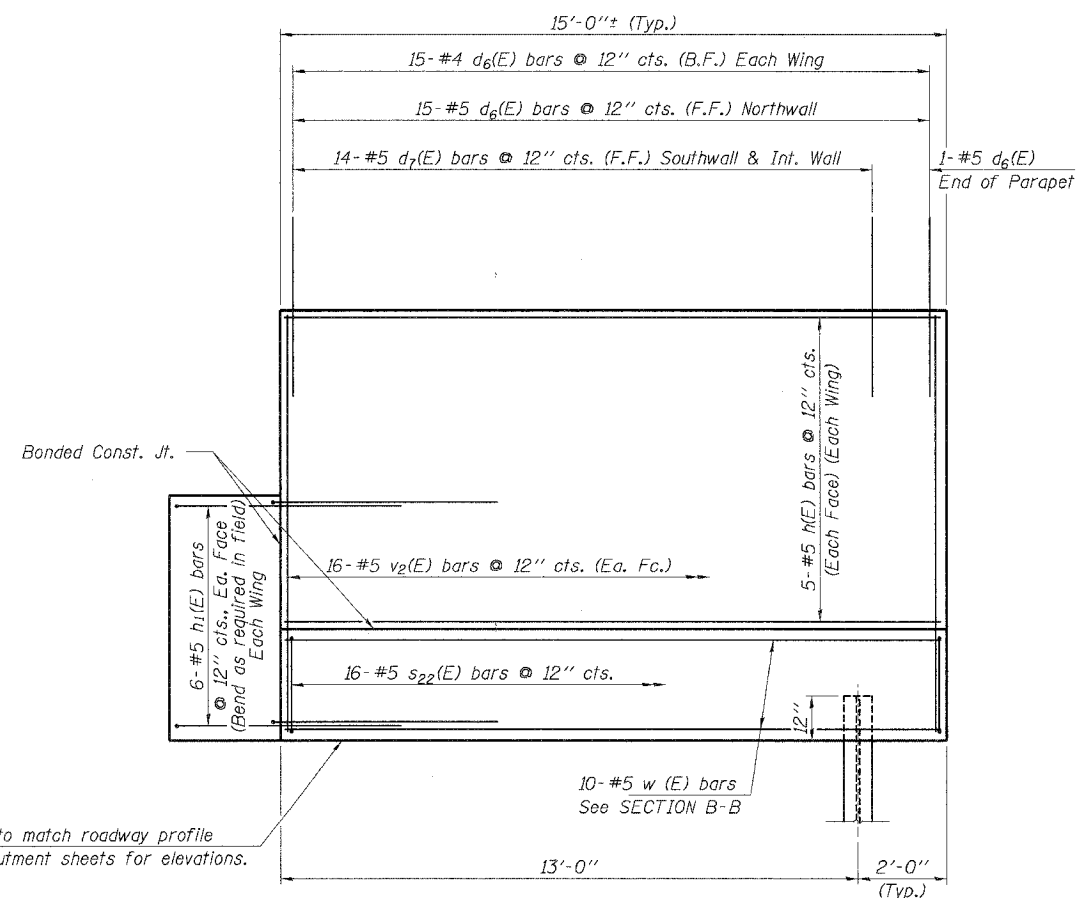
SECTION B-B



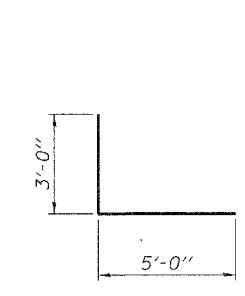
SECTION C-C



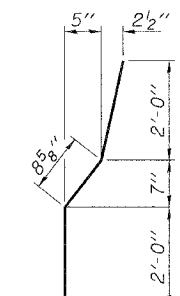
SECTION D-D



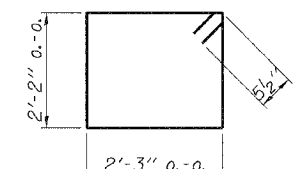
WINGWALL ELEVATION
(Typ. all Wingwalls)



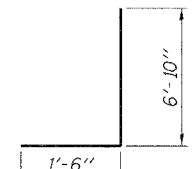
BAR h₁(E)



BAR d₇(E)



BAR s₂₂(E)



BAR v₂(E)

See sheet 36 for Bill of Material

HLR
Rice, Berry and Associates
A Division of Hampton, Lenzini and Renwick, Inc.
Civil & Structural Engineers
801 S. Durkin Drive
Springfield, Illinois 62704
217-546-3400
P.O. Box 1036
DuQuoin, Illinois 62832
618-790-4637
Account Number 12-07-0043-1
Date: 05/23/05
DESIGNED: S.M.S. CHECKED: S.W.M. DRAWN: D.B.

EAST ABUTMENT DETAILS
MILLBURN ROAD / CH 14
SECTION 99-00076-11-BR
LAKE COUNTY
STATION 17+65