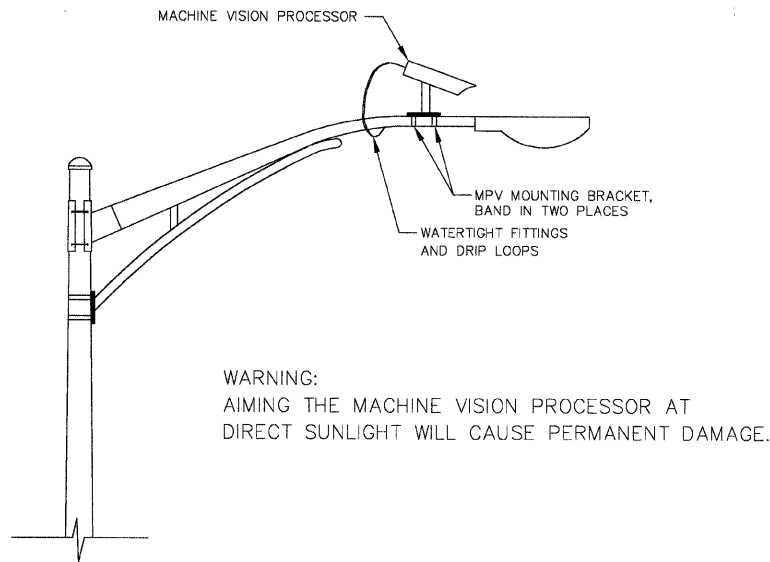
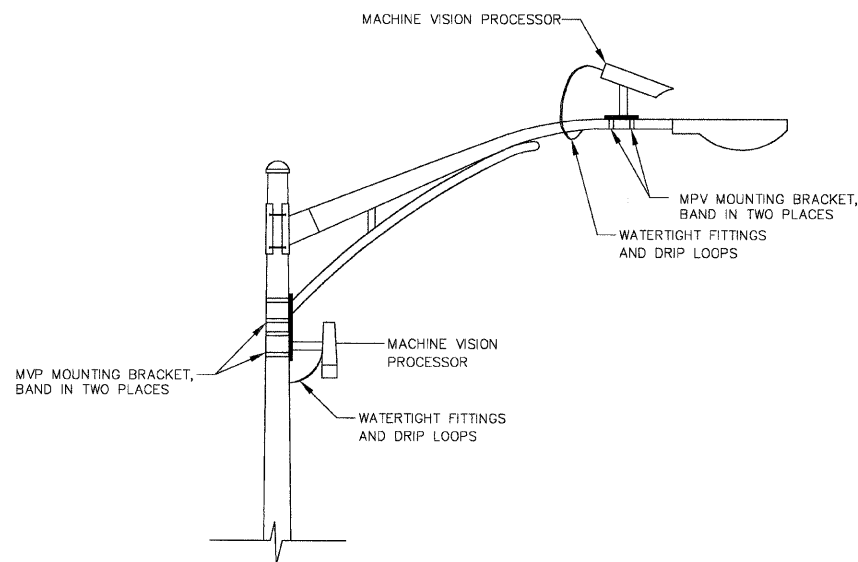


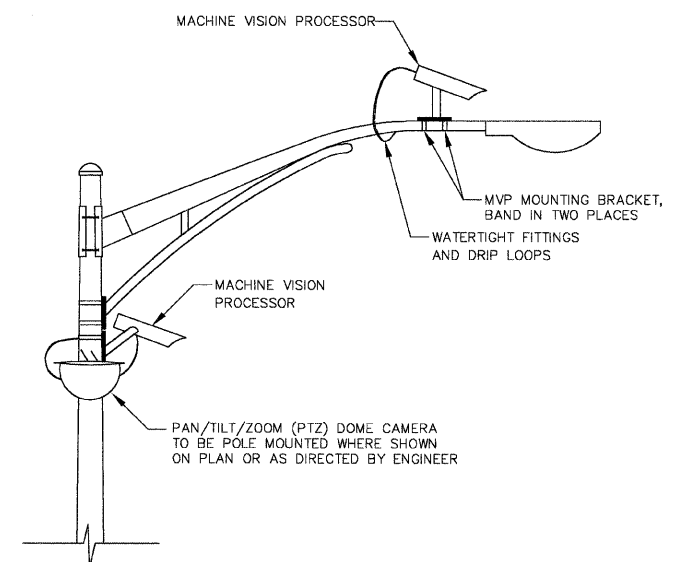
F.A.P. ROUTE	COUNTY SECTION	COUNTY	TOTAL SHEET
336	99-00243-00-PV	KANE	268 140
CONTRACT NO. 83782			
VIDEO DETECTION DETAILS			
F.H.W.A. REG.5 ILLINOIS PROJECT F-0336(008)			



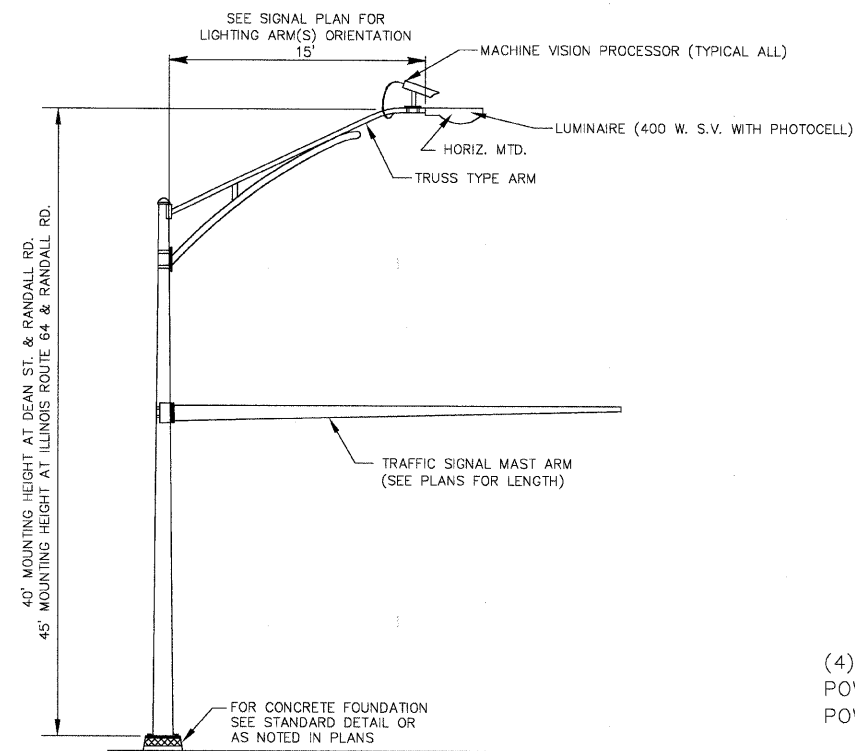
**TYPICAL**  
**SINGLE MACHINE VISION PROCESSOR**  
**MOUNTING DETAIL**  
 (NOT TO SCALE)



**TYPICAL**  
**DUAL MACHINE VISION PROCESSORS**  
**MOUNTING DETAILS**  
 (NOT TO SCALE)

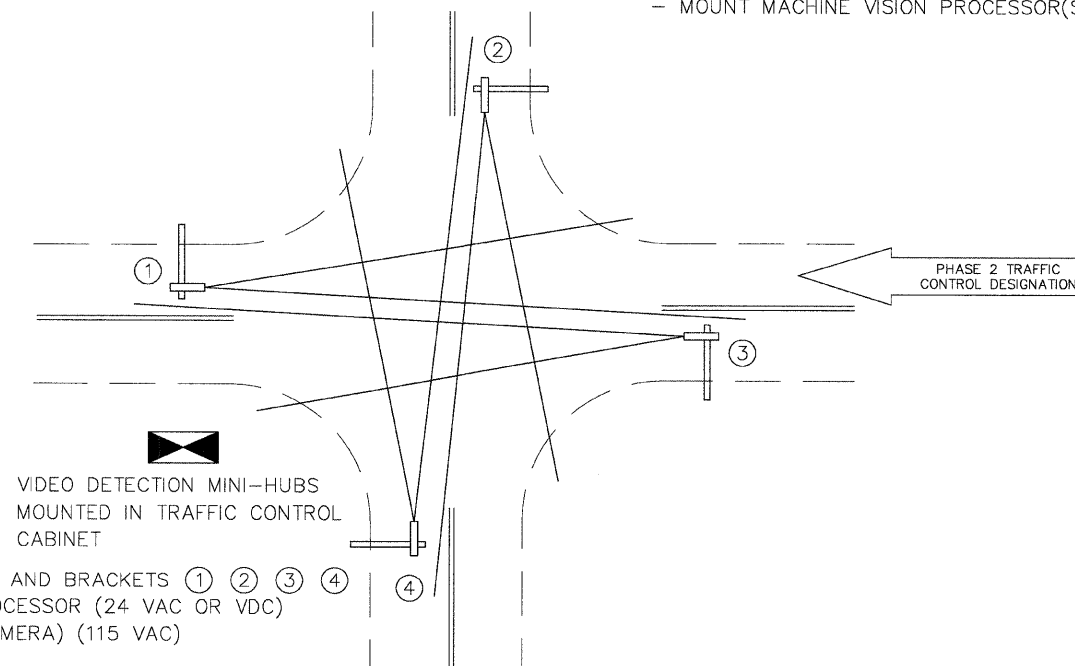


**TYPICAL**  
**MULTIPLE MACHINE VISION PROCESSORS**  
**MOUNTING DETAILS**  
 (NOT TO SCALE)



**COMBINATION MAST ARM ASSEMBLY**  
**DETAIL**  
 (NOT TO SCALE)

- NOTES FOR SINGLE, DUAL AND MULTIPLE MVP MOUNTING:
- SECURE MVP MOUNTING BRACKET(S) AS HIGH AS POSSIBLE.
  - AIM MVP BRACKET(S) TOWARD DIRECTION OF TRAFFIC TO BE DETECTED.
  - MOUNT MACHINE VISION PROCESSOR(S) DOWN AT 30 DEGREE ANGLE.



**TYPICAL VIDEO VEHICLE**  
**DETECTION SYSTEM**  
 (NOT TO SCALE)

DIVISION OF TRANSPORTATION	
TYPICAL VIDEO DETECTION LAYOUT AND MOUNTING DETAILS	
RANDALL RD.	
NAME	DATE
REVISIONS	
SCALE: NONE	DRAWN BY: JMH
DATE: SEPTEMBER 23, 2004	DESIGNED BY: DMH
	CHECKED BY: JRL