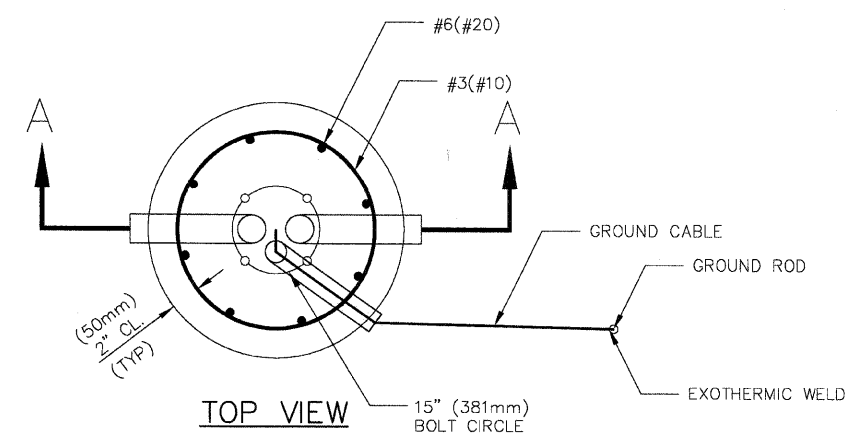


SECTION A-A
N.T.S.

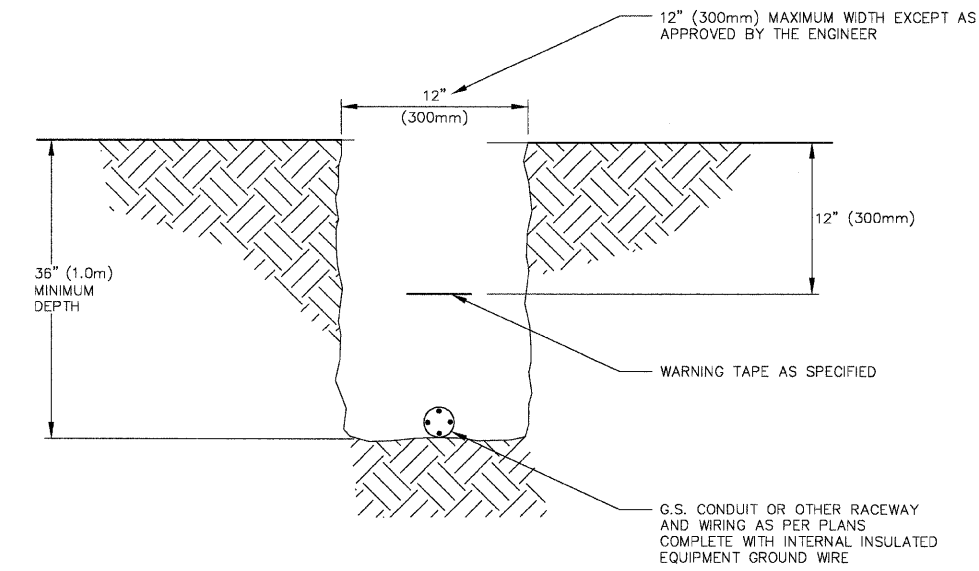


LIGHT POLE FOUNDATION DETAIL
N.T.S.

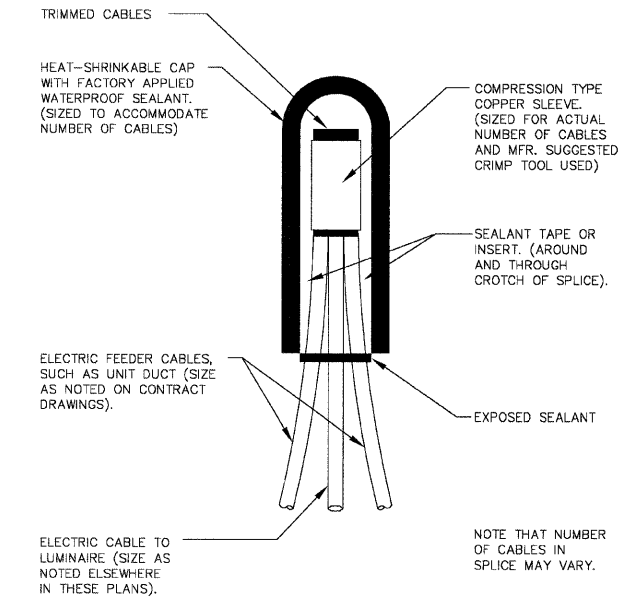
- MINIMUM UNCONFINED COMPRESSIVE STRENGTH FOR COHESIVE SOILS $Q_u = 0.8$ TONS PER SQ. FT. MINIMUM STANDARD PENETRATION TEST VALUE FOR GRANULAR SOILS $N = 10$ BLOWS PER FOOT.
- MINIMUM COMPRESSIVE STRENGTH FOR CONCRETE SHALL BE 3500 PSI AT THE END OF 28 DAYS.
- ALL REINFORCEMENT SHALL BE EPOXY COATED WITH A MINIMUM YIELD POINT OF 60000 PSI.
- THE ANCHOR BOLTS AND RACEWAYS SHALL BE PROPERLY SECURED IN PLACE BEFORE THE CONCRETE IS PLACED IN FORMS.
- EXCAVATION FOR THE POLE FOUNDATION SHALL BE WITH AN AUGER 24 INCHES (600mm) IN DIAMETER.
- WHEN INSTALLED WITHIN THE CLEAR ZONE, THE FOUNDATION, WITH ANCHOR RODS AND BREAKAWAY DEVICE INCLUDED, SHALL NOT PROTRUDE MORE THAN 4 INCHES (100mm) ABOVE THE FINISHED GRADE.
- THE FOLLOWING FOUNDATIONS MAY BE PLACED WITHIN THE LIMITS OF THE TRENCH BACKFILL THAT WAS PLACED FOR THE INSTALLATION OF STORM SEWER, WATER MAIN OR OTHER UTILITIES. THIS MAY REQUIRE THE USE OF A FORM TO PREVENT THE TRENCH BACKFILL MATERIAL FROM ENTERING THE EXCAVATION. IN ADDITION, DUE TO THE DEPTHS OF SOME UTILITIES, DEPTHS BEYOND THE NOMINAL 8 FEET SHOWN MAY BE NEEDED AT SOME LOCATIONS. THE EXCAVATIONS FOR THESE LOCATIONS SHALL BE INSPECTED BY THE ENGINEER PRIOR TO INSTALLING THE REINFORCING BARS. THE ENGINEER SHALL DETERMINE IF ADDITIONAL FOUNDATION DEPTH IS REQUIRED DUE TO SOIL CONDITIONS ACCORDING TO THE FOUNDATION DEPTH TABLE BELOW. A QUANTITY OF 240 FEET OF ADDITIONAL LIGHT POLE FOUNDATION, 24" DIAMETER HAS BEEN INCLUDED. A QUANTITY OF 36 FEET OF LIGHT POLE FOUNDATION, 24" DIAMETER, OFFSET HAS BEEN INCLUDED IN THE EVENT THAT A STANDARD FOUNDATION CAN NOT BE USED.

RANDALL ROAD		MAIN STREET (ILL. ROUTE 64)
11+50 RT	37+50 RT	337+70 RT
27+60 RT	37+50 LT	339+75 RT
29+35 RT	41+30 RT	342+15 RT
29+35 LT	43+00 RT	344+25 RT
31+00 RT	44+80 RT	346+10 RT
31+00 LT	46+60 RT	347+75 RT
32+65 RT	48+40 RT	354+30 LT
32+49 LT	50+20 RT	354+42 RT
34+30 RT	53+90 RT	356+40 RT
34+30 LT	55+60 RT	
35+90 RT		
35+90 LT		

LIGHT POLE FOUNDATION DEPTH TABLE	
SOIL CONDITIONS	DESIGN DEPTH OF FOUNDATION
	SINGLE ARM POLE
SOFT CLAY $Q_u = 0.375$ TON/SQ. FT.	3.96M (13'-0")
MEDIUM CLAY $Q_u = 0.75$ TON/SQ. FT.	2.09M (9'-6")
STIFF CLAY $Q_u = 1.50$ TON/SQ. FT.	2.13M (7'-0")
LOOSE SAND $\phi = 34'$	2.74M (9'-0")
MEDIUM SAND $\phi = 37.5'$	2.52M (8'-3")
DENSE SAND $\phi = 40'$	2.36M (7'-9")



TYPICAL CONDUIT IN TRENCH DETAIL
N.T.S.



SPlicing ELECTRIC Cables BASIC MATERIALS AND METHODS
N.T.S.

REVISIONS	
NAME	DATE
PER BEO REVIEW	10-7-04
PER BEO REVIEW	12-29-04

STREET LIGHTING DETAILS

LIGHT POLE FOUNDATION
CONDUIT IN TRENCH
CABLE SPLICE

RANDALL ROAD

SCALE: NONE
DATE: 5-26-04

DRAWN BY: JMH
CHECKED BY: DAY