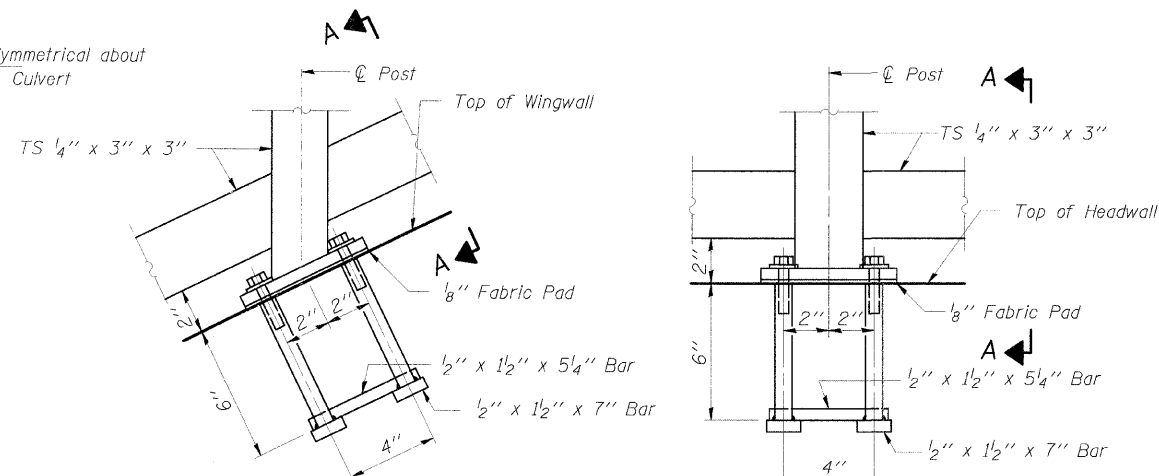
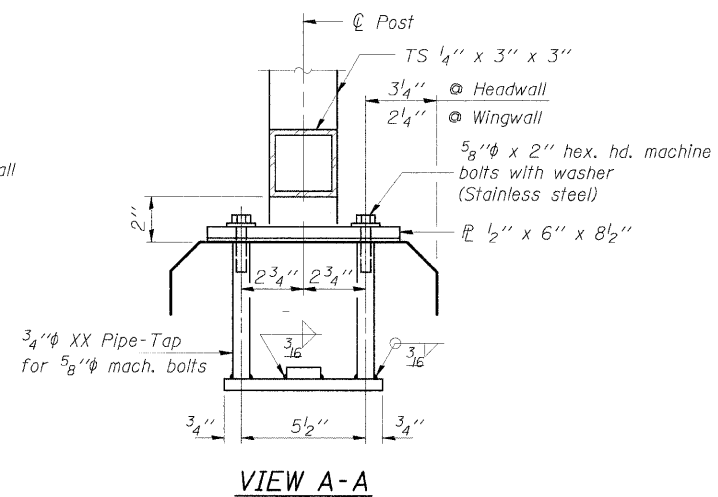


**ELEVATION**

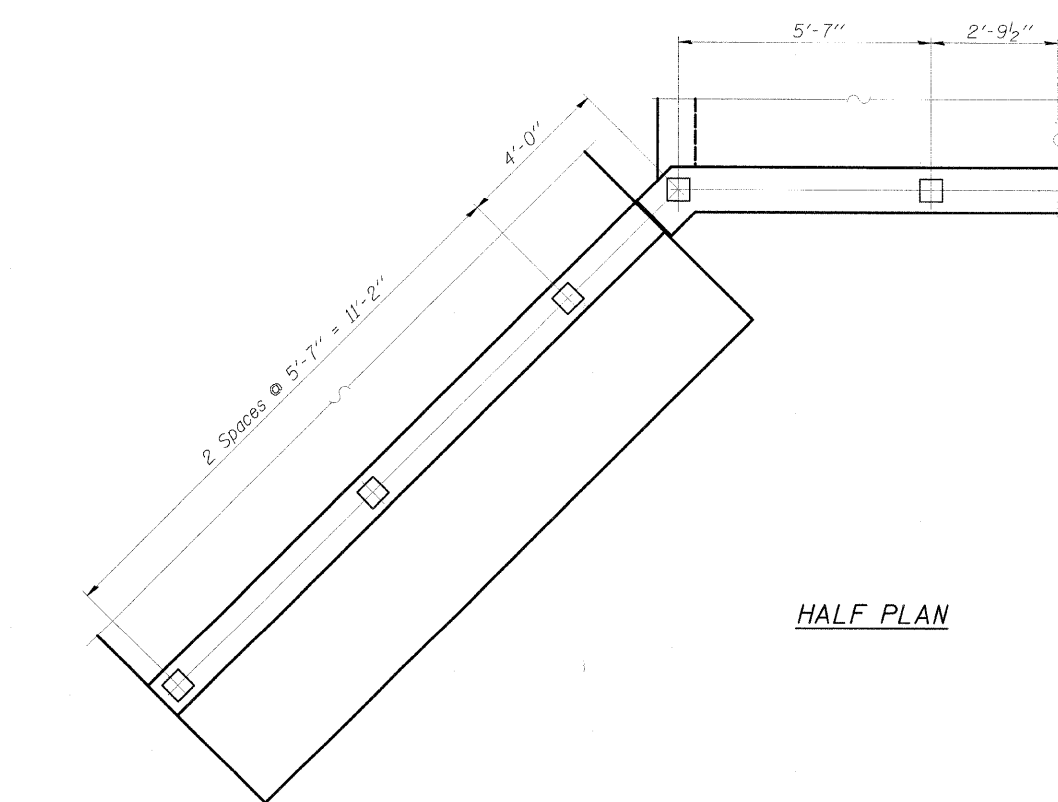
Symmetrical about  
Culvert



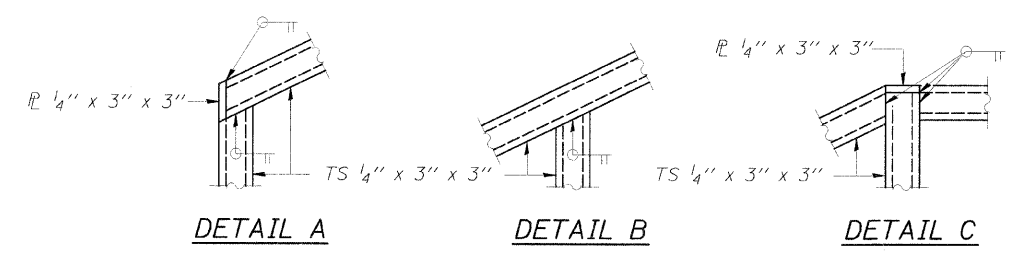
**ANCHOR BOLT DETAILS**



**VIEW A-A**



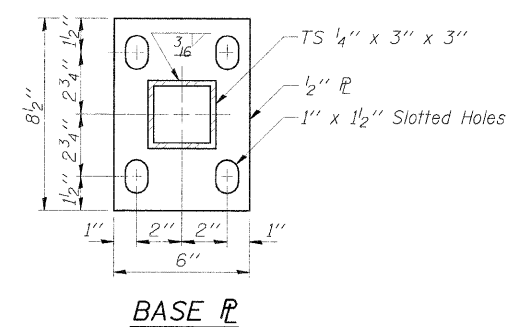
**HALF PLAN**



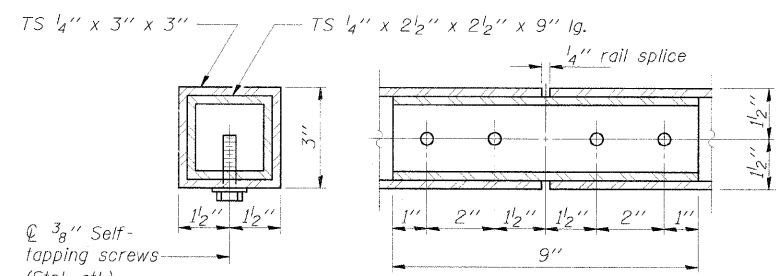
**DETAIL A**

**DETAIL B**

**DETAIL C**



**BASE R**



**RAIL SPLICE**

**NOTES**

Railing shall be in accordance with Section 509 of the Standard Specifications, except as noted, and will be paid for at the Contract Unit Price per foot for Pedestrian Railing.

The 9 gauge fabric ties shall be in accordance with Article 1006.27(d) of the Standard Specifications.

Installation of the chain link fabric shall be in accordance with Section 664 of the Standard Specifications.

Hollow structural steel tubing shall conform to the requirements of ASTM designation A 500, Grade B, structural steel tubing.

Stretchers bars shall be used at all four sides of each panel.

The chain link fabric shall conform to the requirements of Article 706.27(a)(1)(a) or (b) or (c) of the Standard Specifications.

All joints in rail shall be spliced per detail.

All posts, railing, splices, anchor devices, and plates shall be galvanized after shop fabrication in accordance with AASHTO M-111 and ASTM A-385.

All bolts, nuts and washers shall be galvanized in accordance with AASHTO M-232.

Vent holes for galvanizing shall be placed in the posts and rails at locations that will not allow the accumulation of moisture in the members.

**BILL OF MATERIAL**

Item	Unit	Quantity
Pedestrian Railing	Foot	97

**HLR**

Rice, Berry and Associates  
A Division of Hampton,  
Lenzini and Renwick, Inc.  
Civil & Structural Engineers  
801 S. Durkin Drive  
Springfield, Illinois 62704  
217-546-3400

Account Number  
03-05-0181-I  
Date: 6-09-04

P.O. Box 1036  
DuQuoin, Illinois 62832  
618-190-4637

DESIGNED: P.S.L. CHECKED: J.L.B. DRAWN: D.S.S.

**PEDESTRIAN RAILING**  
**SECTION 99-00243-00-PV**  
**BIKE PATH UNDER RANDALL ROAD**  
**KANE COUNTY**  
**STATION 11+25**