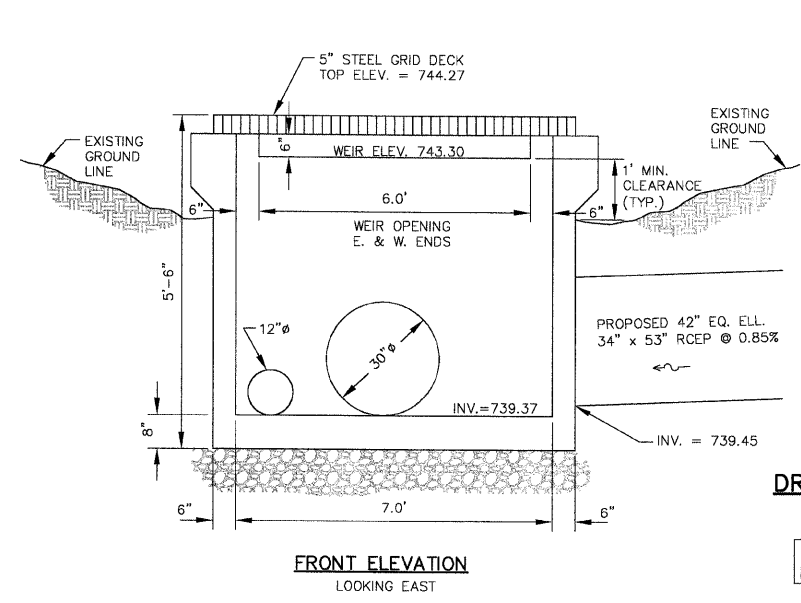
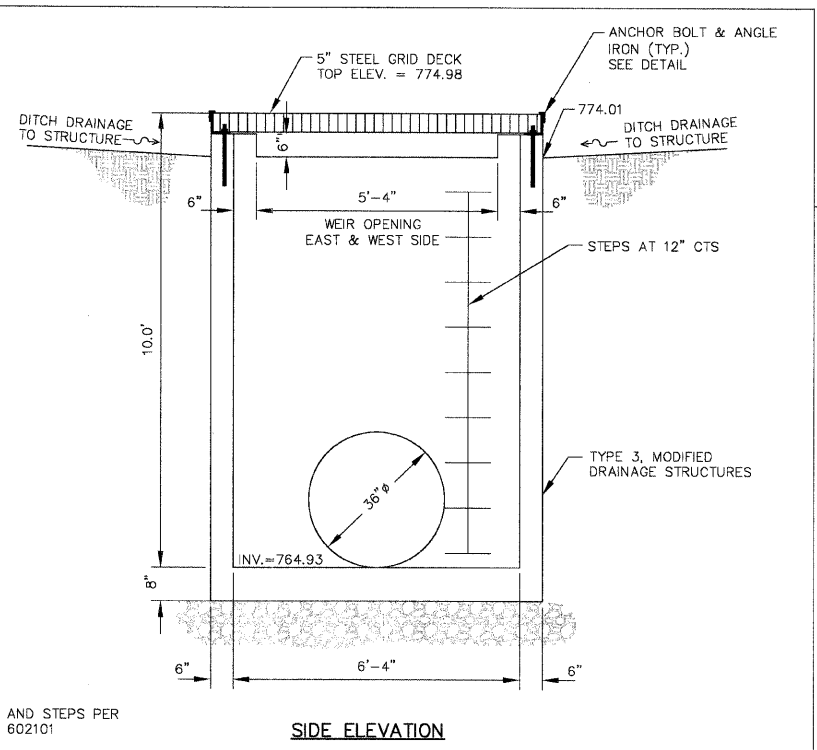
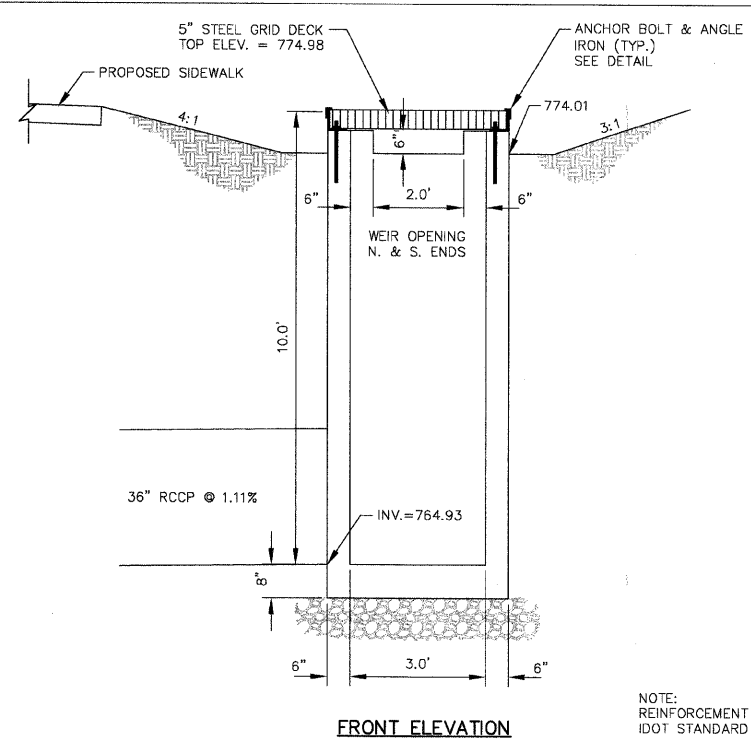
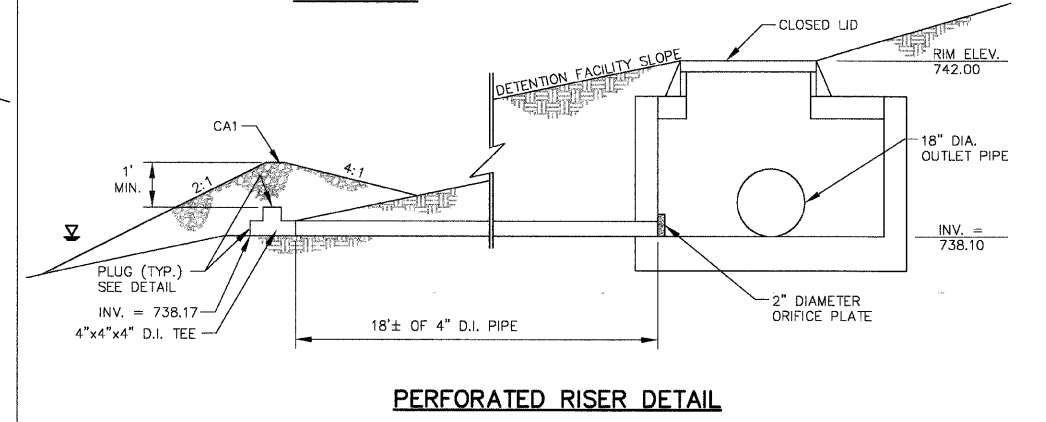
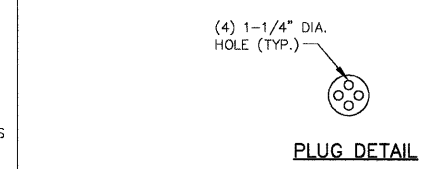
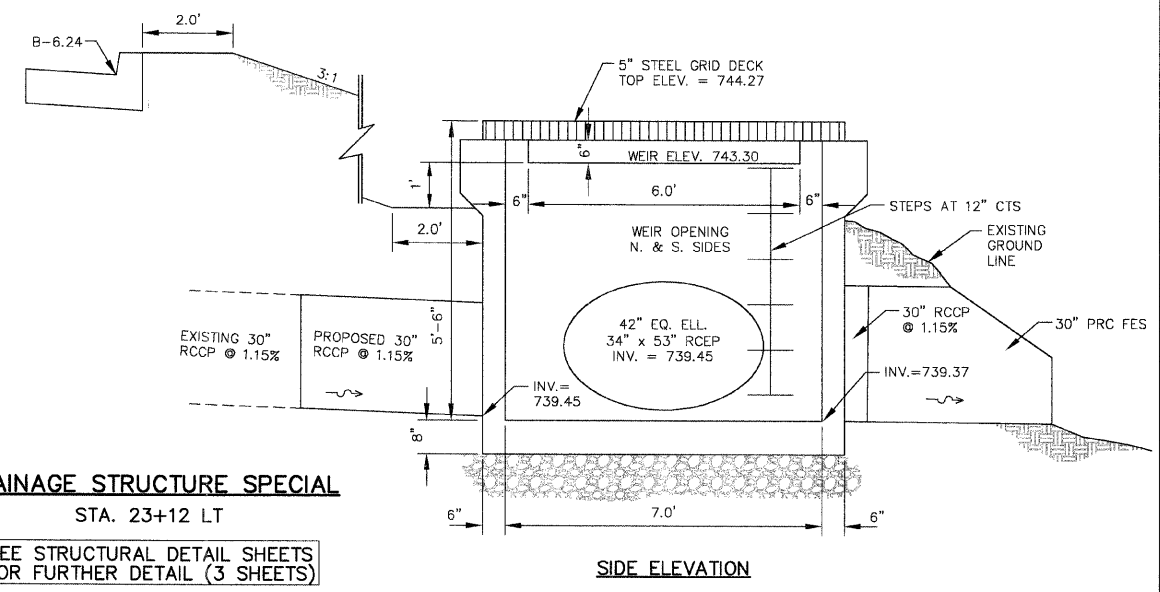


F.A.P. ROUTE	COUNTY SECTION	COUNTY	TOTAL SHEETS
336	99-00243-00-PV	KANE	268 164
SPECIAL DETAILS			
F.H.W.A. REG.5 ILLINOIS PROJECT F-0336(008)			

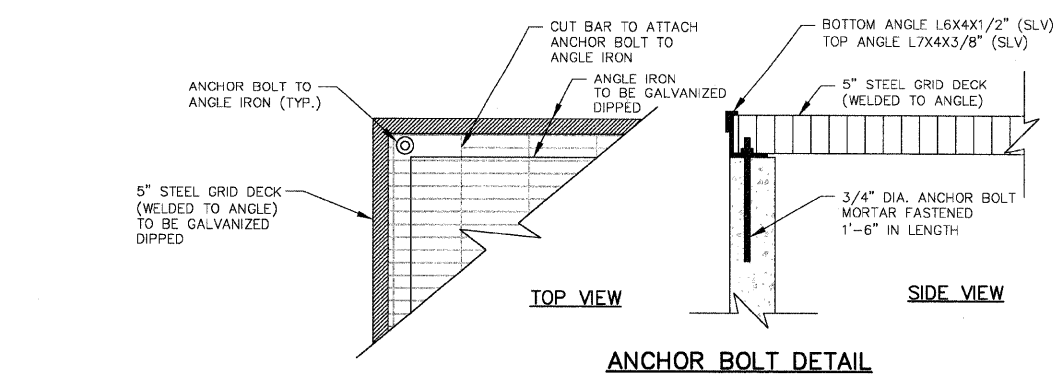


DRAINAGE STRUCTURE SPECIAL
STA. 23+12 LT
SEE STRUCTURAL DETAIL SHEETS FOR FURTHER DETAIL (3 SHEETS)

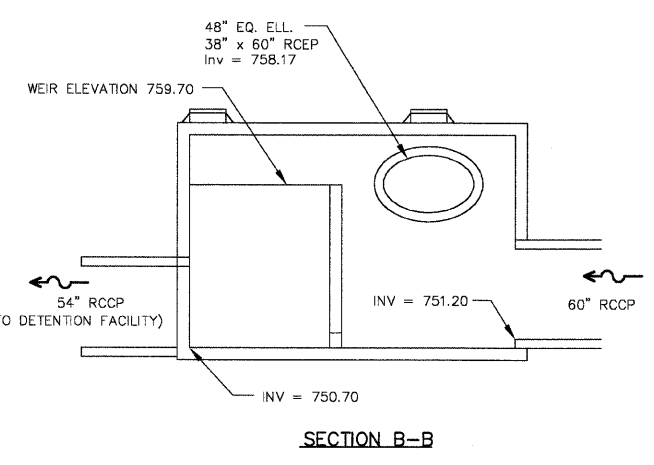
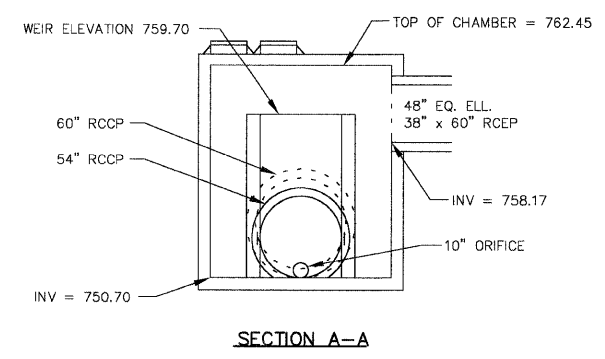
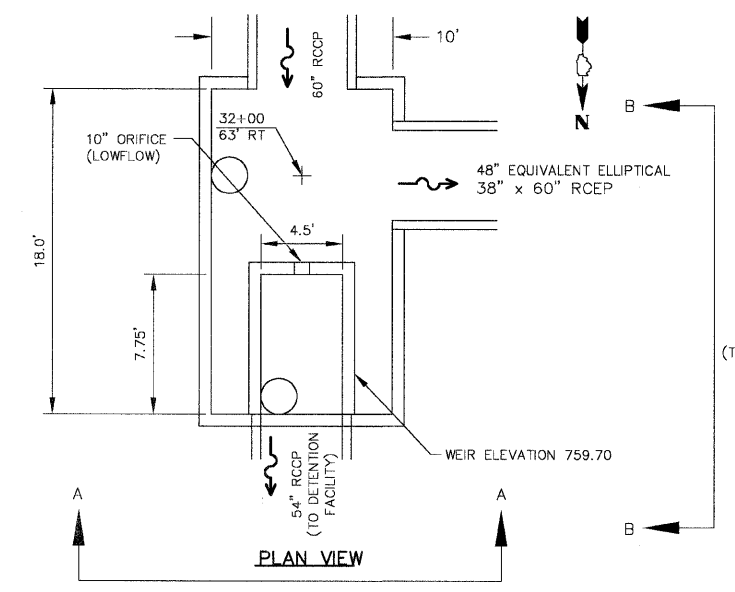


DRAINAGE STRUCTURE, TYPE 3 (MODIFIED)
STA. 44+40 RT

NOTE: REINFORCEMENT AND STEPS PER IDOT STANDARD 602101



ANCHOR BOLT DETAIL



SPLIT FLOW JUNCTION STRUCTURE
STA. 32+00 RT.
SEE STRUCTURAL DETAIL SHEETS FOR FURTHER DETAIL (3 SHEETS)