

GENERAL NOTES

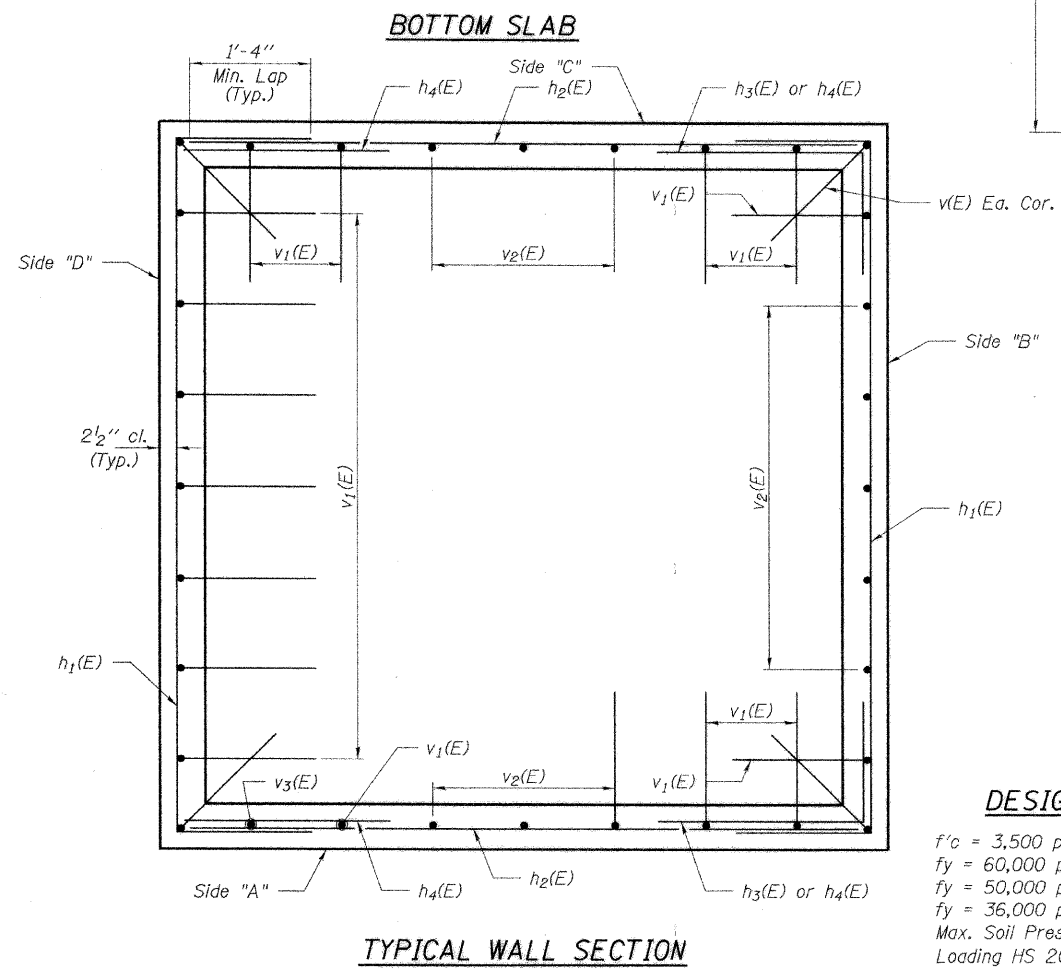
Reinforcement Bars shall conform to the requirements of AASHTO M31 or M322 Grade 60.

All reinforcement bars shall be epoxy coated.

Reinforcement Bars that interfere with concrete pipes shall be bent or cut off to provide adequate clearance, as approved by the Engineer.

Anchor Bolts shall be A307.

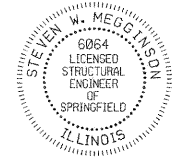
Class SI concrete shall be used throughout.



DESIGN STRESSES

f'_c = 3,500 psi
 f_y = 60,000 psi (Reinforcement Bars)
 f_y = 50,000 psi (WT Section)
 f_y = 36,000 psi (L Section)
 Max. Soil Pressure under footing = 0.9 ksf
 Loading HS 20-44

Steven W. Megettson 1-11-05
 ILLINOIS STRUCTURAL NO. 6064



Expires 11-30-06

HB

Rice, Berry and Associates
 A Division of Hampton, Lenzini and Renwick, Inc.
 Civil & Structural Engineers
 801 S. Durkin Drive
 Springfield, Illinois 62704
 217-546-3400

Account Number 03-05-0181-1
 Date: 01-11-05

P.O. Box 1036
 DuQuoin, Illinois 62832
 618-790-4637

DESIGNED: S.M.S. | CHECKED: S.W.M. | DRAWN: D.B.

DRAINAGE STRUCTURE SPECIAL

SECTION 99-00243-00-PV

RANDALL ROAD
 KANE COUNTY
 STATION 23+12