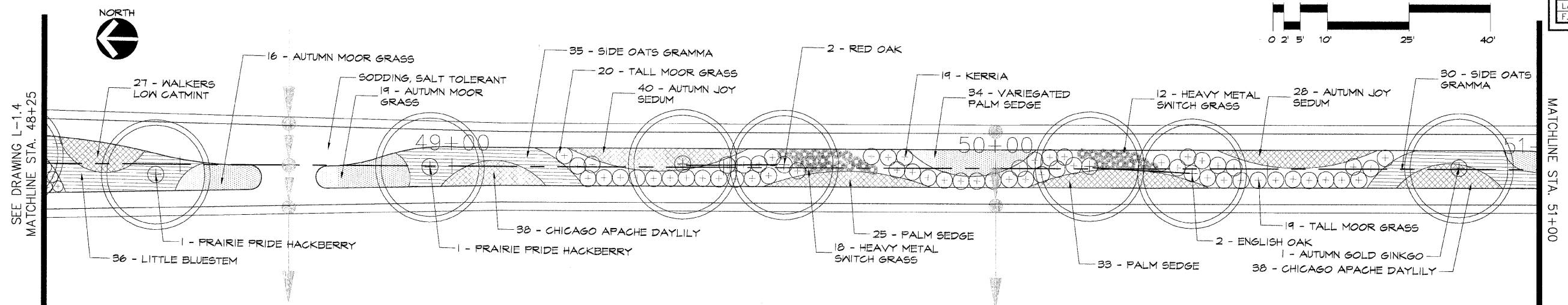
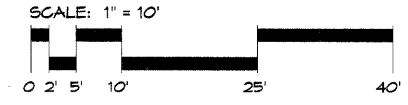
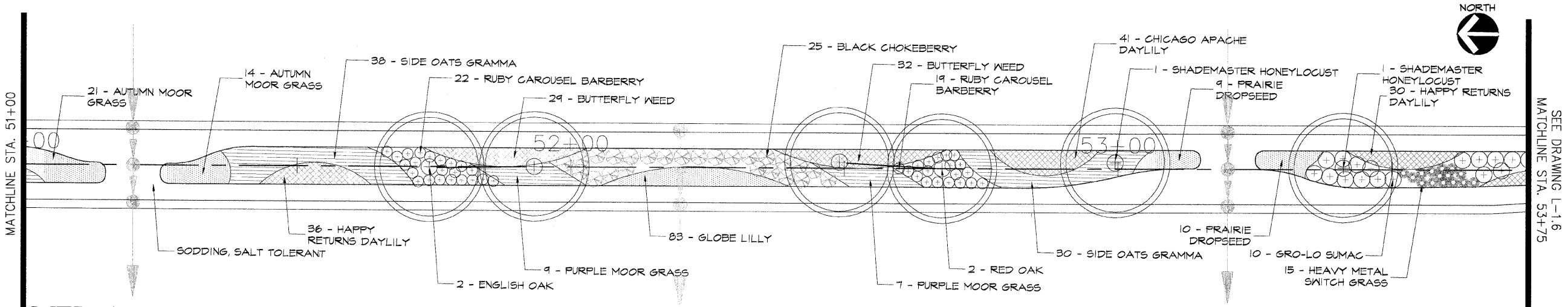


F.A.P. ROUTE	COUNTY SECTION	COUNTY	TOTAL SHEET
199-00243-00-FV	336	KANE	268
CONTRACT NO.	83782		186
LANDSCAPING PLANS			
F.H.W.A. REG. 5 ILLINOIS PROJECT F-0336(00B)			



MEDIAN PLANTER SEGMENT MP-3.03

SCALE: 1" = 10'-0"



MEDIAN PLANTER SEGMENT MP-3.04

SCALE: 1" = 10'-0"

HAYDEN BULIN LARSON

HAYDEN BULIN LARSON
 Design Group Ltd.
 750 North Franklin Street, Suite 205
 Chicago, Illinois 60610
 312.943.3234 FAX 312.943.3302

RANDALL ROAD MEDIANS

City of St. Charles
 St. Charles, Illinois

HBL Submittal: Dec. 23, 2004
 HBL Project No.: 04-001.01
 CADD File: h-medians.dwg
 Drawn By: J.E.
 Approved By: J.E.
 Revisions:

LANDSCAPE MEDIAN PLANTERS

Drawing L-1.5 Sheet 186