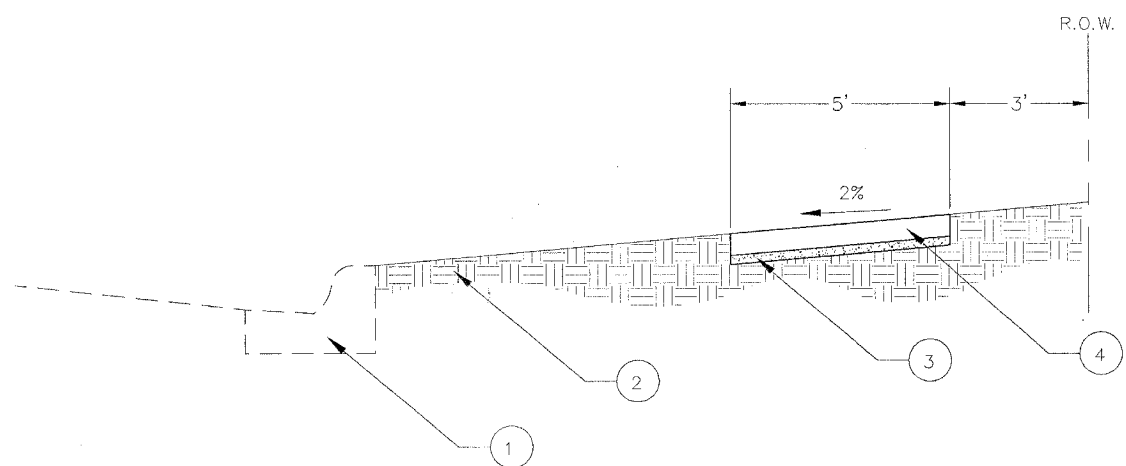


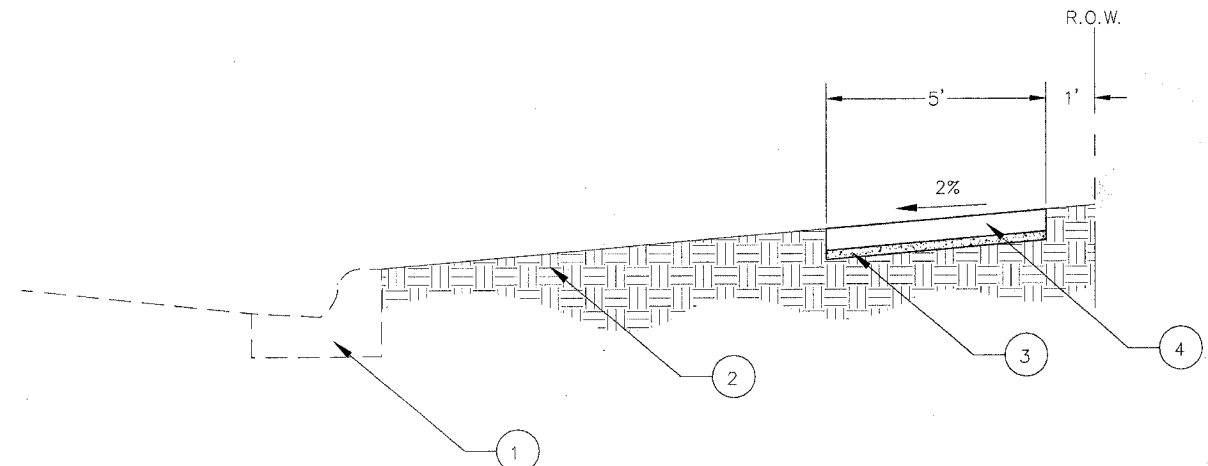
F.A.U. RTE.	SECTION	COUNTY	TOTAL SHEETS	SHEET NO.
2802	05-00026-00-SW	COOK	9	3
STA. 10+50		TO STA. 36+47		
FED. ROAD DIST. NO.		ILLINOIS	FED. AID PROJECT	
CONTRACT NO. 83804				

- ① EXISTING CURB AND GUTTER, TYPE B6.12
- ② EXISTING GROUND
- ③ PROPOSED AGGREGATE BASE, 2"
- ④ PROPOSED P.C.C. SIDEWALK, 5"



TYPICAL CROSS SECTION
STA 10+50 - 26+61

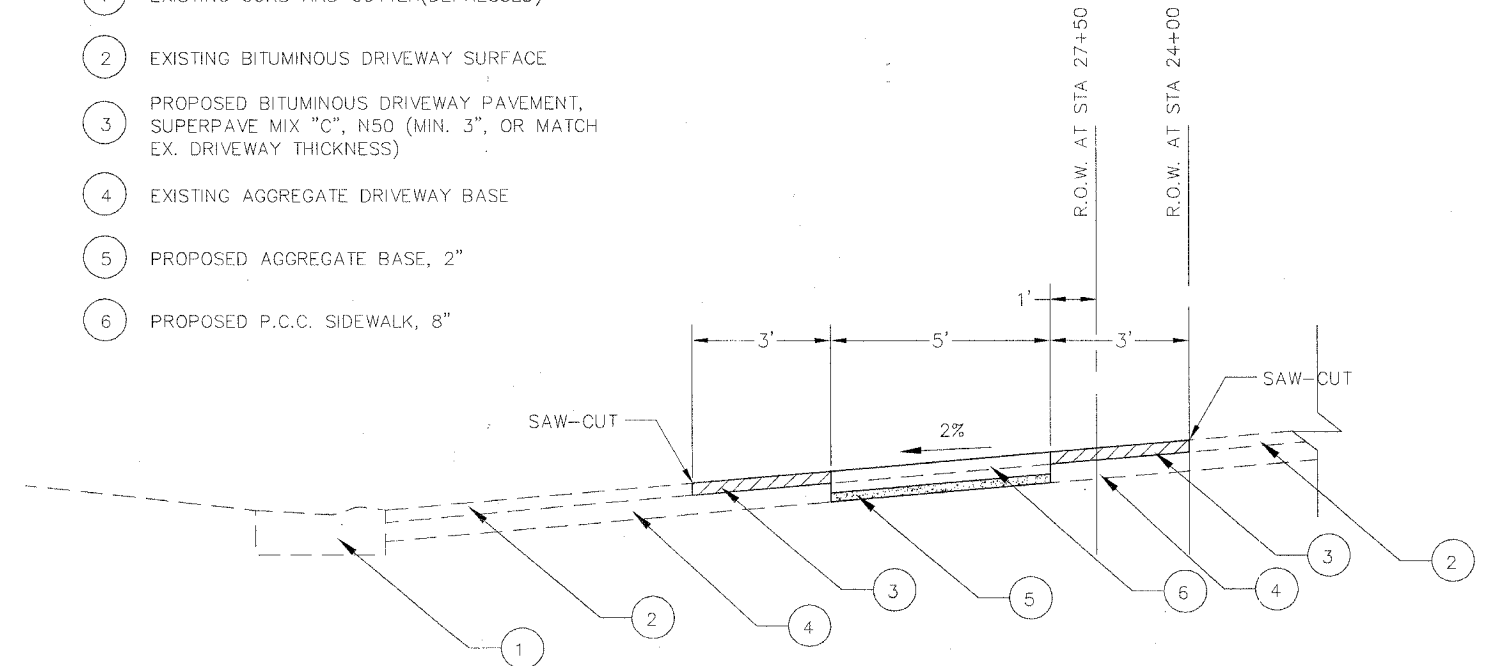
- ① EXISTING CURB AND GUTTER, TYPE B6.12
- ② EXISTING GROUND
- ③ PROPOSED AGGREGATE BASE, 2"
- ④ PROPOSED P.C.C. SIDEWALK, 5"



TYPICAL CROSS SECTION
STA 26+61 - 34+10

hbe Hoeffler-Butler Engineering, Inc.
 Consulting Civil Engineers - Land Surveyors
 PROFESSIONAL REGISTRATION LICENSE NO. 04-008819
 8714 S. ALBERTA ROAD HICKORY HILLS, ILLINOIS 60437
 CHgo. 595-9988 FAX. 595-8791

- ① EXISTING CURB AND GUTTER (DEPRESSED)
- ② EXISTING BITUMINOUS DRIVEWAY SURFACE
- ③ PROPOSED BITUMINOUS DRIVEWAY PAVEMENT, SUPERPAVE MIX "C", N50 (MIN. 3", OR MATCH EX. DRIVEWAY THICKNESS)
- ④ EXISTING AGGREGATE DRIVEWAY BASE
- ⑤ PROPOSED AGGREGATE BASE, 2"
- ⑥ PROPOSED P.C.C. SIDEWALK, 8"

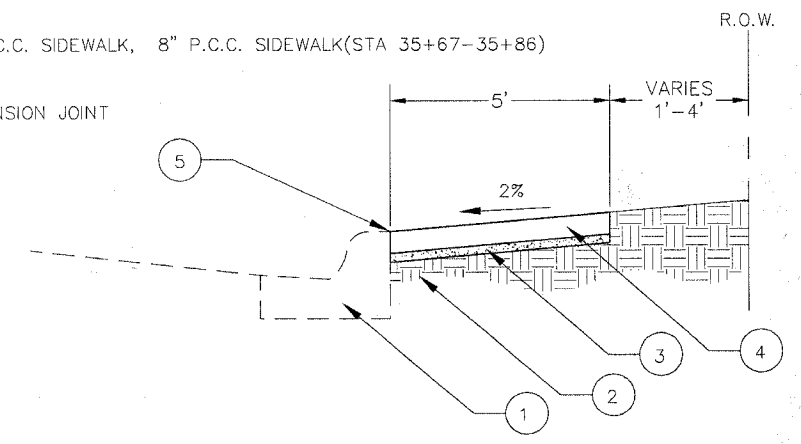


TYPICAL CROSS SECTION
AT BITUMINOUS DRIVEWAYS

BITUMINOUS MIXTURE REQUIREMENTS			
PAY ITEM	AC TYPE	VOIDS	MAX RAP (%)
BITUMINOUS CONCRETE SURFACE COURSE, SUPERPAVE 3", MIX C, N50	PG 64-22	4%@50 GYR	15

NOTE: THE UNIT WEIGHT USED TO CALCULATE ALL BITUMINOUS SURFACE QUANTITIES IS 112 LBS./S.Y./IN.

- ① EXISTING CURB AND GUTTER, TYPE B6.12
- ② EXISTING GROUND
- ③ PROPOSED AGGREGATE BASE, 2"
- ④ PROPOSED 5" P.C.C. SIDEWALK, 8" P.C.C. SIDEWALK (STA 35+67-35+86)
- ⑤ PROPOSED EXPANSION JOINT



TYPICAL CROSS SECTION
STA 34+98 - 35+86

REVISIONS	
NAME	DATE
PER IDOT REVIEW	05/20/05
PER IDOT REVIEW	05/31/05

ILLINOIS DEPARTMENT OF TRANSPORTATION
 VILLAGE OF BEDFORD PARK
 SAYRE AVE., 75TH ST.-79TH ST.
 SIDEWALK CONSTRUCTION
 TYPICAL CROSS SECTIONS
 HORIZ: 1"=20'
 DATE: 03/14/05
 DRAWN BY: ECC
 CHECKED BY: SAL