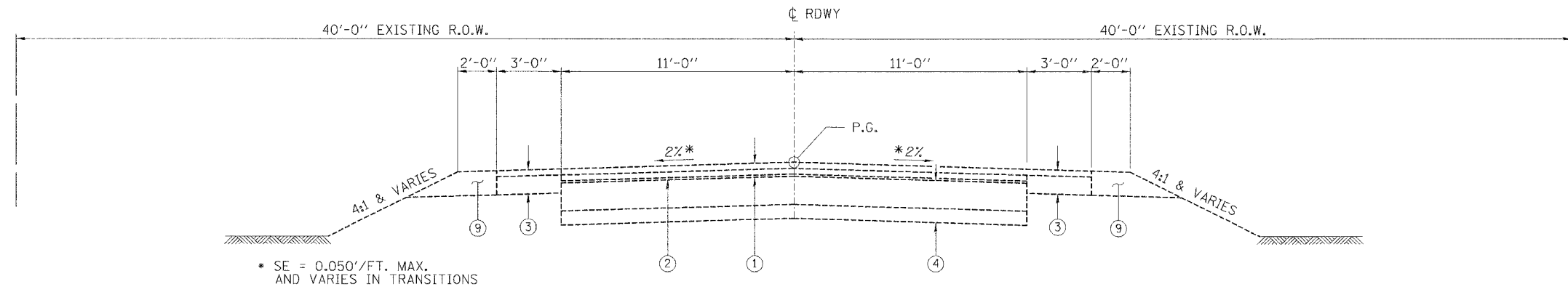
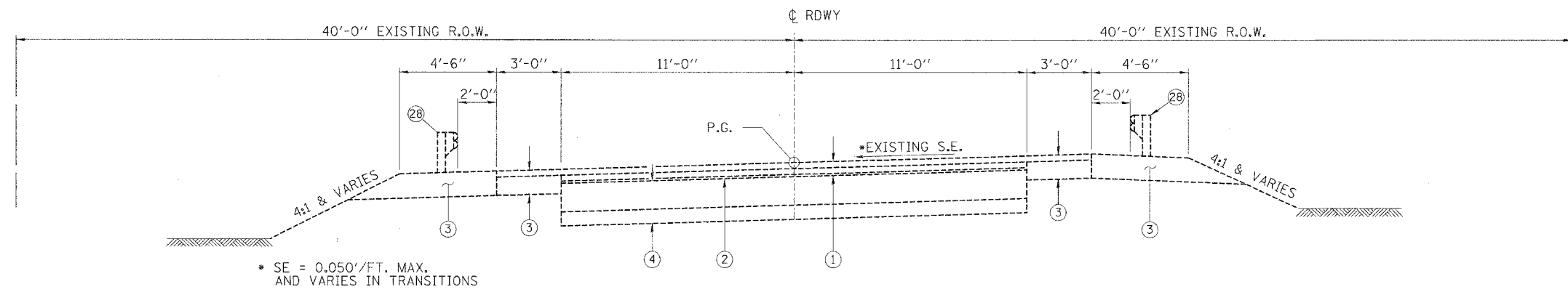


ROUTE NO.	SECTION	COUNTY	TOTAL SHEETS	SHEET NO.
F.A.U. 3706	00-00068 -07-BR	LAKE	50	6
FED. ROAD DIST. NO.	T.L. LINE	FED. AID PROJECT	BRM-7003(876)	

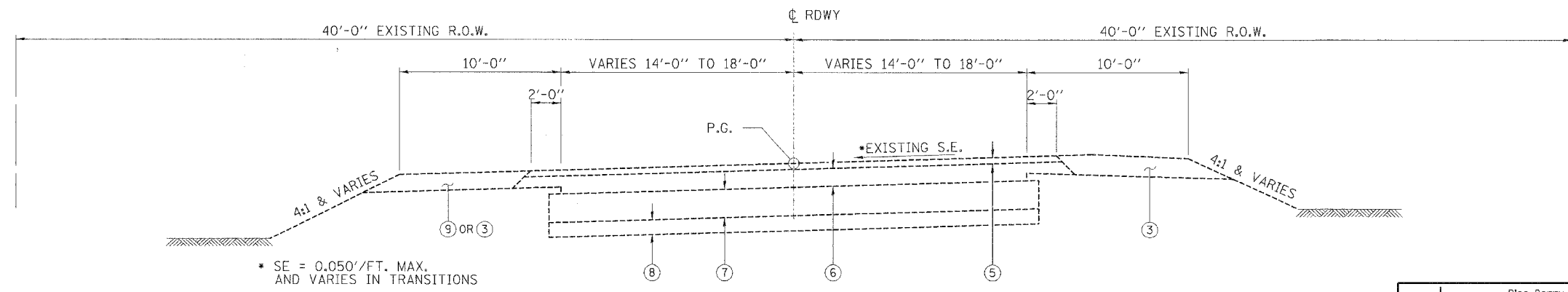
CONTRACT NO. 83806



EXISTING TYPICAL ROADWAY CROSS SECTION
STATION 119+50.00 TO 122+08.85



EXISTING TYPICAL ROADWAY CROSS SECTION
STATION 122+08.85 TO 124+60.00
STATION 125+07.00 TO 125+37.33



EXISTING TYPICAL ROADWAY CROSS SECTION
STATION 125+37.33 TO 129+00.00

NOTE: BITUMINOUS SHOULDERS (3) STA. 125+37.33 TO LT. STA. 125+55
AGGREGATE SHOULDERS (9) STA. 125+37.33 TO LT. STA. 129+00

LEGEND

- ① 1 1/2" BITUMINOUS CONCRETE SURFACE COURSE (EXISTING)
- 1/4" BITUMINOUS CONCRETE BINDER COURSE (EXISTING)
- ② AREA REFLECTIVE CRACK CONTROL FABRIC (EXISTING)
- ③ BITUMINOUS SHOULDERS, TY. B (6" THICK) (EXISTING)
- ④ 7 1/2" BITUMINOUS PAVEMENT (EXISTING)
- 6" AGGREGATE BASE
- ⑤ 1 1/2" BITUMINOUS CONCRETE SURFACE COURSE (EXISTING)
- ⑥ 7" BITUMINOUS CONCRETE BINDER COURSE (EXISTING)
- ⑦ 12" AGGREGATE SUBGRADE (EXISTING)
- ⑧ POROUS GRANULAR EMBANKMENT (EXISTING)
- ⑨ AGGREGATE SHOULDERS (6" THICK) (EXISTING)
- ⑩ BITUMINOUS CONCRETE PAVEMENT (FULL DEPTH), SUPERPAVE, 9 1/2"
- ⑪ AGGREGATE SUBGRADE 12"
- ⑫ BITUMINOUS SHOULDERS 6"
- ⑬ BITUMINOUS CONCRETE SURFACE COURSE, SUPERPAVE, MIX, D, N70, 1 1/2"
- ⑭ TEMPORARY RAMP AT 1:40 (SEE ARTICLE 406.18)
- ⑮ BITUMINOUS SURFACE REMOVAL - VARIABLE DEPTH
- ⑯ BITUMINOUS MATERIALS (PRIME COAT)
- ⑰ PAVEMENT REMOVAL
- ⑱ LEVELING BINDER (MACHINE METHOD) SUPERPAVE, N70
- ⑲ 4" TOP SOIL
- ⑳ GEOTECHNICAL FABRIC FOR GROUND STABILIZATION
- ㉑ BITUMINOUS CONCRETE SURFACE COURSE SUPERPAVE, MIX C, N50, 1 1/2"
- ㉒ BITUMINOUS CONCRETE BINDER COURSE SUPERPAVE IL 19.0, N50, 1 1/4"
- ㉓ AGGREGATE BASE COURSE, TYPE A (SPECIAL) 6"
- ㉔ AGGREGATE SHOULDERS, TYPE A (SPECIAL) 4"
- ㉕ BRIDGE APPROACH PAVEMENT (STANDARD 420401)
- ㉖ SUB-BASE GRANULAR MATERIAL, TY A, 4"
- ㉗ AGGREGATE FOR TEMPORARY ACCESS (4" MIN.)
- ㉘ EXISTING GUARDRAIL
- ㉙ PROPOSED GUARDRAIL
- ㉚ PAVEMENT REMOVAL

HLR
Rice, Berry and Associates
A Division of Hampton, Lenzini and Renwick, Inc.
Civil & Structural Engineers
801 S. Durkin Drive
Springfield, Illinois 62704
217-546-3400
P.O. Box 1036
DuQuoin, Illinois 62832
618-790-4637
Account Number 12-07-0047-1
Date: 05/23/04
DESIGNED: T.P.L. CHECKED: S.W.M. DRAWN: D.T.M.

EXISTING TYPICAL CROSS SECTIONS
SECTION 00-00068-07-BR
F.A.U. 3706 / C.H. 30 / KELSEY ROAD
LAKE COUNTY