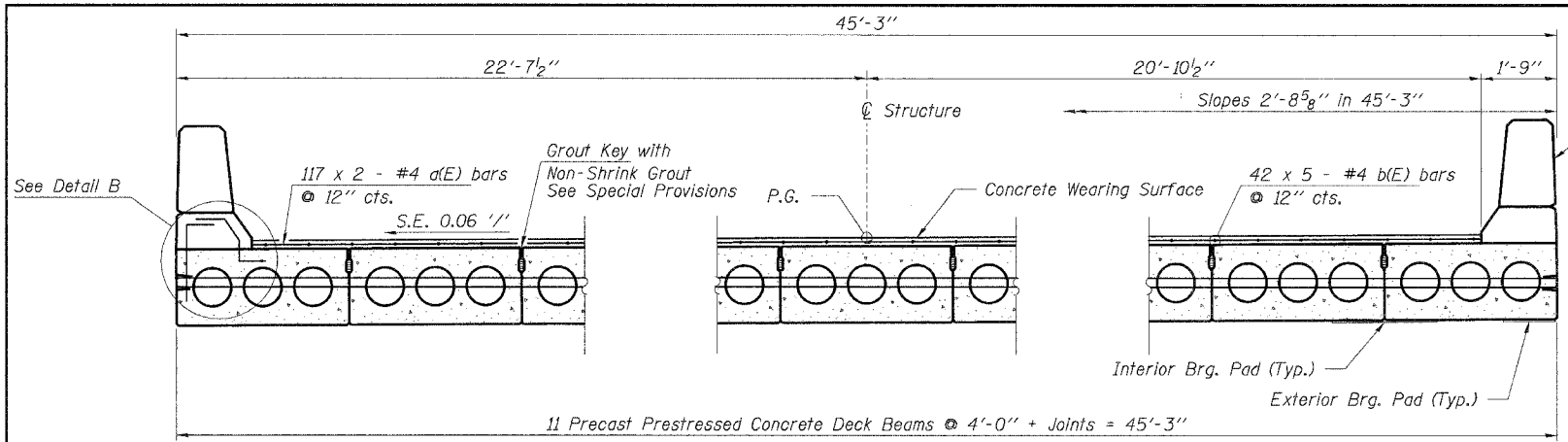
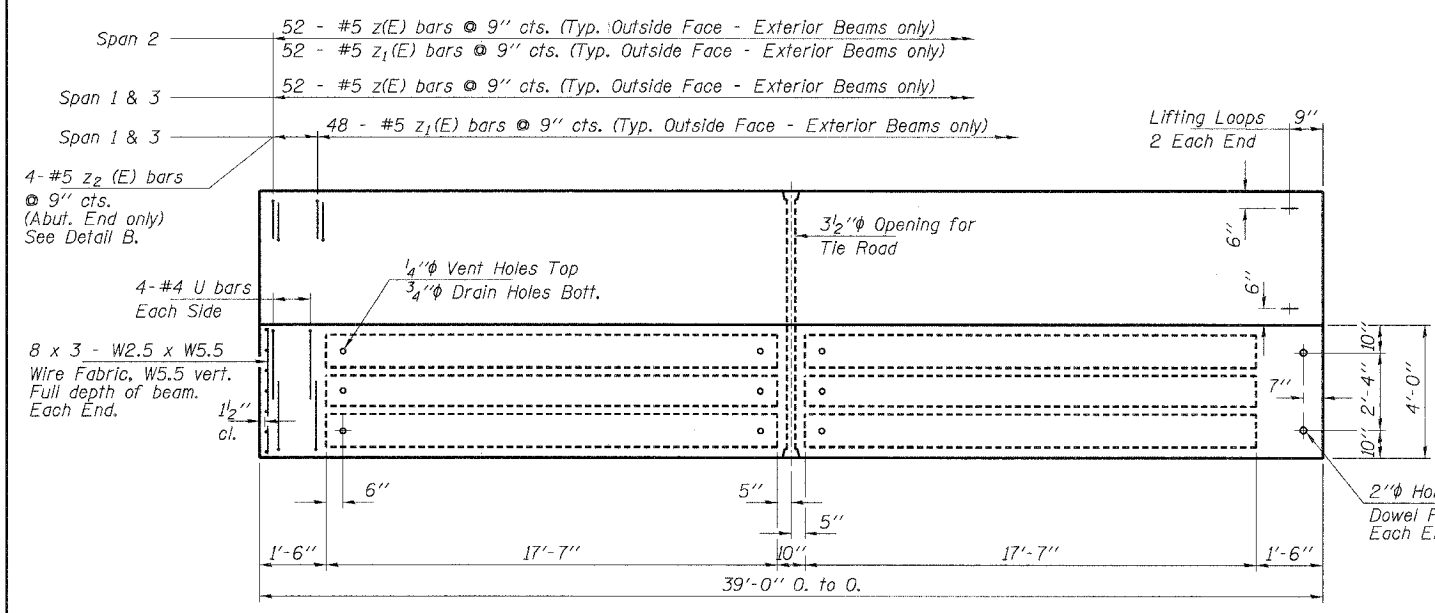


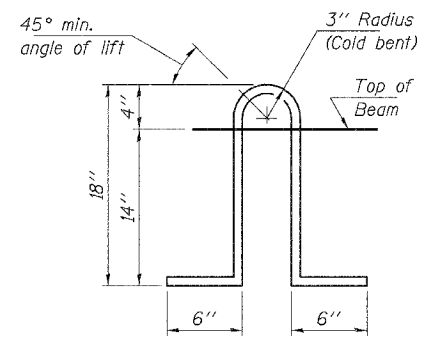
ROUTE NO.	SECTION	COUNTY	SHEET	SHEET
F.A.U. 3706	00-00068-07-BR	LAKE	50	26
FED. ROAD DIST. NO.		ILLINOIS		
		FED. AID PROJECT: BRM-7003876		



CROSS SECTION
(Looking Upstation)

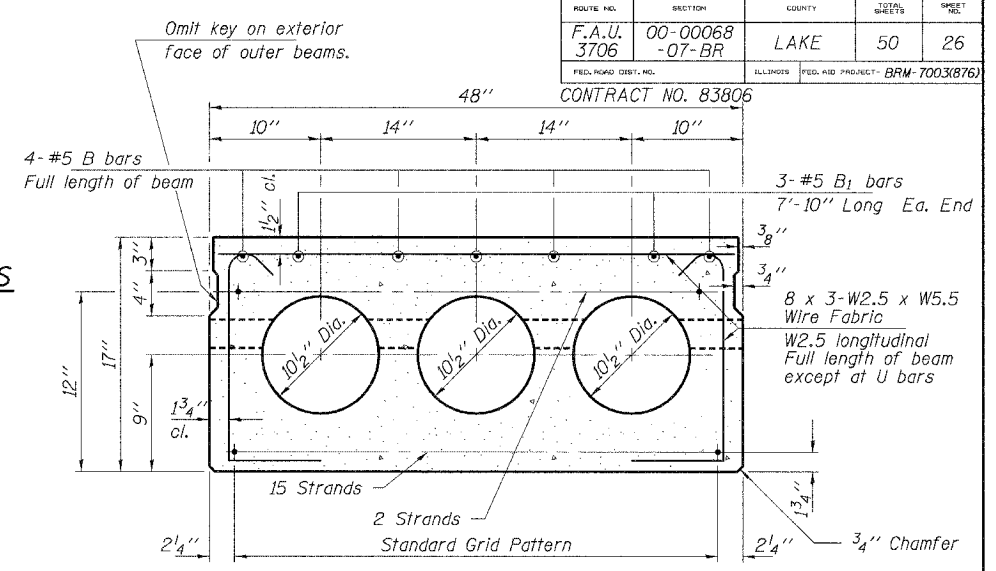


PLAN



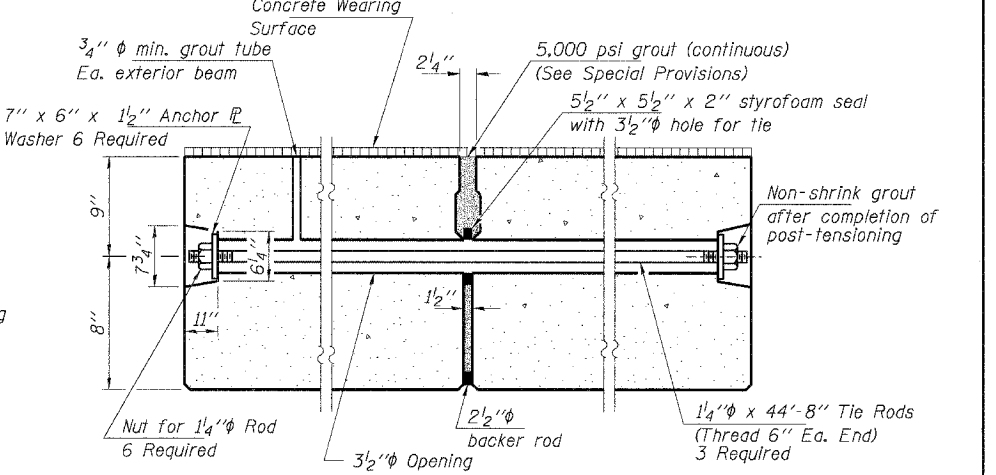
LIFTING LOOP DETAIL

Approved alternate may be substituted for the above. Weight of 1 Beam = 23,010 lbs.
 Note: The loop shall be formed in a manner such that all strands are engaged during lifting. Loops shall be cut off after beams have been erected.



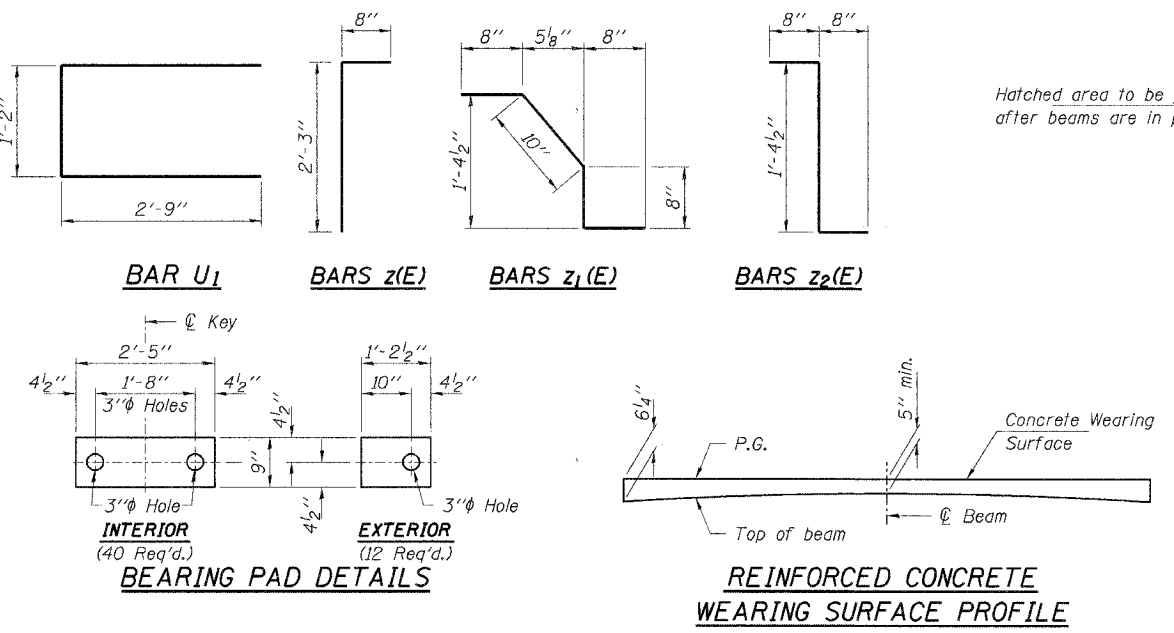
TYPICAL SECTION

17-1/2" φ Strands, Each Strand Stressed to 30,900 Lbs. 15-Strands 1 3/4" up, 2-Strands 12" up Expected Camber = 1/4"



TYPICAL POST-TENSIONED TRANSVERSE TIE ROD DETAIL

1 1/4" φ Threaded Bar tensioned to 120 kip max. transfer stress (Lockoff)



BILL OF MATERIAL

BAR	NO.	SIZE	LENGTH	SHAPE
a(E)	234	#4	21'-10"	—
b(E)	210	#4	25'-0"	—
Concrete Wearing Surface			Sq. Yd.	544
Protective Coat			Sq. Yd.	544
Bridge Deck Grooving			Sq. Yd.	544
Precast Prestressed Concrete Deck Beams (17" Depth)			Sq. Ft.	5,148
Reinforcement Bars, Epoxy Coated			Pound	6,920

Bars designated (E) shall be epoxy coated.
 Bars indicated thus 42x5-#4 etc. indicates 42 lines of bars with 5 lengths per line.

HLR
 Rice, Berry and Associates
 A Division of Hampton, Lenzini and Renwick, Inc.
 Civil & Structural Engineers
 801 S. Durkin Drive
 Springfield, Illinois 62704
 217-546-3400
 P.O. Box 1036
 DuQuoin, Illinois 62832
 618-790-4637
 Account Number 12-07-0047-1
 Date: 05/23/05
 DESIGNED: T.P.L. CHECKED: M.G.B. DRAWN: D.T.M.

SUPERSTRUCTURE
 SECTION 00-00068-07-BR
 F.A.U. 3706 / C.H. 30 / KELSEY ROAD
 LAKE COUNTY
 STATION 124+70