

SECTION A-A

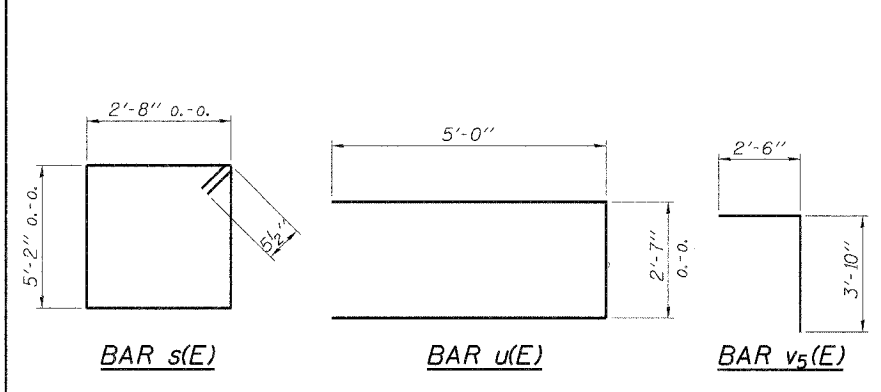
Hatched area to be poured after beams are in place.

BILL OF MATERIAL - WEST ABUT.

BAR	NO.	SIZE	LENGTH	SHAPE
h(E)	12	#7	12'-0"	—
h ₁ (E)	20	#5	12'-6"	—
h ₂ (E)	12	#5	23'-11"	—
p(E)	32	#6	24'-6"	—
s(E)	42	#5	16'-7"	□
u(E)	16	#6	12'-7"	▭
v(E)	8	#5	7'-0"	—
v ₁ (E)	12	#5	5'-3"	—
v ₂ (E)	12	#5	3'-5"	—
v ₃ (E)	12	#5	2'-4"	—
v ₄ (E)	90	#5	3'-6"	—
v ₅ (E)	44	#5	6'-4"	—
Concrete Structures		Cu. Yd.	35.8	
Reinforcement Bars, Epoxy Coated		Pound	3,880	
Name Plate		Each	1	
Steel Piles HP12x53		Foot	420	
Concrete Encasement		Cu. Yd.	3.4	
Clear Protective Coating for Conc.		Sq. Ft.	370	

Bars designated (E) shall be epoxy coated.

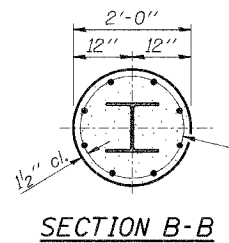
Bars indicated thus 16x2 - #6 etc. indicates 16 lines of bars with 2 lengths per line.



ELEVATION

PILE DATA

Type	Steel HP12x53
No. Req'd.	7
Design Capacity	43 Tons/Pile
Required Bearing Capacity	65 Tons/Pile
Est. Length	60 Feet/Pile



Welded wire fabric 6x6-W4.0xW4.0 weighing 58#/100 sq. ft. The cost of Excavation, Reinforcement, and Concrete Encasement is incidental to the cost of Furnishing Steel Piles. Form for encasement may be omitted when soil conditions will permit.

MIN. BAR LAPS

#5 Bar = 1'-9"
#6 Bar = 2'-8"

TOP OF PILE ELEVATIONS

Location	Pile 7	Pile 6	Pile 5	Pile 4	Pile 3	Pile 2	Pile 1
W. Abut.	750.96	750.54	750.12	749.70	749.28	748.86	748.44

HLR
Rice, Berry and Associates
A Division of Hampton, Lenzini and Renwick, Inc.
Civil & Structural Engineers
801 S. Durkin Drive
Springfield, Illinois 62704
217-546-3400
P.O. Box 1036
DuQuoin, Illinois 62832
618-790-4637
Account Number 12-07-0047-1
Date: 05/23/05
DESIGNED: T.P.L. CHECKED: S.W.M. DRAWN: D.T.M.

WEST ABUTMENT
SECTION 00-00068-07-BR
F.A.U. 3706 / C.H. 30 / KELSEY ROAD
LAKE COUNTY
STATION 124+70