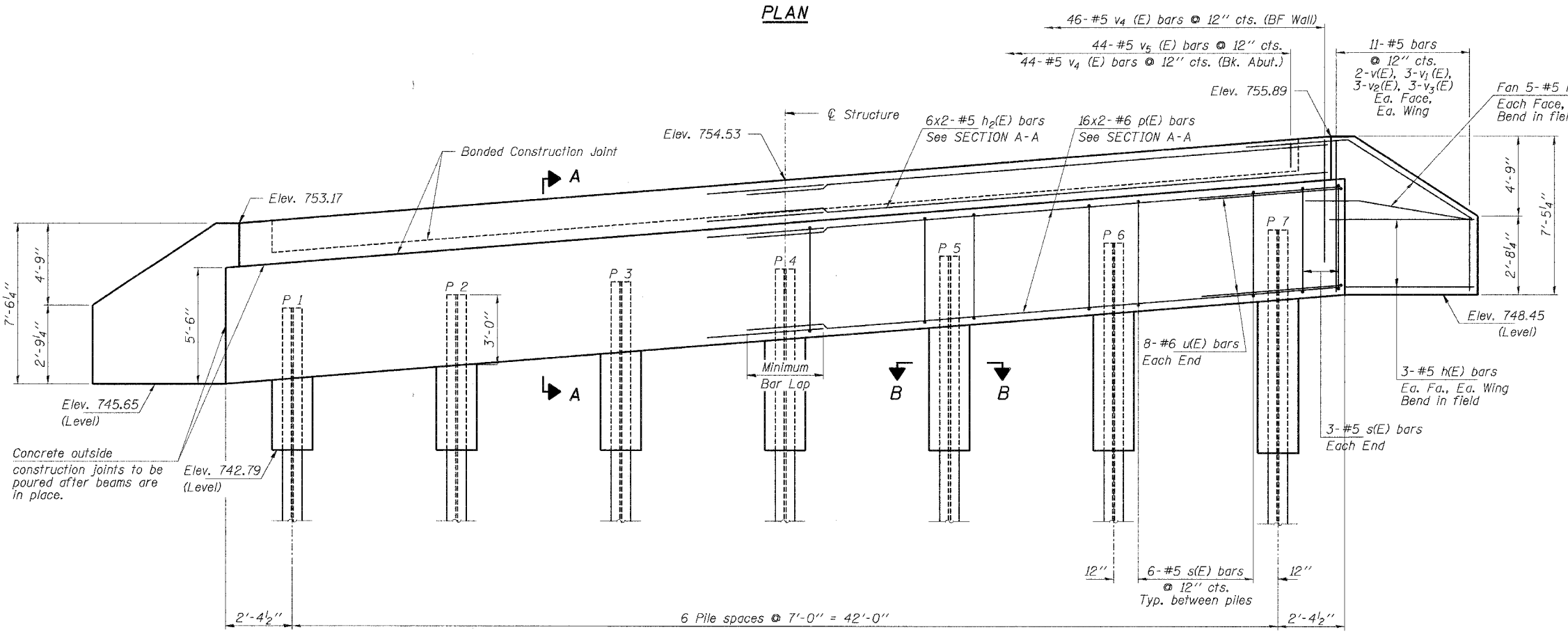
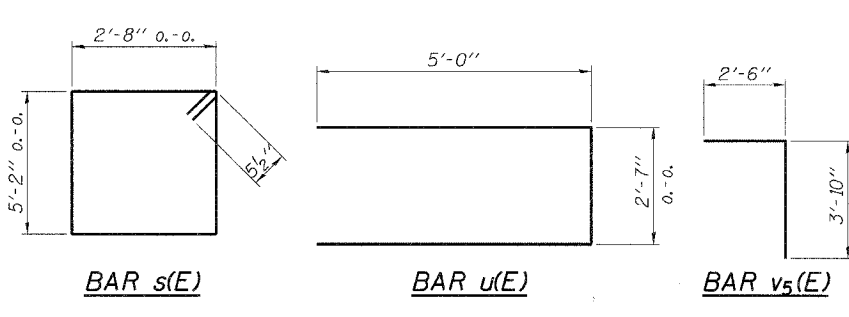


PLAN



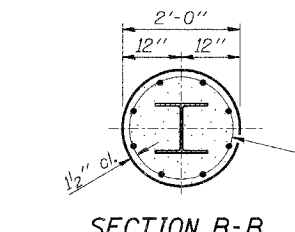
ELEVATION



PILE DATA

Type	Steel HP12x53
No. Req'd	7
Design Capacity	43 Tons/Pile
Required Bearing Capacity	65 Tons/Pile
Est. Length	60 Feet/Pile

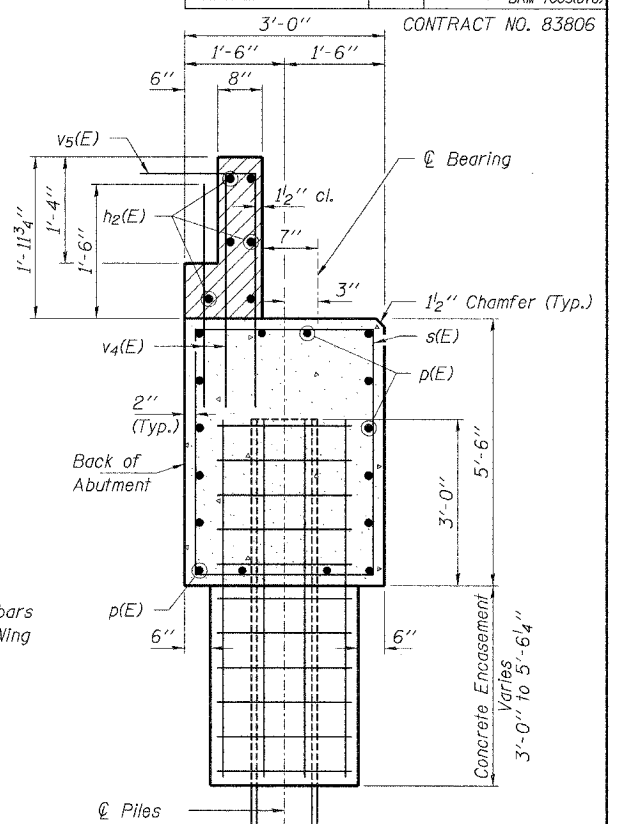
* Includes one Steel Test Pile to be driven in a permanent location.



SECTION B-B

TOP OF PILE ELEVATIONS

Location	Pile 1	Pile 2	Pile 3	Pile 4	Pile 5	Pile 6	Pile 7
E. Abut.	748.80	749.22	749.64	750.06	750.48	750.90	751.32



SECTION A-A

Hatched area to be poured after beams are in place.
BILL OF MATERIAL - EAST ABUT.

BAR	NO.	SIZE	LENGTH	SHAPE
h(E)	12	#7	12'-0"	—
h1(E)	20	#5	12'-6"	—
h2(E)	12	#5	23'-11"	—
p(E)	32	#6	24'-6"	—
s(E)	42	#5	16'-7"	□
u(E)	16	#6	12'-7"	≡
v(E)	8	#5	7'-0"	—
v1(E)	12	#5	5'-3"	—
v2(E)	12	#5	3'-5"	—
v3(E)	12	#5	2'-4"	—
v4(E)	90	#5	3'-6"	—
v5(E)	44	#5	6'-4"	—
Concrete Structures		Cu. Yd.		35.8
Reinforcement Bars, Epoxy Coated		Pound		3,880
Steel Piles HP12x53		Foot		360
Test Pile Steel HP12x53		Each		1
Concrete Encasement		Cu. Yd.		3.4
Clear Protective Coating for Conc.		Sq. Ft.		370

Bars designated (E) shall be epoxy coated.
Bars indicated thus 16x2 - #6 etc. indicates 16 lines of bars with 2 lengths per line.

MIN. BAR LAPS
#5 Bar = 1'-9"
#6 Bar = 2'-8"

HLR
Rice, Berry and Associates
A Division of Hampton, Lenzini and Renwick, Inc.
Civil & Structural Engineers
801 S. Durkin Drive
Springfield, Illinois 62704
217-546-3400
P.O. Box 1036
DuQuoin, Illinois 62832
618-790-4631
Account Number 12-07-0047-1
Date: 05/23/05
DESIGNED: T.P.L. CHECKED: S.W.M. DRAWN: D.T.M.

EAST ABUTMENT
SECTION 00-00068-07-BR
F.A.U. 3706 / C.H. 30 / KELSEY ROAD
LAKE COUNTY
STATION 124+70