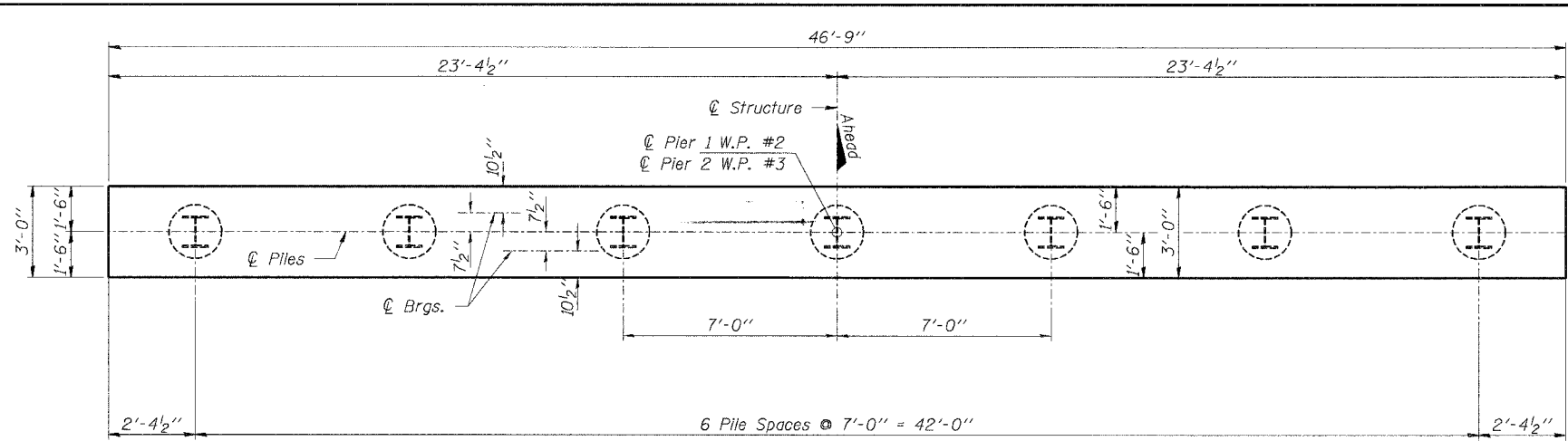
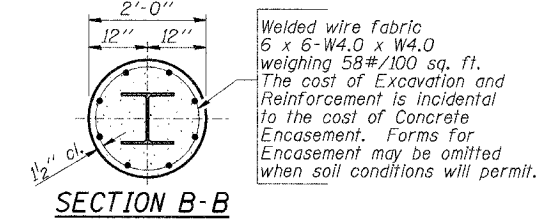
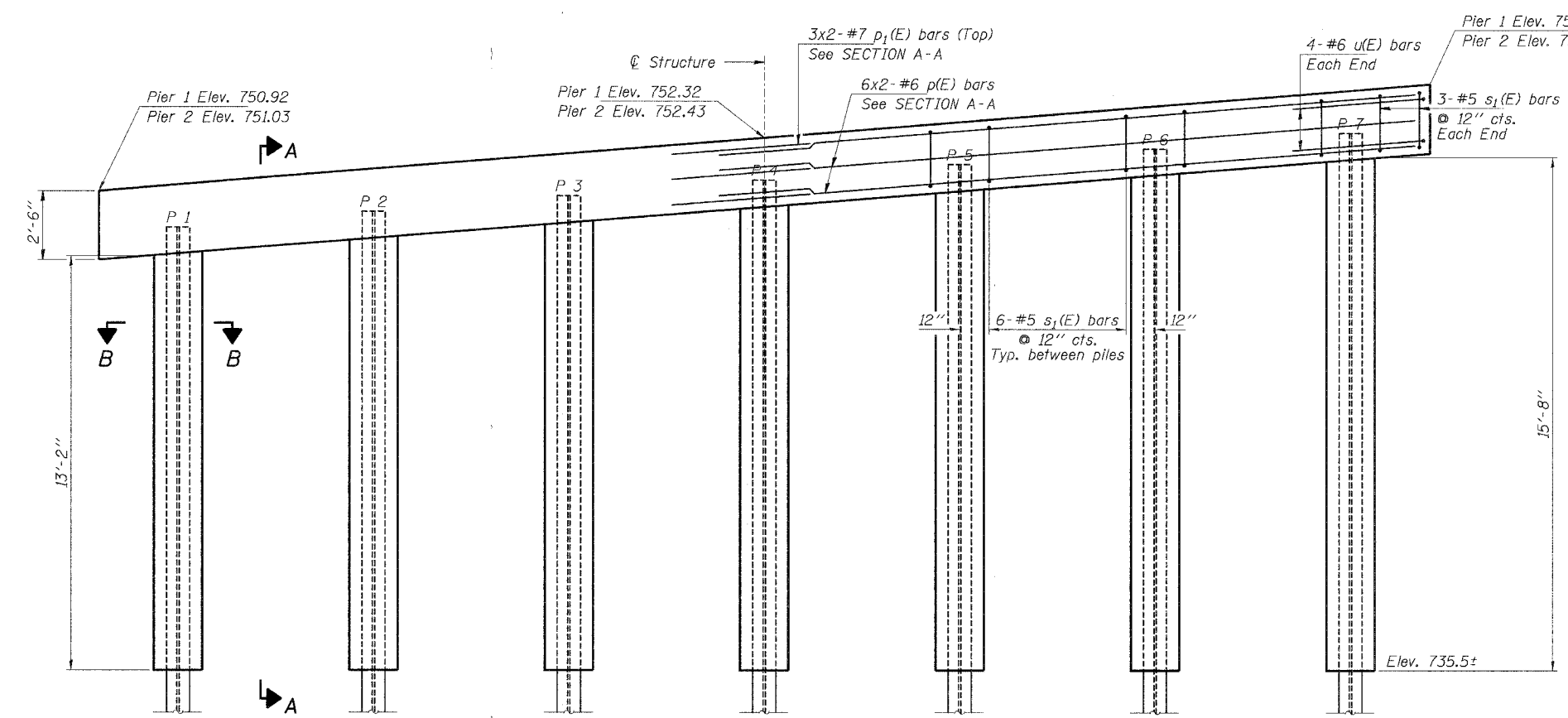
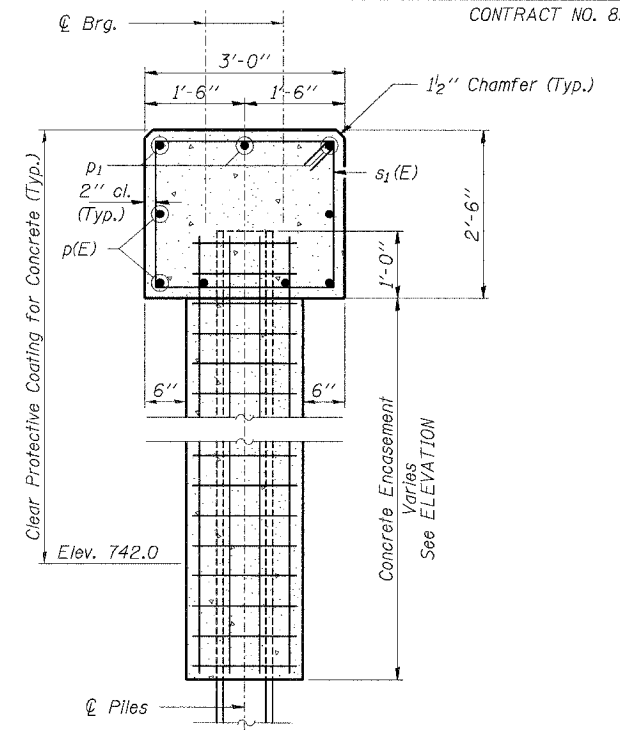


ROUTE NO.	SECTION	COUNTY	SHEET	TOTAL SHEETS
F.A.U. 3706	00-00068-07-BR	LAKE	50	31
FED. ROAD DIST. NO.	ILLINOIS	FED. AID PROJECT	BRM-7003(876)	

CONTRACT NO. 83806



MIN. BAR LAPS
 #6 bar = 2'-8"
 #7 bar = 3'-7"



BILL OF MATERIAL - 2 PIERS

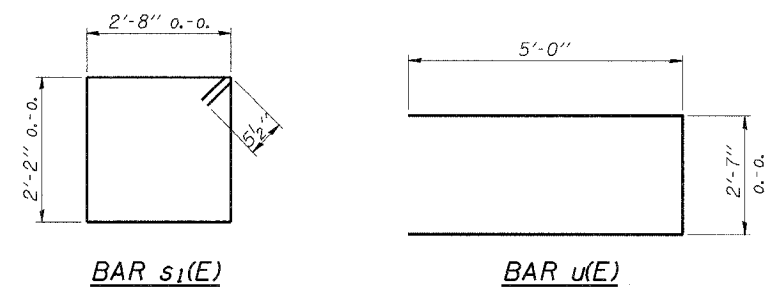
BAR	NO.	SIZE	LENGTH	SHAPE
p(E)	24	#6	24'-6"	—
p1(E)	12	#7	25'-0"	—
s1(E)	84	#5	10'-7"	□
u(E)	16	#6	12'-7"	—
Concrete Structures			Cu. Yd.	26.0
Reinforcement Bars, Epoxy Coated			Pound	2,730
Steel Piles HP12x53			Foot	780
Test Pile Steel HP12x53			Each	1
Concrete Encasement			Cu. Yd.	23.2
Clear Protective Coating for Conc.			Sq. Ft.	1,190

PILE DATA

Type.....Steel HP12x53
 No. Req'd. (2 Piers).....*14
 Design Capacity.....46 Tons/Pile
 Required Bearing Capacity.....69 Tons/Pile
 Est. Length.....60 Feet/Pile

* Includes one Steel Test Pile to be driven in a permanent location at Pier 1.

Bars designated (E) shall be epoxy coated.
 Bars indicated thus 16x2 - #6 etc. indicates 16 lines of bars with 2 lengths per line.



TOP OF PILE ELEVATIONS

Location	Pile 1	Pile 2	Pile 3	Pile 4	Pile 5	Pile 6	Pile 7
Pier 1	749.56	749.98	750.40	750.82	751.24	751.66	752.08
Pier 2	749.68	750.10	750.52	750.94	751.36	751.78	752.20

HLR
 Rice, Berry and Associates
 A Division of Hampton, Lenzini and Renwick, Inc.
 Civil & Structural Engineers
 801 S. Durkin Drive
 Springfield, Illinois 62704
 217-546-3400
 P.O. Box 1036
 DuQuoin, Illinois 62832
 618-790-4637
 Account Number 12-07-0047-1
 Date: 05/23/05
 DESIGNED: T.P.L. CHECKED: S.W.M. DRAWN: D.T.M.

PIERS
 SECTION 00-00068-07-BR
 F.A.U. 3706 / C.H. 30 / KELSEY ROAD
 LAKE COUNTY
 STATION 124+70