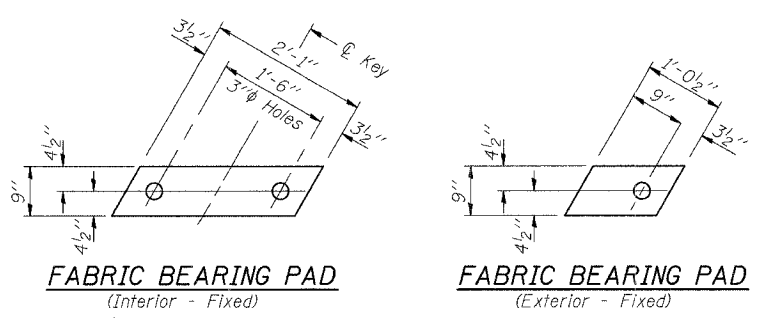
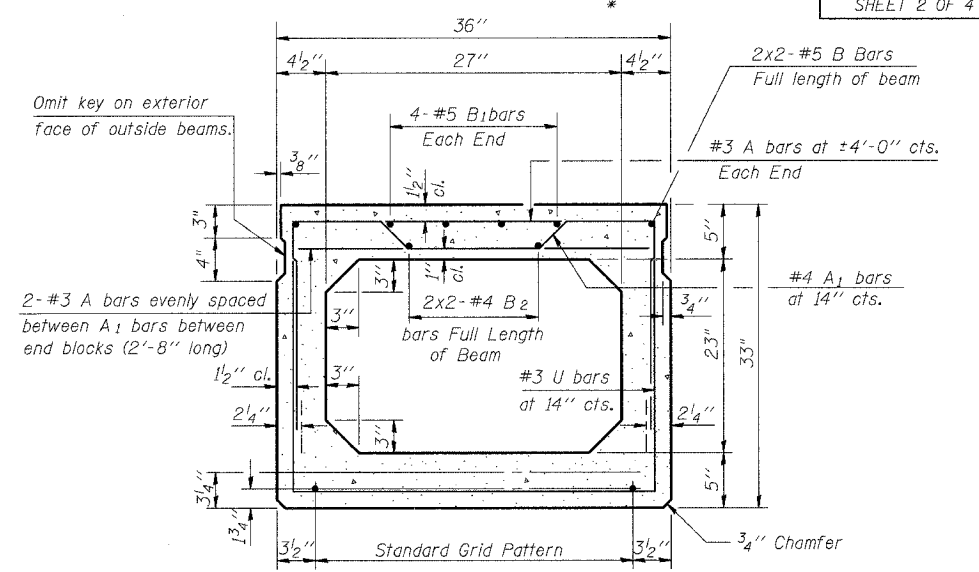
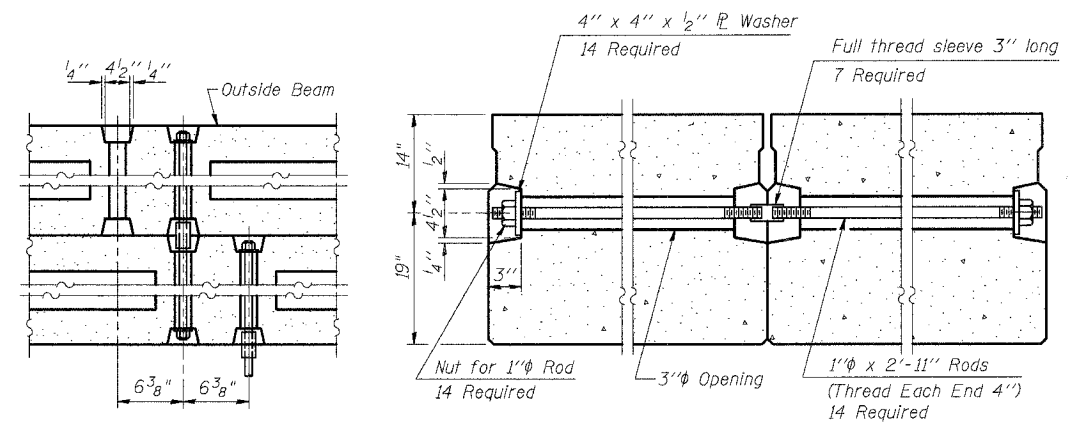


ROUTE NO.	SECTION	COUNTY	TOTAL SHEETS	SHEET NO.
TR 352	99-24115-00-BR	SHELBY	15	13
FED. ROAD DIST. NO. 7		ILLINOIS PROJECT	SHEET 2 OF 4	

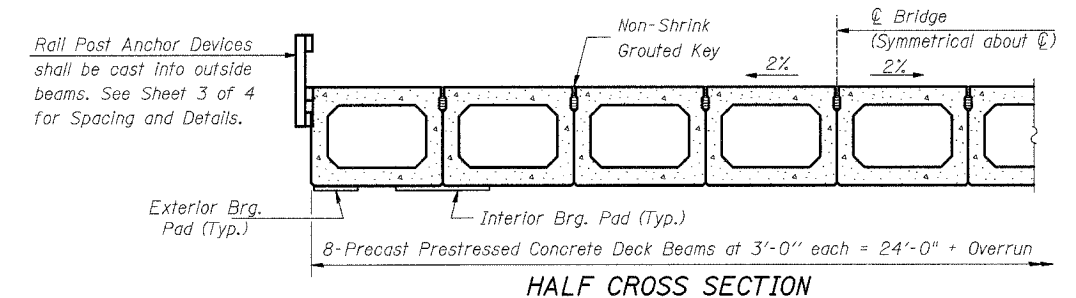
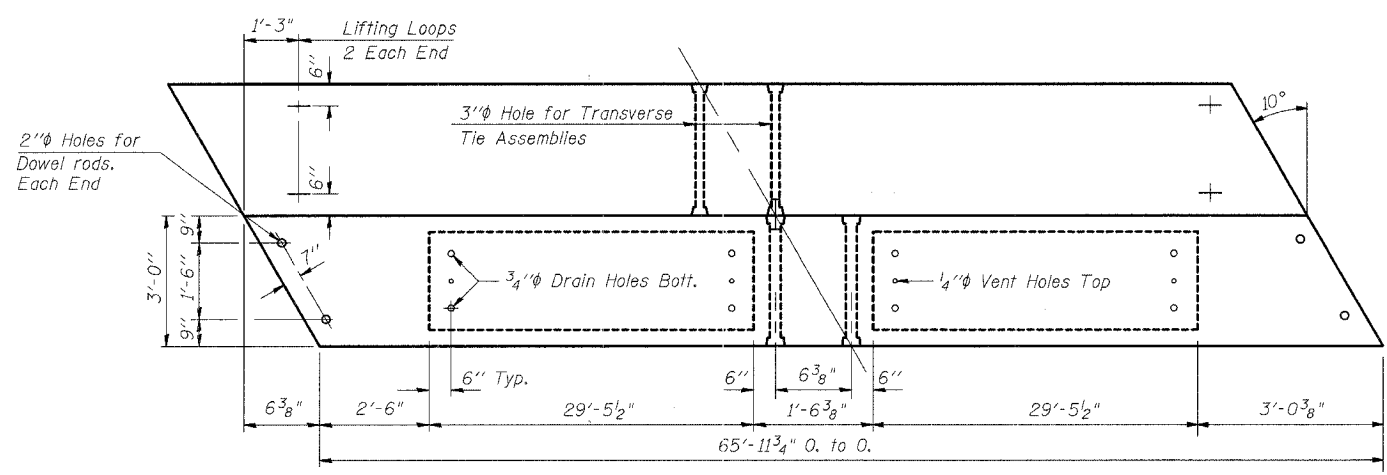
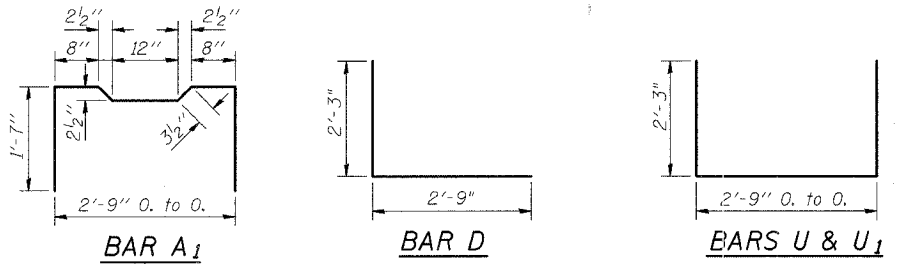


**FIXED**



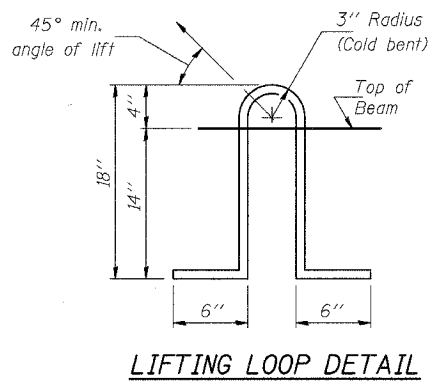
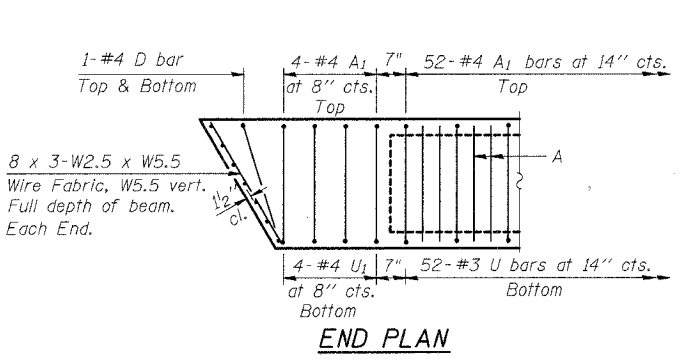
Note: Place strands symmetrically about  $\bar{C}$  of beam.

14- $\frac{1}{2}$ "  $\phi$  Strands, Each Strand Stressed to 28,900 Lbs.  
10-Strands  $1\frac{3}{4}$ " up, 2-Strands  $3\frac{1}{4}$ " up, 2 Strands 6" up



**BILL OF MATERIAL**  
(Bar List for One Beam Only)

Bar	No.	Size	Length	Shape	
A	102	#3	2'-8"	—	
A <sub>1</sub>	60	#4	6'-1"	⌒	
B	4	#5	23'-5"	—	
B <sub>1</sub>	8	#5	12'-0"	—	
B <sub>2</sub>	4	#4	23'-2"	—	
D	4	#4	5'-2"	L	
U	52	#3	7'-3"	⌒	
U <sub>1</sub>	8	#4	7'-3"	⌒	
Precast Prestressed Conc. Deck Bms. (33")				Sq. Ft.	1584



**NOTES**

Prestressing steel shall be uncoated high strength, low relaxation 7-wire strand, Grade 270. The nominal diameter shall be  $\frac{1}{2}$ " and the nominal cross-sectional area shall be 0.153 sq. in. Lifting loops shall be 3- $\frac{1}{2}$ "  $\phi$  270 ksi strands, as shown. The 1"  $\phi$  rods in the transverse tie assembly shall be tightened to a snug fit and the threads set. Pockets that receive transverse tie bar on outside shall be filled with grout after transverse tie assembly is in place. Non-prestressing Steel shall conform to the requirements of AASHTO M-31, M-42 or M-53 Grade 60. The bearing seat surfaces shall be adjusted by shimming to assure firm and even bearing. Two  $\frac{1}{8}$ " fabric adjusting shims of the dimensions of the Exterior Bearing Pad shall be provided for each bearing. Keyway surfaces shall be cleaned to remove form oil or other bond breaking material prior to shipment of the beams. Cleaning shall be done by sandblasting the keyway areas between top of the beam and the bottom edge of the key. Required Release Strength, f'ci, shall be 4000 p.s.i. See Contract Special Provisions.

**P.P.C. DECK BEAM DETAILS**  
**T.R. 352 OVER SAND CREEK**  
**SEC. 99-24115-00-BR**  
**SHELBY COUNTY**  
**S.N. 087-3513**  
**STA. 10+00.00**

**ie consultants**

DESIGNED: D.R.B.	CHECKED: D.R.B.
DRAWN: T.H.W.	DATE: 5/25/05