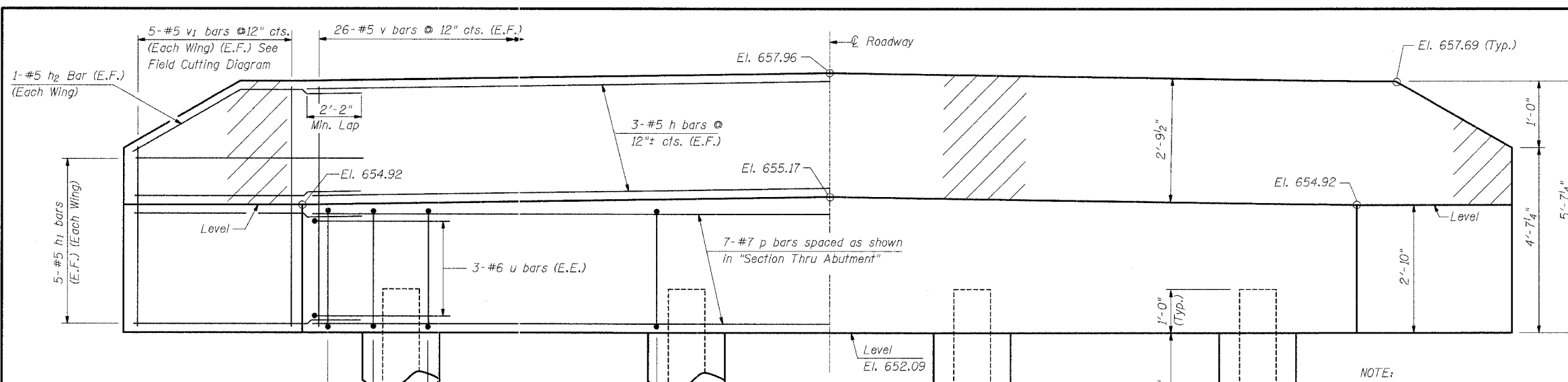
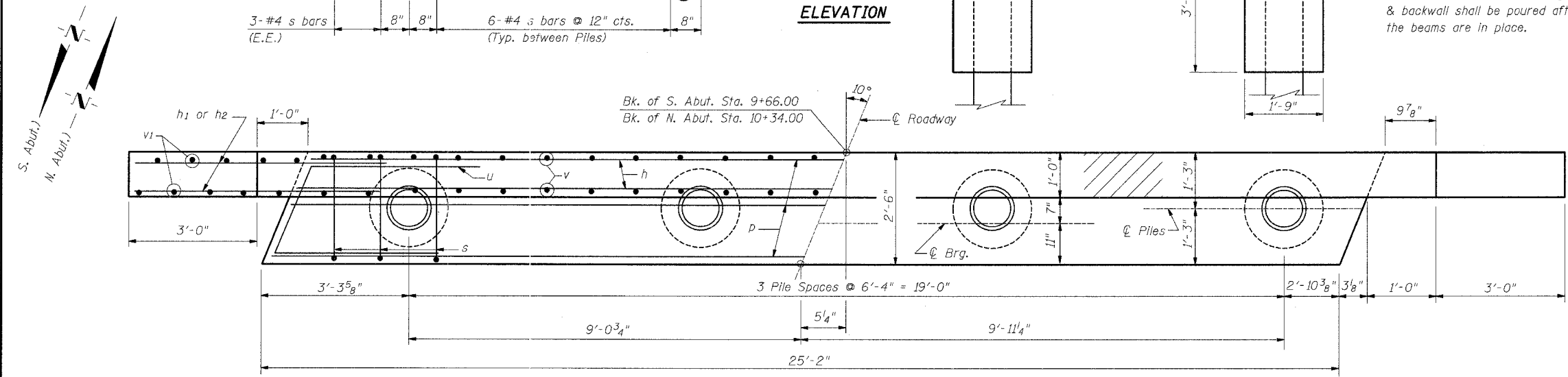


ROUTE NO.	SECTION	COUNTY	TOTAL SHEETS	SHEET NO.
TR 352	99-24115-00-BR	SHELBY	15	15
FED. ROAD DIST. NO. 7		ILLINOIS PROJECT		

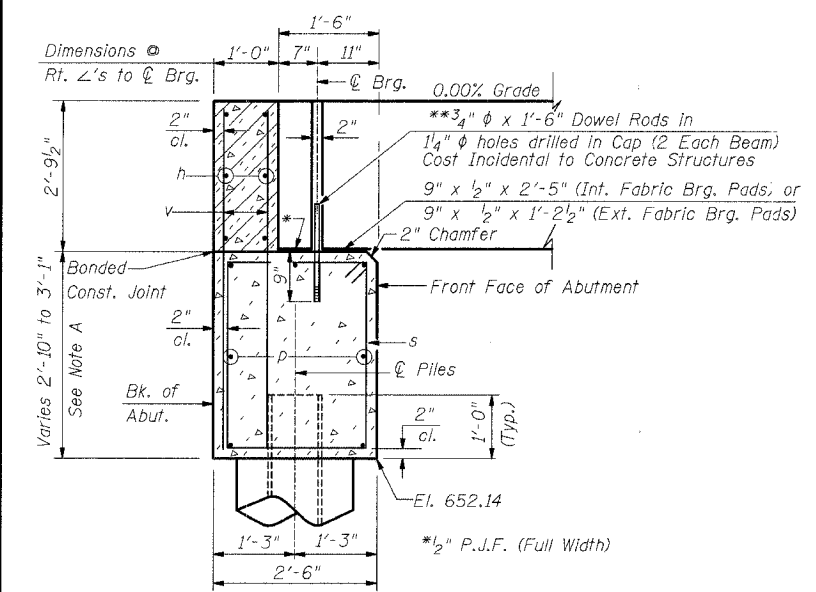


ELEVATION

NOTE:
The hatched area of the wingwalls & backwall shall be poured after the beams are in place.

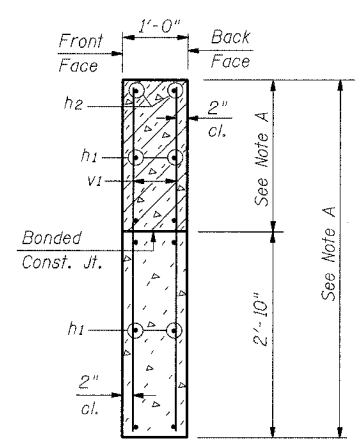


PLAN



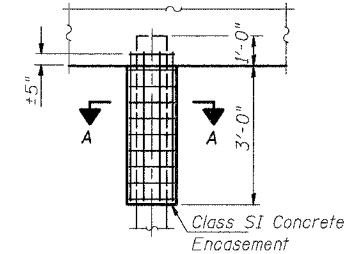
SECTION THRU ABUTMENT

** Dowel Rods to be grouted after beams are in place and prior to grouting the shear keys, using non-shrink grout.



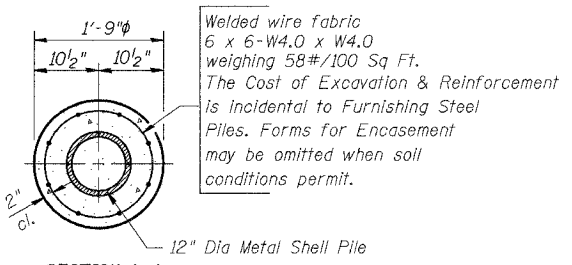
SECTION THRU WINGWALLS

NOTE A: See Elev. given on Elev. View

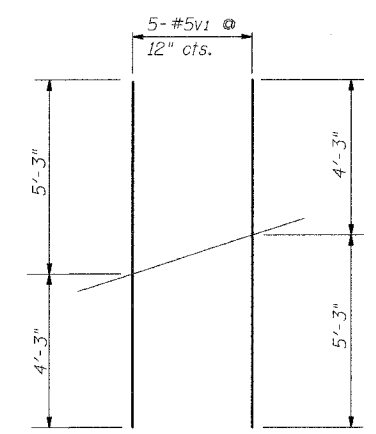


SECTION A-A

PILE ENCASEMENT DETAIL



12" Dia Metal Shell Pile



FIELD CUTTING DIAGRAM

Order v1 bars full length, cut to fit in field and place remainder in opposite face of wall.

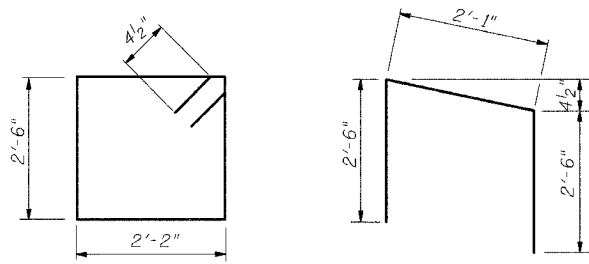
BILL OF MATERIAL
(2 Abutments)

Bar	No.	Size	Length	Shape
h	12	#5	24'-9"	—
h1	40	#5	6'-6"	—
h2	8	#5	6'-6"	—
p	14	#7	24'-9"	—
s	48	#4	10'-1"	□
u	12	#6	7'-1"	□
v	104	#5	5'-3"	—
v1	20	#5	9'-6"	—

ITEM	UNIT	QUANTITY
Reinforcement Bars	Pound	2570
Concrete Structures	Cu. Yd.	22.1
Furnishing Metal Pile Shells	Foot	282
Driving and Filling Shells	Foot	282
Test Pile Metal Shells	Each	2
Structure Excavation	Cu. Yd.	43
Concrete Encasement	Cu. Yd.	2.2

PILE DATA

- Type = 12" Dia Metal Shell Piles
- Capacity Required = 45 Ton
- Estimated Length = 39' (North Abut.), 55' (South Abut.)
- Number Req'd. = 8 (Including 1 Test Pile @ Each Abut.)



BAR s

BAR u

BAR h2

ABUTMENT DETAILS
T.R. 352 OVER SAND CREEK
SEC. 99-24115-00-BR
SHELBY COUNTY
S.N. 087-3513
STA. 10+00.00

ie consultants

DESIGNED: D.R.B. CHECKED: D.R.B.
DRAWN: T.H.W. DATE: 5/25/05