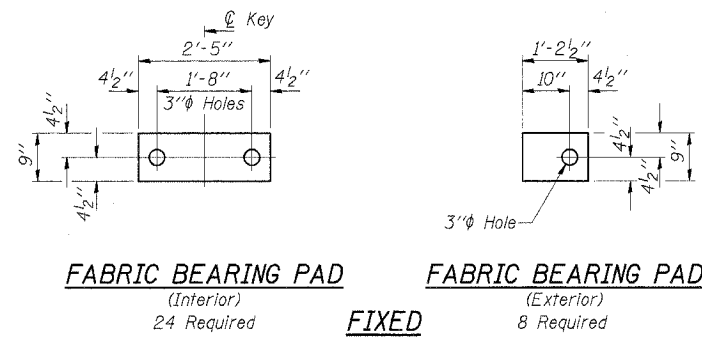
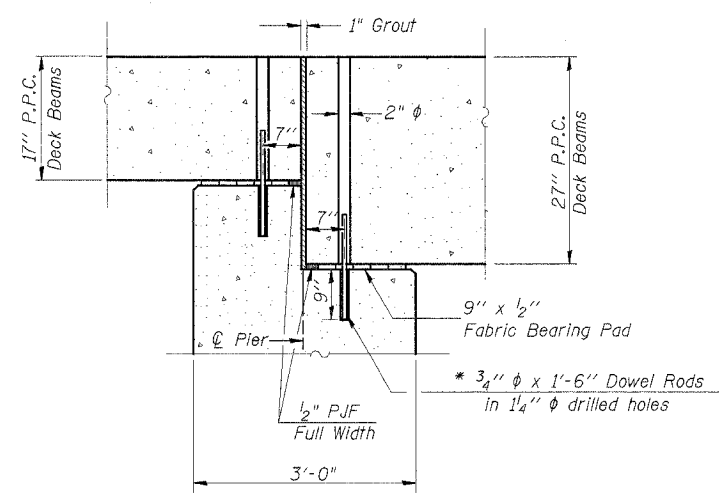
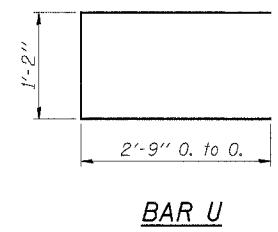


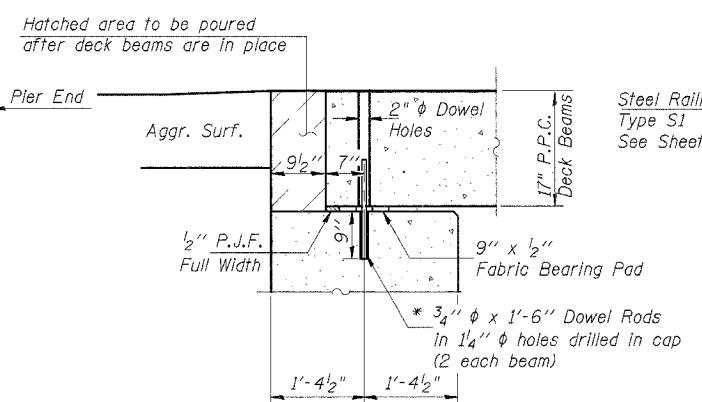
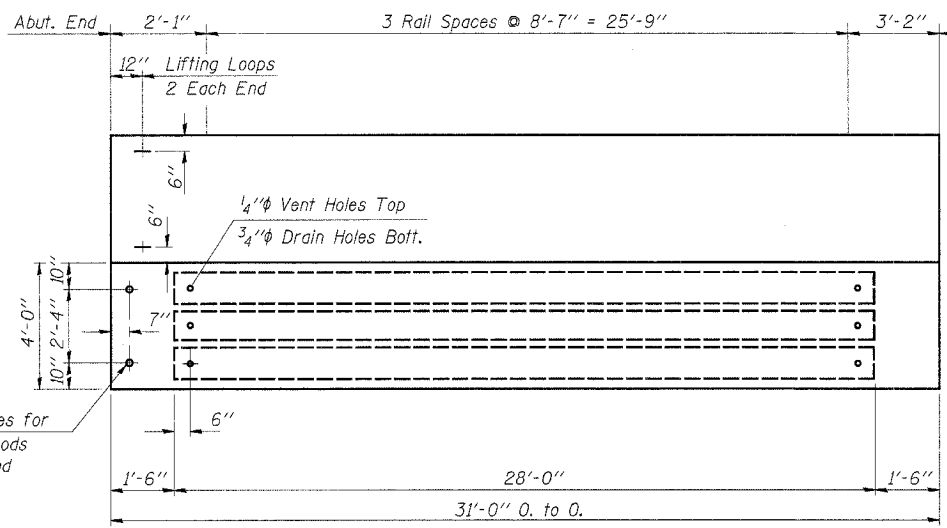
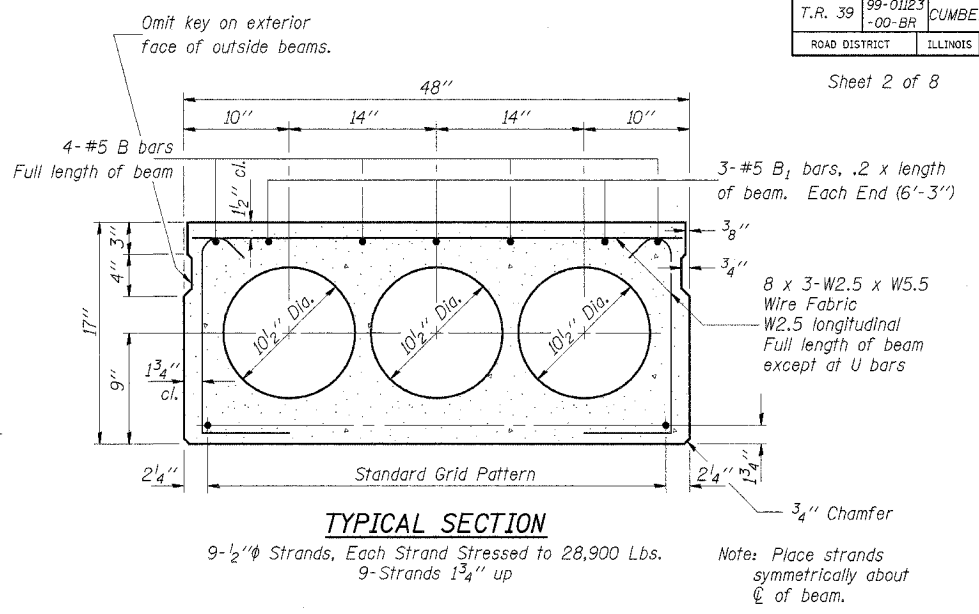
ROUTE NO.	SECTION	COUNTY	TOTAL SHEETS	SHEET NO.
T.R. 39	99-01123-00-BR	CUMBERLAND	11	5
ROAD DISTRICT	ILLINOIS	COTTONWOOD		



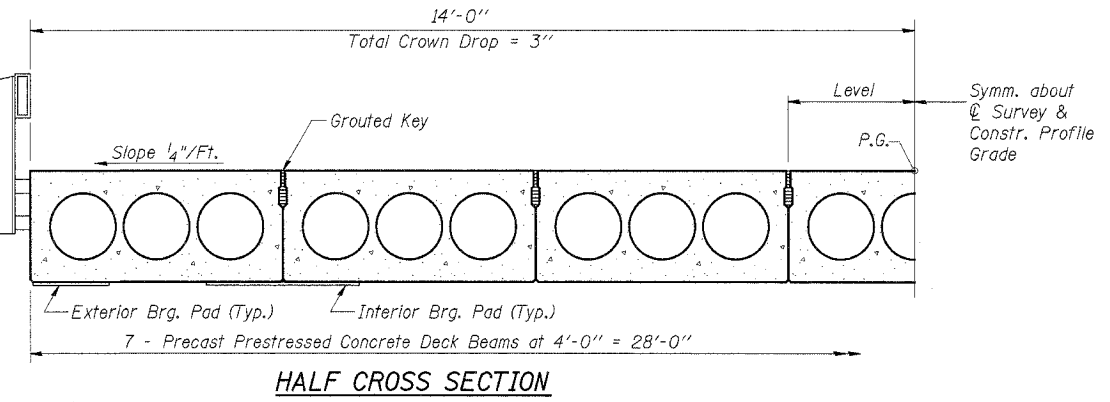
FIXED



* Note: After beams are in place, 1/4" holes shall be drilled into the Substructure, and the dowel rods grouted in place and allowed to cure (Min. 24 Hrs.) prior to grouting shear key.



* Dowel Rods to be grouted after beams are in place and allowed to cure (Min. 24 hrs.) prior to grouting the shear keys.



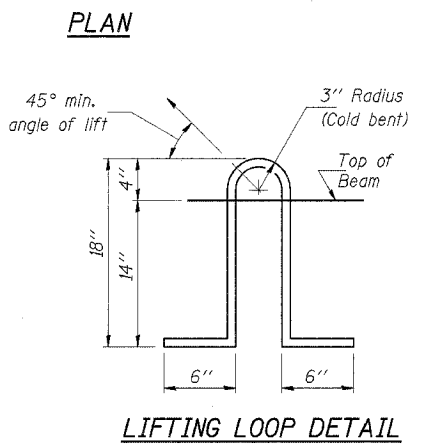
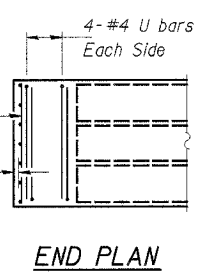
NOTES

Prestressing steel shall be uncoated high strength, stress-relieved 7-wire strand, Grade 270. The nominal diameter shall be 1/2" and the nominal cross-sectional area shall be 0.153 sq. in. Lifting loops shall be 2-1/2"-270 ksi strands, as shown. The 1" rods in the transverse tie assembly shall be tightened to a snug fit and the threads set. Pockets that receive transverse tie bar on outside shall be filled with grout after transverse tie assembly is in place. Reinforcement bars shall conform to the requirements of AASHTO M-31, M-42 or M-53 Grade 60. The bearing seat surfaces shall be adjusted by shimming to assure firm and even bearing. Two 1/8" fabric adjusting shims of the dimensions of the Exterior Bearing Pad shall be provided for each bearing. (64 Required) Keyway surfaces shall be cleaned to remove form oil or other bond breaking material prior to shipment of the beams. Cleaning shall be done by sandblasting the keyway areas between top of the beam and the bottom edge of the key. Required Release Strength, f'ci, shall be 4000 p.s.i. An equal substitution of the low-relaxation strands for the stress-relieved strands will be permitted. Longitudinal shear keys shall be grouted with an approved non-shrink grout. See Special Provisions for review and distribution of shop drawings. Rail post anchor devices shall be cast into outside beam as elsewhere specified.

BILL OF MATERIAL

Item	Unit	Quantity
Precast Prestressed Concrete Deck Beams (17" Depth)	Sq. Ft.	1,736

Estimated Total Weight (One Beam) = 19,420 Pounds



DESIGNED	M.E.B.
CHECKED	F.J.S.
DRAWN	R.S.J.
CHECKED	F.J.S.

SUPERSTRUCTURE - SPANS 1 & 3

SECTION 99-01123-00-BR
COTTONWOOD ROAD DISTRICT
CUMBERLAND COUNTY
STATION 5+09.25

4440 ASH GROVE
SPRINGFIELD, IL 62707
(217) 793-8600
oasinc@tamvid.com

OZYURT AND STONE, INC.
CONSULTING ENGINEERS

JOB NO.: 0018.5
FILE: SUPER13.DGN
DATE: 02-19-03