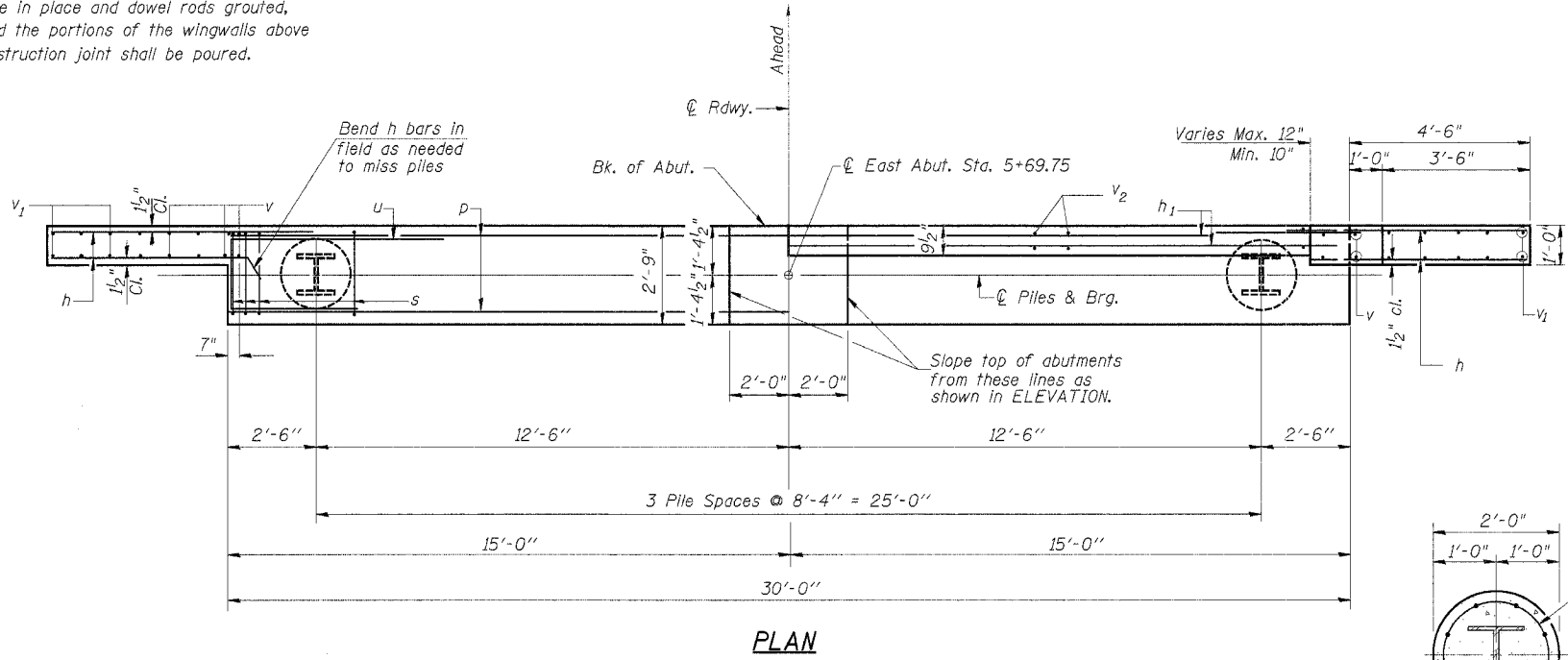


* Cut h bars in Front Face of Wingwall, above Bonded Construction Joint, as required to fit.

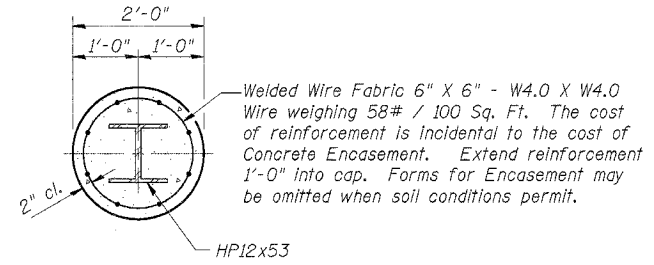
NOTE: After beams are in place and dowel rods grouted, the backwall and the portions of the wingwalls above the bonded construction joint shall be poured.



Note: Extend h bars into pile cap.

BILL OF MATERIAL - E. ABUT.

BAR	NO.	SIZE	LENGTH	SHAPE
h	28	#5	6'-1"	—
h ₁	6	#4	32'-0"	—
p	10	#6	29'-8"	—
s	30	#5	10'-9"	□
u	8	#6	12'-4"	—
v	16	#5	4'-0"	—
v ₁	12	#5	3'-2"	—
v ₂	56	#4	3'-2"	—
Concrete Structures			Cu. Yd.	11.6
Reinforcement Bars			Pound	1,470
Steel Piles HP12x53			Foot	78
Concrete Encasement			Cu. Yd.	1.4
Test Pile Steel HP12x53			Each	1



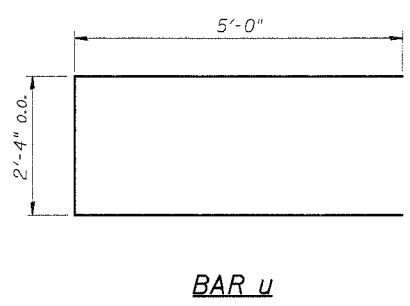
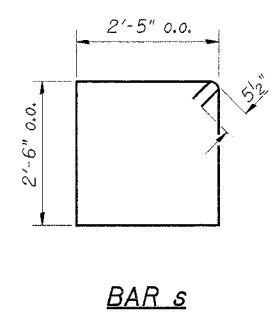
SECTION B-B

PILE DATA

Type _____ Steel HP12x53
 No. Req'd. _____ **4
 Capacity _____ Drive to Refusal
 Est. Length _____ 26 Feet/Pile

**Includes one Test Pile to be driven in a permanent location at the East Abutment.

DESIGNED	M.E.B.
CHECKED	F.J.S.
DRAWN	R.S.J.
CHECKED	F.J.S.



EAST ABUTMENT
 SECTION 99-01123-00-BR
 COTTONWOOD ROAD DISTRICT
 CUMBERLAND COUNTY
 STATION 5+09.25

4440 ASH GROVE SPRINGFIELD, IL 62707 (217) 793-8600 oasinc@famvid.com	OZYURT AND STONE, INC. CONSULTING ENGINEERS	JOB NO.: 0018.5 FILE: ABUT2.DGN DATE: 02-19-03
--------------------------------------------------------------------------------	-------------------------------------------------------	------------------------------------------------------